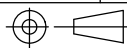


DRAWING No

P-9621

DO NOT SCALE

DIMENSIONS IN MILLIMETRES  
THIRD ANGLE PROJECTION

CAD SYSTEM: SW

CAD FILE NAME:

VIEWS SHOW MOUNTING OPTION X

**ORDERING SPECIFICATION**

HD	E	15	P	TD	8		
1	2	3	4	5	6	7	8

NOTE: ORDERING SPECIFICATION TABLE REFERENCES REFER TO ALL CONNECTOR STYLES, e.g. SOLDER BUCKET, STRAIGHT PC AND 90° PC. (CODE ABOVE IS FOR 15 WAY, SOLDER BUCKET, PLUG)

- SERIES:**  
HD - HIGH DENSITY DEE.
- SHELL SIZE:**  
E (15 WAY), A (26 WAY), B (44 WAY)
- MOUNTING OPTION:**  
NO DESIGNATOR - STANDARD FIXING HOLES.  
S - SCREWLOCKS FITTED 4-40 UNC.  
T - BOARDLOCKS FITTED. (PC ONLY)  
X - SCREWLOCKS & BOARDLOCKS FITTED. (PC ONLY)
- CONTACT ARRANGEMENT:**  
15, 26, 44
- CONTACT TYPE:**  
P - PIN (REFER TO MALE DRAWINGS)  
S - SOCKET
- TERMINATION TYPE:**  
NO DESIGNATOR - SOLDER BUCKET (SEE DRAWING P-9620)  
N - 90° PC (SEE DRAWING P-9622)  
OL - STRAIGHT PC
- SHELL FINISH:**  
T - TIN (FEMALE SOCKET ONLY)  
TD - TINNED AND DIMPED (MALE PIN ONLY)
- INSULATION COLOUR**  
NO DESIGNATOR - BLACK  
F - WHITE

**MATERIAL SPECIFICATION**

INSULATOR: GLASS FILLED THERMOPLASTIC UL94-V0 RATED

CONTACTS: COPPER ALLOY NICKEL/GOLD PLATED WITH TIN SOLDERED TAILS.

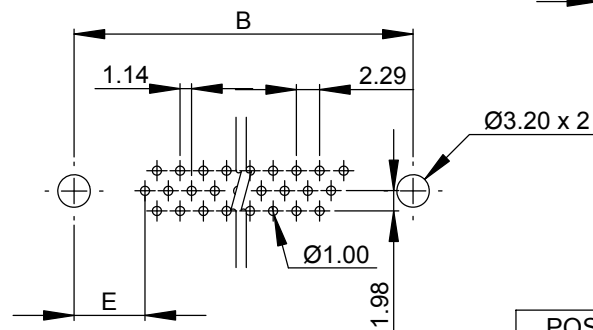
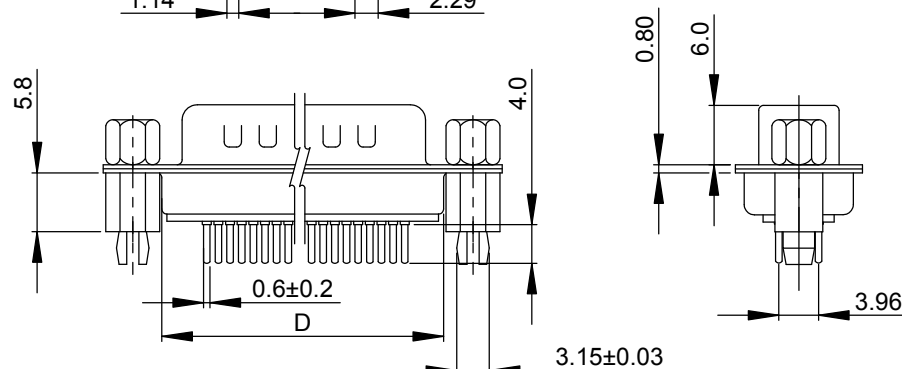
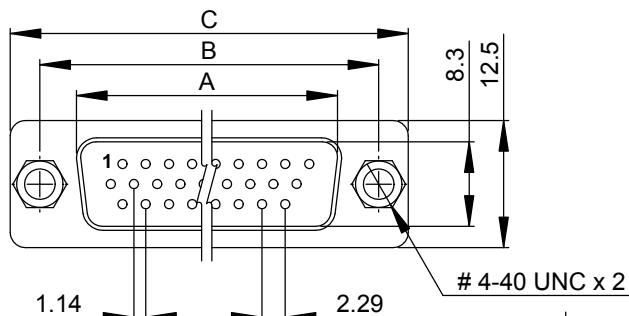
SHELL CASING: STEEL TIN PLATED.

**ELECTRICAL SPECIFICATION:**

OPERATING VOLTAGE: 250V AC MAX.  
CURRENT RATING: 3A MAX.  
CONTACT RESISTANCE: 15 mΩ MAX.  
INSULATION RESISTANCE: 3000 MΩ MIN. @ 500V DC  
DIELECTRIC WITHSTAND VOLTAGE: 1kV AC FOR ONE MINUTE

MECHANICAL OPERATIONS: 100 CYCLES MIN.

OPERATIONAL TEMPERATURE: -55°C ~ +105°C



RECOMMENDED P.C.B  
LAYOUT (TOP VIEW)  
TOLERANCES ± 0.05MM

POSITION	A	B	C	D	E
15 WAY	16.92	25.00	30.8	19.2	7.04
26 WAY	25.25	33.30	39.2	27.7	6.88
44 WAY	38.96	47.10	53.1	41.1	6.88

ISS	ECN	SIGN	DATE	ISS	ECN	SIGN	DATE
A	16S	LM	24.01.18				

NOTICE  
ALL RIGHTS RESERVED.  
UNAUTHORISED USE,  
DISCLOSURE OR  
REPRODUCTION IN  
WHOLE OR IN PART IS  
STRICTLY PROHIBITED.

© 2018

**ITW Switches**  
**ITW Switchpanels**

6B The Briars  
Waterberry Drive  
Waterlooville  
Hants PO7 7YH

Internet: [www.itwswitches.co.uk](http://www.itwswitches.co.uk)

**STANDARD TOLERANCES**

NO PLACE DEC. ±0.5  
1 PLACE DEC. ±0.3  
2 PLACE DEC. ±0.2  
DIAMETERS ±0.1  
ANGULAR ±5°  
UNLESS OTHERWISE STATED

SCALE: 2:1

**MATERIAL**

SEE NOTES

**FINISH**

SEE NOTES

DRAWN	DATE	SIGN	DATE
LM	24.01.18	GS	04.01.18

TITLE HIGH DENSITY DEE  
STRAIGHT PC MALE 15-44 WAY

DRAWING No P-9621	SHT 1 OF 1	A3
----------------------	---------------	----

## X-ON Electronics

Largest Supplier of Electrical and Electronic Components

*Click to view similar products for [itw switches manufacturer](#):*

Other Similar products are found below :

[MP648-16\(50\)](#) [SDBS25PN](#) [76-1024](#) [48M-111B](#) [76-959034](#) [181541B](#) [MDJ15](#) [DA15POLF](#) [48M-111G](#) [22-204](#) [DC37PF](#) [DB25SNF](#) [DB25SF](#)  
[76-9510/4044](#) [49-59115](#) [40-2-5](#) [76-9513/4044G](#) [76-9113/439088](#) [SDAX15SNT](#) [SDD50PTD](#) [H48M-213B/4044](#) [59-900091](#) [48M210N](#)  
[ES1020](#) [SDB25PNTD](#) [DE9SNF](#) [DAC15P](#) [49-59121](#) [H48M-112B/4044](#) [57-112R](#) [HDAX26SNT](#) [76-9112/439088](#) [48-1-RB-G-BK-B](#) [76-](#)  
[9440/439088N](#) [48M112R](#) [H48M-112G/4044](#) [57M110N](#) [40-2-10](#) [H48M-212B/4044](#) [76-9116/439088](#) [DE9PF](#) [57M-211B](#) [H48M-212R/4044](#)  
[4959213](#) [48M110N](#) [1640401](#) [76-9711/439088R](#) [76-9440/439088B](#) [48-1-RB-R-BK-B](#) [76-1266](#)