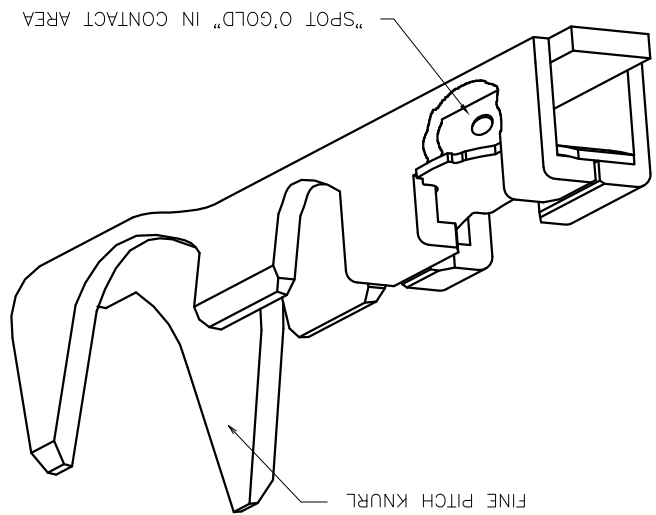
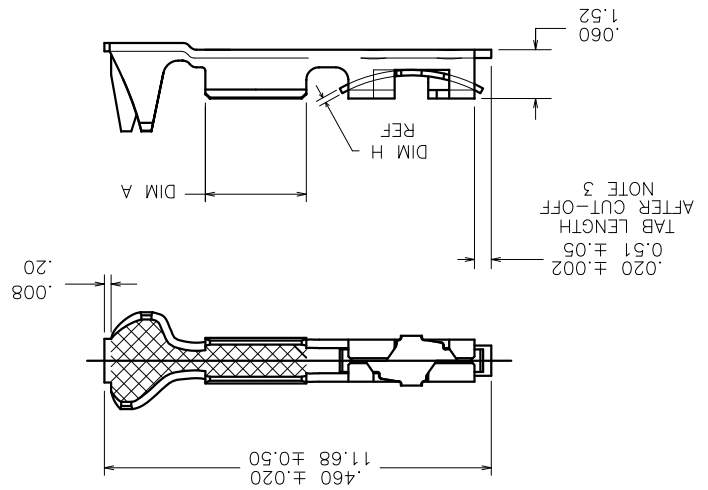


PRODUCT NUMBER  
SEE TABLE



mat'l code	SEE NOTE 1	surface	tolerance	projection	product family	PV TERMINALS	title	MINI PV™ RECEPTACLE SPOT O'GOLD™ C.T.W.	dwg no	75691	sheet 1 of 2 size	A4	type	CUSTOMER Drawing	
itr	ecn no	dr	date	tolerances unless otherwise specified	angles	xx ±.01/X.3	INCH/MM	MINI PV™ RECEPTACLE SPOT O'GOLD™ C.T.W.	scale	5:1	FCI	type	CUSTOMER Drawing		
C	V61312	EPK	1996-11-06	tolerances unless otherwise specified	angles	xx ±.01/X.3	INCH/MM	MINI PV™ RECEPTACLE SPOT O'GOLD™ C.T.W.	scale	5:1	FCI	type	CUSTOMER Drawing		
D	V05-0268	HTB	2005-03-30	tolerances unless otherwise specified	angles	xxx ±.005/xxx.18	INCH/MM	MINI PV™ RECEPTACLE SPOT O'GOLD™ C.T.W.	scale	5:1	FCI	type	CUSTOMER Drawing		
E	V06-0218	HTB	2006-03-07	tolerances unless otherwise specified	angles	xxx ±.020/xxx.051	INCH/MM	MINI PV™ RECEPTACLE SPOT O'GOLD™ C.T.W.	scale	5:1	FCI	type	CUSTOMER Drawing		
F	V06-0624	HTB	2006-06-30	tolerances unless otherwise specified	angles	xxx ±.020/xxx.051	INCH/MM	MINI PV™ RECEPTACLE SPOT O'GOLD™ C.T.W.	scale	5:1	FCI	type	CUSTOMER Drawing		
G	V08-0116	HTB	2008-04-07	tolerances unless otherwise specified	angles	xxx ±.020/xxx.051	INCH/MM	MINI PV™ RECEPTACLE SPOT O'GOLD™ C.T.W.	scale	5:1	FCI	type	CUSTOMER Drawing		
H	V12-0051	DCH	2012-11-27	tolerances unless otherwise specified	angles	xxx ±.020/xxx.051	INCH/MM	MINI PV™ RECEPTACLE SPOT O'GOLD™ C.T.W.	scale	5:1	FCI	type	CUSTOMER Drawing		
sheet	revision	H	H	sheet	revision	H	H	sheet	revision	H	H	sheet	revision	H	H

PRODUCT NUMBER	SPRING	"H" THK.		DIM A
		AMG RANGE	LOOSE PIECE	
75691-001	75691-010	18-20	.0035/0.089	O B S O L E T E
75691-001F	75691-010LF	18-20	.0035/0.089	O B S O L E T E
75691-002	75691-011	18-20	.0035/0.089	O B S O L E T E
75691-002LF	75691-011LF	18-20	.0035/0.089	O B S O L E T E
75691-003	75691-012	18-20	.0035/0.089	O B S O L E T E
75691-003LF	75691-012LF	18-20	.0065/0.165	O B S O L E T E
75691-004	75691-013	22-26	.0035/0.089	O B S O L E T E
75691-004LF	75691-013LF	22-26	.0035/0.089	O B S O L E T E
75691-005	75691-014	22-26	.0050/0.130	O B S O L E T E
75691-005LF	75691-014LF	22-26	.0050/0.130	O B S O L E T E
75691-006	75691-015	22-26	.0065/0.165	O B S O L E T E
75691-006LF	75691-015LF	22-26	.0065/0.165	O B S O L E T E
75691-007	75691-016	28-32	.0035/0.089	O B S O L E T E
75691-007LF	75691-016LF	28-32	.0035/0.089	O B S O L E T E
75691-008	75691-017	28-32	.0050/0.130	O B S O L E T E
75691-008LF	75691-017LF	28-32	.0050/0.130	O B S O L E T E
75691-009	75691-018	28-32	.0050/0.130	O B S O L E T E
75691-009LF	75691-018LF	28-32	.0065/0.165	O B S O L E T E
75691-019	75691-028	18-20	.0035/0.089	O B S O L E T E
75691-019LF	75691-028LF	18-20	.0035/0.089	O B S O L E T E
75691-020	75691-029	18-20	.0050/0.130	O B S O L E T E
75691-020LF	75691-029LF	18-20	.0050/0.130	O B S O L E T E
75691-021	75691-030	22-26	.0035/0.089	O B S O L E T E
75691-021LF	75691-030LF	22-26	.0035/0.089	O B S O L E T E
75691-022	75691-031	22-26	.0035/0.089	O B S O L E T E
75691-022LF	75691-031LF	22-26	.0035/0.089	O B S O L E T E
75691-023	75691-032	22-26	.0050/0.130	O B S O L E T E
75691-023LF	75691-032LF	22-26	.0050/0.130	O B S O L E T E
75691-024	75691-033	22-26	.0065/0.165	O B S O L E T E
75691-024LF	75691-033LF	22-26	.0065/0.165	O B S O L E T E
75691-025	75691-034	28-32	.0035/0.089	O B S O L E T E
75691-025LF	75691-034LF	28-32	.0035/0.089	O B S O L E T E
75691-026	75691-035	28-32	.0050/0.130	O B S O L E T E
75691-026LF	75691-035LF	28-32	.0050/0.130	O B S O L E T E
75691-027	75691-036	28-32	.0050/0.130	O B S O L E T E
75691-027LF	75691-036LF	28-32	.0050/0.130	O B S O L E T E

mat'l code	date	dr	ecn no	lfr	surface	tolerance	projection	product family	PV TERMINALS	title	MINI PV™ RECEPTACLE	SPOT O'GOLD™ C.T.W.	sheet 2 of 2 size	A4	type	CUSTOMER Drawing
SEE NOTE 1					surface unless otherwise specified	tolerance	projection									
angles	±.2°	xxxx +.005/xxx*.13	xx +.01/xx*.3													
df	T. BREWBAKER	2006-03-07														
eng	T. BREWBAKER	2006-03-07														
chr	T. BREWBAKER	2006-03-07														
appd	T. BREWBAKER	2006-03-07														
sheet	revision	sheet	index													

NOTES :

① BODY MATERIAL: 1/4 HARD CUNI ALLOY UNS C72500  
 UNS C72500, MILL FINISH.  
 SPRING MATERIAL: BeCu HEAT TREATED, GOLD FLASHED  
 2. PART TO MATE WITH .025 ±.001/0.64 ±0.02 PIN.  
 3. APPLICATION SPECIFICATIONS :  
 A. BUS-12-099 , PRODUCT SPEC.  
 B. TA-75 , CRIMP METHODS FOR USE IN MINI LATCH HSG.  
 C. TA-210 , CRIMP METHODS FOR USE IN MINI ROD HSG.  
 4. TAB CUTOFF DIM IS VERY CRITICAL WHEN USED IN CONJUNCTION WITH MINI ROD HOUSING.  
 ⑤ ADD AN "LF" SUFFIX TO PART NUMBERS FOR PRODUCT THAT MEETS EUROPEAN UNION DIRECTIVES AND OTHER COUNTRY REGULATIONS AS DESCRIBED IN GS-22-008.  
 6. THIS PRODUCT IS NOT INTENDED TO BE EXPOSED TO MANUFACTURING SOLDERING PROCESSES.



## X-ON Electronics

Largest Supplier of Electrical and Electronic Components

*Click to view similar products for [fct electronics manufacturer](#):*

Other Similar products are found below :

[F2W2SC-1002](#) [FMK3-K201](#) [FT2W2SC-K121](#) [K761](#) [24P104C24P1-006](#) [SDB15P159S-060](#) [SHD15P15S-012](#) [SHD15P15S-036](#) [FU27W2S7-K121](#) [2761](#) [ICD040GVP163D-03](#) [ICD040GVP163D-25](#) [10056427-1050011LF](#) [155298-002](#) [155286-001](#) [172704-0016](#) [173112-0413](#) [173113-0152](#) [173109-0036](#) [111-0098-994](#) [173107-0568](#) [FM24W7P-K120](#) [FM9W4P-K120](#) [FWDR15S](#) [RB09P09P-006](#) [FLW0915S7](#) [FT2W2PC-K120](#) [25P203C25P2-003](#) [K1003](#) [10112041-2020HLF](#) [173112-0077](#) [173112-0074](#) [173114-0092](#) [10046971-019LF](#) [10093084-2010LF](#) [FWDR09S1](#) [SHD26P26S-012](#) [FWDR15P](#) [74977-101001LF](#) [FM25W3PA-K120](#) [173112-0073](#) [151-2811-010](#) [91910-21169LF](#) [SHD15P15S-060](#) [FKC3GNME](#) [FKT5](#) [CT50-78P7](#) [HM2R89PA8100N9LF](#) [FM27W2SA-K121](#) [73231-1321](#)