

LET-151-12V/240V R

SPECIFICATIONS

Standards/Approvals

VDE and VDE-EMV approved
Transformer meets CE standards

Available Versions

901151240-Standard Version
901151246-With Dimming Loop

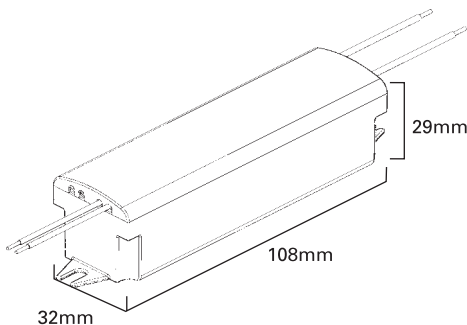
Mechanical and Thermal

Dimensions 29mm x 32mm x 108mm
Weight 167 grams
Lead wire length 20cm
Tc Max 85°C
Ta Max 45°C
Input wire –
(separate cables) FEP/FEP 0.75mm² 450V 180°C
Output wire – 14AWG 300V 200°C
PC plastic casing
Removable mounting ears

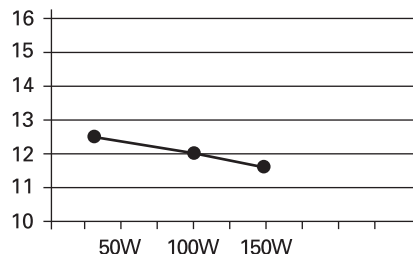


Electrical

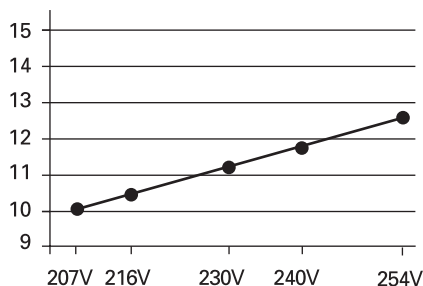
Maximum load 150W
Minimum load with dimmer 35W
Input 240V 50/60Hz
Output at Max. load 11.5V 45 kHz
Input current at Max. load 0.66A
Output current at Max. load 12.5A
Power factor Min. 0.98
Dimmable
EMC (RFI) EN 55015
Harmonics EN 61000
Immunity EN 61547/61047
Safety EN 61347-2-2
SELV



Output Voltage vs. Load at 240V



Output vs. Input at Max. Load



Short Circuit and Thermal Protection

Electronic internal universal resettable short circuit protection. Auto-Reset thermal cut-off @ 125C.



WWW.LIGHTTECHINC.COM

www.lighttechinc.com

X-ON Electronics

Largest Supplier of Electrical and Electronic Components

Click to view similar products for [lightech](#) manufacturer:

Other Similar products are found below :

[901301240](#)