

PLEASE CHECK WWW.MOLEX.COM FOR LATEST PART INFORMATION

Part Number: **0758274105**
Status: **Active**
Overview: GbX Backplane Connector System
Description: GbX 2 Pair Backplane Connector System, Right Guide Header, 40 Circuits, 10 Columns, Gold (Au) 0.76µm, Pin Length 5.55mm

Documents:

[3D Model](#) [Packaging Specification PK-70873-5058 \(PDF\)](#)
[Drawing \(PDF\)](#) [RoHS Certificate of Compliance \(PDF\)](#)
[Product Specification PS-75221-999-001 \(PDF\)](#)

Agency Certification

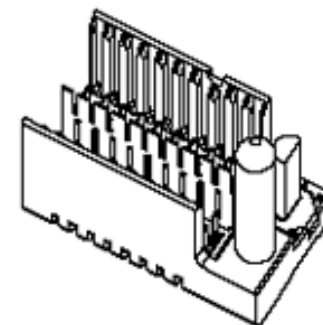
UL E29179

General

Product Family Backplane Connectors
Series [75827](#)
Application Backplane
Application Tooling Documents TM-622022099
Comments Right Guide Header, No Keying Position
Component Type PCB Header
Overview [GbX Backplane Connector System](#)
Product Name GbX
UPC 822350665803

Physical

Circuits (Loaded) 40
Circuits (maximum) 40
Color - Resin Gray (Dark)
Durability (mating cycles max) 200
First Mate / Last Break No
Flammability 94V-0
Guide to Mating Part Yes
Keying to Mating Part None
Material - Metal High Performance Alloy (HPA), Stainless Steel
Material - Plating Mating Gold
Material - Plating Termination Tin-Lead
Material - Resin High Temperature Thermoplastic
Net Weight 5.632/g
Number of Columns 10
Number of Pairs 2
Number of Rows 4
Orientation Vertical
PC Tail Length 2.30mm
PCB Locator No
PCB Retention Yes
PCB Thickness - Recommended 1.60mm
Packaging Type Tray
Pitch - Mating Interface 1.85mm
Pitch - Termination Interface 1.85mm
Plating min - Mating 0.762µm
Plating min - Termination 0.762µm
Polarized to PCB No
Stackable Yes
Surface Mount Compatible (SMC) Yes
Temperature Range - Operating 105°C
Termination Interface: Style Through Hole - Compliant Pin



Series image - Reference only

EU ELV

Not Relevant

EU RoHS

Compliant

REACH SVHC

Not Contained Per -
ED/61/2018 (27 June
2018)

Halogen-Free

Status

Low-Halogen

For more information, please visit [Contact US](#)

China ROHS

ELV

RoHS Phthalates

Green Image

Not Relevant

Not Contained

Search Parts in this Series

[75827](#) Series

Mates With

[75650](#) GbX Daughtercard

Application Tooling | FAQ

Tooling specifications and manuals are found by selecting the products below. Crimp Height Specifications are then contained in the Application Tooling Specification document.

Global

Description

Product #

GbX 2-Pair by 10- [0622022410](#)
Wide Differential
Insertion Tool

Electrical

Current - Maximum per Contact	1.0A
Data Rate	8.0 Gbps
Real Signals (per 25mm)	54
Shield Type	Ground Plane Shield
Shielded	Yes
Voltage - Maximum	120V AC (RMS)/DC

Solder Process Data

Lead-free Process Capability	N/A
------------------------------	-----

Material Info**Reference - Drawing Numbers**

Packaging Specification	PK-70873-5058
Product Specification	PS-75221-999-001
Sales Drawing	SD-75827-410

This document was generated on 10/08/2018

PLEASE CHECK WWW.MOLEX.COM FOR LATEST PART INFORMATION

X-ON Electronics

Largest Supplier of Electrical and Electronic Components

Click to view similar products for [High Speed/Modular Connectors](#) category:

Click to view products by [Molex](#) manufacturer:

Other Similar products are found below :

[2332816-1](#) [89006-1137LF](#) [650827-1](#) [65762-001LF](#) [73474-201LF](#) [74040-1346](#) [74075-0267](#) [88911-201LF](#) [9514M0C20D](#) [1410191-1](#)
[1410337-1](#) [1410368-3](#) [1410964-2](#) [1410326-3](#) [1410367-3](#) [1410971-4](#) [1467833-1](#) [2000877-1](#) [2000878-1](#) [2041314-1](#) [2065387-1](#) [2187307-1](#)
[2187462-1](#) [2226278-6](#) [KA81-07](#) [91290-101LF](#) [1934290-1](#) [2000875-1](#) [2065917-1](#) [2102736-2](#) [FSR-40](#) [2169868-2](#) [2226279-2](#) [22354-8](#) [437-](#)
[5040-000](#) [5-1393565-0](#) [532449-3](#) [532803-2](#) [34745-0001](#) [0740618502](#) [0760151403](#) [0760551105](#) [0760551608](#) [0761451128](#) [0761651124](#)
[0761655108](#) [0761659807](#) [0769853208](#) [0736440217](#) [0758324203](#)