

# LED-36W DC 700mA

# SPECIFICATIONS

## Standards

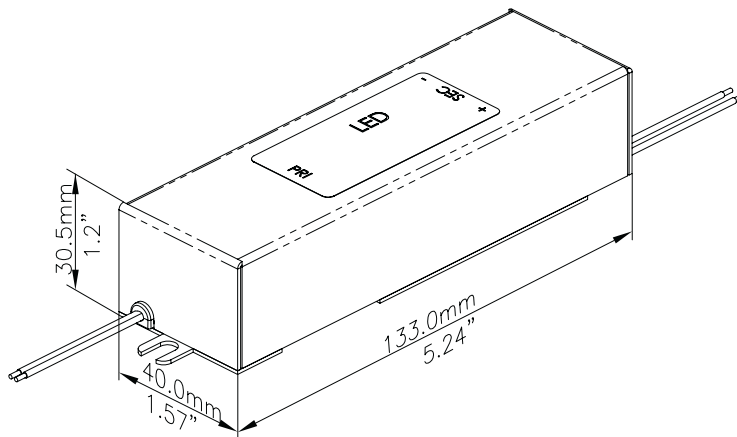
Converter meets CE standard  
 Pending UL and C-UL  
 Pending VDE and VDE EMC

## Available Versions

901036700P-LED 36W DC 700mA P  
 (European Version)  
 901036700PU-LED 36W DC 700mA PU  
 (USA Version)

## Mechanical and Thermal

Dimensions (mm) 30.5 x 40 x 133  
 Dimensions (in.) 1.2 x 1.57 x 5.24  
 Weight 300 grams, 10.58 ounces  
 Tc Max 90°C  
 Ta Max 50°C  
 Aluminium casing  
 Output wire 0.75mm<sup>2</sup>/18 AWG Teflon  
 Input wire 0.75mm<sup>2</sup>/18 AWG 300V  
 180°C/200°C



## Electrical

Load	10-36VA
Input	100-265V 0/50/60Hz
Output current	650-750mA
Output voltage	12-58V
Efficiency	82%
EMC (RFI)	FCC Class A/EN 55015
Harmonics	EN 61000-3-2
Electrostatic Discharge	IEC61000-4-2
EMC Immunity	IEC61000-4-3
Burst	IEC61000-4-4
Surge	IEC61000-4-5
Injected RF	IEC61000-4-6
Mains interruption	IEC61000-4-11
Immunity	EN 61547/61047
Safety	EN 61347-2-13
SELV	

## Protection and Regulation

Electronic internal resettable short circuit protection and overload regulation.

See reverse side for more information →

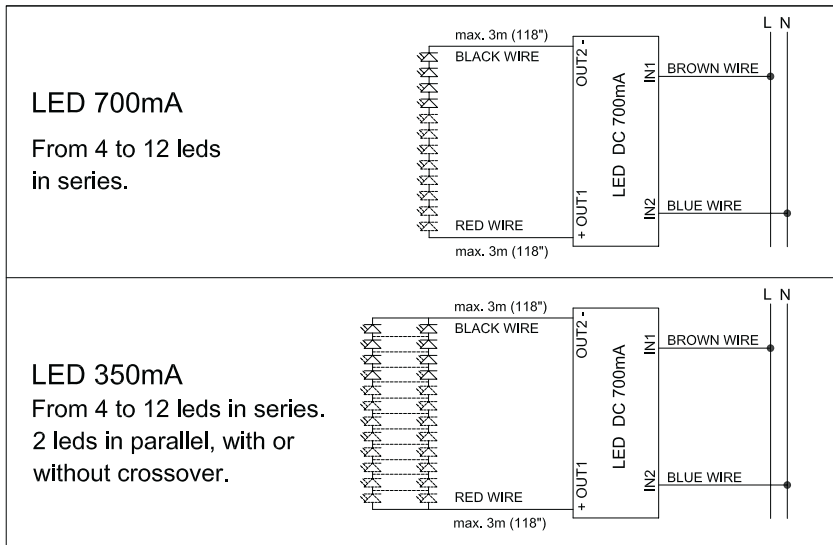
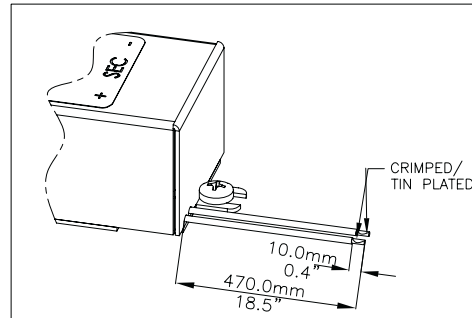
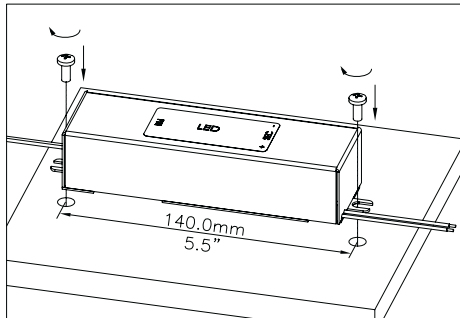


WWW.LIGHTTECHINC.COM

www.lighttechinc.com

# LED-36W DC 700mA

## Mounting Instructions



## Safety Instructions:

1. Always disconnect power before installation and/or removal of the unit.
2. Install in accordance with national and local electrical codes.
3. Wires: Input and output wires 0.75mm<sup>2</sup> or 18 AWG.

## **X-ON Electronics**

Largest Supplier of Electrical and Electronic Components

*Click to view similar products for [lightech](#) manufacturer:*

Other Similar products are found below :

[901301240](#)