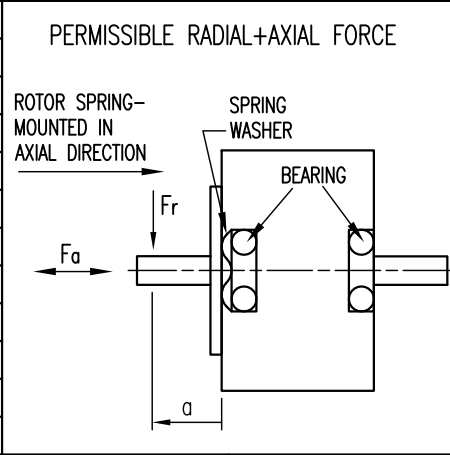


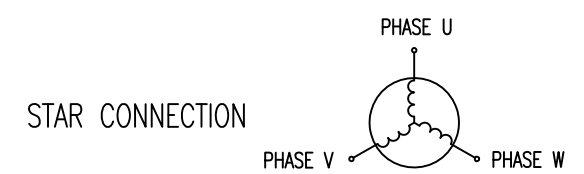
| SPECIFICATION | CONNECTION | STAR |
|--|------------|-------------------------------|
| NO. OF POL./PHASE | | 16/3 |
| VOLTAGE RATED (VDC) | | 24 |
| NO LOAD CURRENT (A) | | <0.3 |
| CURRENT RATED/PEAK (A) | | 2.36/ 7.0 |
| RESISTANCE/PHASE TO PHASE (Ohms) @20°C | | 0.8 \pm 10% \triangle |
| INDUCTANCE/PHASE TO PHASE (mH) @1KHz | | 0.33 \pm 20% \triangle |
| TORQUE RATED/PEAK (Nm) [lb-in] | | 0.084/0.25 [0.74/2.22] |
| TORQUE CONSTANT (Nm/A) | | 0.0335 |
| POWER RATED (W) | | 50 |
| SPEED RATED/NO LOAD (RPM) | | 5260/6700 \triangle |
| ROTOR INERTIA (Kg-m ²) [lb-in ²] | | 1.35x10 ⁻⁵ [0.046] |
| WEIGHT (Kg) [lb] | | 0.12 [0.26] |



| WIRING DIAGRAM | | | | | | | |
|--------------------|----------|----------------------------|-----|-----|-----|-----|-----|
| | FUNCTION | Dir. \longleftrightarrow | | | | | |
| MOTOR 16 POL. | U | X | HI | HI | X | LOW | LOW |
| | V | HI | X | LOW | LOW | X | HI |
| | W | LOW | LOW | X | HI | HI | X |
| HALL 48 IMPL. REV. | +5V | | | | | | |
| | H1 | 0 | 0 | 0 | 1 | 1 | 1 |
| | H2 | 0 | 1 | 1 | 1 | 0 | 0 |
| | H3 | 1 | 1 | 0 | 0 | 0 | 1 |
| GND | | | | | | | |

| | | |
|--|--|--|
| TEMPERATURE RISE: MAX.80°C | | |
| AMBIENT TEMPERATURE -20°~ 50°C \triangle | | |
| INSULATION RESISTANCE 100 MOhm (UNDER NORMAL TEMPERATURE AND HUMIDITY) | | |
| INSULATION CLASS B 130° [266°F] | | |
| DIELECTRIC STRENGTH 500VAC FOR 1 MIN. (BETWEEN THE MOTOR COILS AND THE MOTOR CASE) | | |
| AMBIENT HUMIDITY MAX. 85% (NO CONDENSATION) | | |

| | | |
|------------------------|-----------------------|--------|
| AXIAL-FORCE F_a (N) | $F_a=10 \text{ max.}$ | |
| DISTANCE a (mm) | 10 | |
| RADIAL-FORCE F_r (N) | 28 max. | |
| | AXIAL | RADIAL |
| SHAFT PLAY (mm) | 0.14 | 0.02 |
| AT LOAD MAX: (N) | 4 | 4 |



| | | | |
|-----|----------------------|----------|------|
| 1 | CHANGE AMBIENT TEMP. | 16.01.15 | J.D. |
| C | UPDT. DATA | 17.10.14 | J.D. |
| B | VALUE CHANGED | 08.08.14 | J.D. |
| REV | DESCRIPTION | DATE | APVD |

Nanotec
 PLUG & DRIVE

DF45M024053-A2

| | | | |
|----------------------|-----------|------|----------|
| SCALE FREE | APVD | G.S. | 07.07.14 |
| X ± 0.5 | CHKD | | |
| 1PL ± 0.2 | DRN | J.D. | 07.07.14 |
| 2PL ± 0.1 | SIGNATURE | DATE | |
| ANGLE $\pm 30^\circ$ | | | |

BRUSHLESS DC MOTOR

DWG.NO DF45M024053-A2

X-ON Electronics

Largest Supplier of Electrical and Electronic Components

Click to view similar products for [nanotec](#) manufacturer:

Other Similar products are found below :

[LSNUT-T6X2-F](#) [STF2818X0504-A](#) [SP2575M0206-A](#) [DB59C024035-A](#) [SP1518M0204-A](#) [ST5918M3008-A](#) [ST6018L3008-A](#) [ZKRS485-USB](#) [SP3575M0906-A](#) [C5-01](#) [ST2818S1006-B](#) [SMCI35](#) [ST4118L1804-A](#)