



Standard control units	Push-button with flush cap	Push-button with raised cap	Push-button mushroom head	Push-button emergency push-twist to release mushroom head	Push-button emergency with positive break push-twist to release mushroom head	Selector switch with knob	Selector switch with lever	Selector switch with key (code 309S) key removal in all positions	Joystick
<b>Round satin chrome P9M</b>	<b>P9MPN</b> + G Ref. nr. ....N.. 184000 .....R.. 184001 .....V.. 184002 .....G.. 184003 .....L.. 184006	<b>P9MPN</b> + S Ref. nr. ....N.. 184010 .....R.. 184011 .....V.. 184012 .....G.. 184013 .....L.. 184016	<b>P9MEM4</b> + N Ref. nr. ....N.. 184030 .....R.. 184031 .....V.. 184032 .....G.. 184033	<b>P9MER4</b> RN 184070		<b>I-II fixed</b> ● <b>P9MSMD0N</b> 184110 ● <b>P9MSVD0N</b> 184370 <b>I-O-II fixed</b> ● <b>P9MSMZ0N</b> 184200 →← <b>P9MSMZ3N</b> 184320 <b>I-O-II spring return</b> ● <b>P9MSVZ0N</b> 184379 →← <b>P9MSVZ3N</b> 184391 <b>I-O-II spring return</b> ● <b>P9MSCZ0T95</b> 184439 →← <b>P9MSCZ3C95</b> 184467	<b>I-II fixed</b> ● <b>P9MSMD0N</b> 184110 ● <b>P9MSVD0N</b> 184370 <b>I-O-II fixed</b> ● <b>P9MSMZ0N</b> 184200 →← <b>P9MSMZ3N</b> 184320 <b>I-O-II spring return</b> ● <b>P9MSVZ0N</b> 184379 →← <b>P9MSVZ3N</b> 184391 <b>I-O-II spring return</b> ● <b>P9MSCZ0T95</b> 184439 →← <b>P9MSCZ3C95</b> 184467	<b>I-II fixed</b> ● <b>P9MSCD0K95</b> 184402 <b>I-O-II fixed</b> ● <b>P9MSMZ0N</b> 184200 →← <b>P9MSMZ3N</b> 184320 <b>I-O-II spring return</b> ● <b>P9MSVZ0N</b> 184379 →← <b>P9MSVZ3N</b> 184391 <b>I-O-II spring return</b> ● <b>P9MSCZ0T95</b> 184439 →← <b>P9MSCZ3C95</b> 184467	<b>fixed pos.</b> ● <b>P9MMN2F</b> 184700 <b>transient pos.</b> ● <b>P9MMN2T</b> 184701 ● <b>P9MMN4F</b> 184720 ● <b>P9MMN4T</b> 184721

Standard control units	Push-button with flush cap	Push-button with raised cap	Push-button mushroom head	Push-button emergency push-twist to release mushroom head	Push-button emergency with positive break push-twist to release mushroom head	Selector switch with knob	Selector switch with lever	Selector switch with key (code 309S) key removal in all positions	Joystick
<b>Round plastic P9X</b>	<b>P9XPN</b> + G Ref. nr. ....N.. 185000 .....R.. 185001 .....V.. 185002 .....G.. 185003 .....L.. 185006	<b>P9XPN</b> + S Ref. nr. ....N.. 185010 .....R.. 185011 .....V.. 185012 .....G.. 185013 .....L.. 185016	<b>P9XEM4</b> + N Ref. nr. ....N.. 185040 .....R.. 185041	<b>P9XER4</b> RN 185070	<b>P9XER4</b> RN 185077	<b>I-II fixed</b> ● <b>P9XSMMD0N</b> 185110 ● <b>P9XMSVD0N</b> 185370 <b>I-O-II fixed</b> ● <b>P9XSMZ0N</b> 185200 →← <b>P9XSMZ3N</b> 185320 <b>I-O-II spring return</b> ● <b>P9XSVZ0N</b> 185379 →← <b>P9XSVZ3N</b> 185391 <b>I-O-II spring return</b> ● <b>P9XSCZ0K95</b> 185402 <b>I-O-II fixed</b> ● <b>P9XSMZ0N</b> 185200 →← <b>P9XSMZ3N</b> 185320 <b>I-O-II spring return</b> ● <b>P9XSVZ0N</b> 185379 →← <b>P9XSVZ3N</b> 185391 <b>I-O-II spring return</b> ● <b>P9XSCZ0T95</b> 185439 →← <b>P9XSCZ3C95</b> 185467	<b>I-II fixed</b> ● <b>P9XSMMD0N</b> 185110 ● <b>P9XMSVD0N</b> 185370 <b>I-O-II fixed</b> ● <b>P9XSMZ0N</b> 185200 →← <b>P9XSMZ3N</b> 185320 <b>I-O-II spring return</b> ● <b>P9XSVZ0N</b> 185379 →← <b>P9XSVZ3N</b> 185391 <b>I-O-II spring return</b> ● <b>P9XSCZ0K95</b> 185402 <b>I-O-II fixed</b> ● <b>P9XSMZ0N</b> 185200 →← <b>P9XSMZ3N</b> 185320 <b>I-O-II spring return</b> ● <b>P9XSVZ0N</b> 185379 →← <b>P9XSVZ3N</b> 185391 <b>I-O-II spring return</b> ● <b>P9XSCZ0T95</b> 185439 →← <b>P9XSCZ3C95</b> 185467	<b>I-II fixed</b> ● <b>P9XSCD0K95</b> 185402 <b>I-O-II fixed</b> ● <b>P9XSMZ0N</b> 185200 →← <b>P9XSMZ3N</b> 185320 <b>I-O-II spring return</b> ● <b>P9XSVZ0N</b> 185379 →← <b>P9XSVZ3N</b> 185391 <b>I-O-II spring return</b> ● <b>P9XSCZ0T95</b> 185439 →← <b>P9XSCZ3C95</b> 185467	<b>fixed pos.</b> ● <b>P9XMMN2F</b> 185700 <b>transient pos.</b> ● <b>P9XMMN2T</b> 185701 ● <b>P9XMMN4F</b> 185720 ● <b>P9XMMN4T</b> 185721

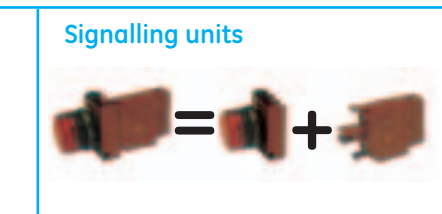
Standard control units	Push-button with flush cap	Push-button with raised cap	Push-button mushroom head	Push-button emergency push-twist to release mushroom head	Push-button emergency with positive break push-twist to release mushroom head	Selector switch with knob	Selector switch with lever	Selector switch with key (code 309S) key removal in all positions	Joystick
<b>Square plastic P9S</b>	<b>P9SPN</b> + G Ref. nr. ....N.. 186000 .....R.. 186001 .....V.. 186002 .....G.. 186003 .....L.. 186006	<b>P9SPN</b> + S Ref. nr. ....N.. 186010 .....R.. 186011 .....V.. 186012 .....G.. 186013 .....L.. 186016	<b>P9SEM3</b> RN 186031	<b>P9SER4</b> RN 186072		<b>I-II fixed</b> ● <b>P9SSMD0N</b> 186110 ● <b>P9SSVD0N</b> 186402 <b>I-O-II fixed</b> ● <b>P9SSMZ0N</b> 186200 →← <b>P9SSMZ3N</b> 186320 <b>I-O-II spring return</b> ● <b>P9SSVZ0N</b> 186491 →← <b>P9SSVZ3N</b> 186507 <b>I-O-II spring return</b> ● <b>P9SSCZ0K95</b> 186402 <b>I-O-II fixed</b> ● <b>P9SSMZ0N</b> 186200 →← <b>P9SSMZ3N</b> 186320 <b>I-O-II spring return</b> ● <b>P9SSVZ0N</b> 186491 →← <b>P9SSVZ3N</b> 186507 <b>I-O-II spring return</b> ● <b>P9SSCZ0T95</b> 186439 →← <b>P9SSCZ3C95</b> 186467	<b>I-II fixed</b> ● <b>P9SSMD0N</b> 186110 ● <b>P9SSVD0N</b> 186402 <b>I-O-II fixed</b> ● <b>P9SSMZ0N</b> 186200 →← <b>P9SSMZ3N</b> 186320 <b>I-O-II spring return</b> ● <b>P9SSVZ0N</b> 186491 →← <b>P9SSVZ3N</b> 186507 <b>I-O-II spring return</b> ● <b>P9SSCZ0K95</b> 186402 <b>I-O-II fixed</b> ● <b>P9SSMZ0N</b> 186200 →← <b>P9SSMZ3N</b> 186320 <b>I-O-II spring return</b> ● <b>P9SSVZ0N</b> 186491 →← <b>P9SSVZ3N</b> 186507 <b>I-O-II spring return</b> ● <b>P9SSCZ0T95</b> 186439 →← <b>P9SSCZ3C95</b> 186467	<b>Double function with indicator light white lens</b> <b>P9DPLVRG00</b> 186881 <b>P9DPLVRG01</b> 186891	



Illuminated control units	Illuminated push-button with flush cap	Illuminated push-button with raised cap	Illuminated push-button with mushroom head	Illuminated push-button push-pull to release with mushroom head	Illuminated selector switch
	<b>P9MPL</b> + GD Ref. nr. ....R.. 184491 .....V.. 184492 .....G.. 184493 .....B.. 184497	<b>P9MPL</b> + SD Ref. nr. ....R.. 184501 .....V.. 184502 .....G.. 184503 .....B.. 184507	<b>P9MEM4</b> + L Ref. nr. ....R.. 184551 .....V.. 184552 .....G.. 184553 .....L.. 184556	<b>P9MET4</b> RL1 184561	<b>I-II fixed</b> Ref. nr. <b>P9MSLD0R*</b> 184591 <b>I-O-II fixed</b> Ref. nr. <b>P9MSLZ0R*</b> 184601 →← <b>I-O-II spring return</b> Ref. nr. <b>P9MSLZ3R*</b> 184631 <b>*Colour palette =</b> ● R ● V ● G ● L

Illuminated control units	Illuminated push-button with flush cap	Illuminated push-button with raised cap	Illuminated push-button with mushroom head	Illuminated push-button push-pull to release with mushroom head	Illuminated selector switch
	<b>P9XPL</b> + GD Ref. nr. ....R.. 185491 .....V.. 185492 .....G.. 185493 .....B.. 185497	<b>P9XPL</b> + SD Ref. nr. ....R.. 185501 .....V.. 185502 .....G.. 185503 .....B.. 185507	<b>P9XEM4</b> + L Ref. nr. ....R.. 185551 .....V.. 185552 .....G.. 185553 .....L.. 185556	<b>P9XET4</b> RL1 185561	<b>I-II fixed</b> Ref. nr. <b>P9XSLD0R*</b> 185591 <b>I-O-II fixed</b> Ref. nr. <b>P9XSLZ0R*</b> 185601 →← <b>I-O-II spring return</b> Ref. nr. <b>P9XSLZ3R*</b> 185631 <b>*Colour palette =</b> ● R ● V ● G ● L

Illuminated control units	Illuminated push-button with flush cap	Illuminated push-button with raised cap	Illuminated push-button with mushroom head	Illuminated push-button push-pull to release with mushroom head	Illuminated selector switch
	<b>P9SPL</b> + GD Ref. nr. ....R.. 186491 .....V.. 186492 .....G.. 186493 .....B.. 186497	<b>P9SPL</b> + SD Ref. nr. ....R.. 186501 .....V.. 186502 .....G.. 186503 .....B.. 186507	<b>P9SEM4</b> + L Ref. nr. ....R.. 186551 .....V.. 186552 .....G.. 186553 .....L.. 186556	<b>P9SET4</b> RL1 186561	<b>I-II fixed</b> Ref. nr. <b>P9SSLD0R*</b> 186591 <b>I-O-II fixed</b> Ref. nr. <b>P9SSLZ0R*</b> 186601 <b>*Colour palette =</b> ● R ● V ● G ● L



Signalling units	Pilot light diffused lens	Pilot light unilob full voltage <math>\cong</math> BA9S max. 2W not included
	<b>P9ML</b> + D Ref. nr. ....R.. 184791 .....V.. 184792 .....G.. 184793 .....B.. 184797	<b>P9ML</b> + D Ref. nr. ....R.. 184791 .....V.. 184792 .....G.. 184793 .....B.. 184797

Signalling units	Pilot light diffused lens	Pilot light unilob full voltage <math>\cong</math> BA9S max. 2W not included
	<b>P9XML</b> + D Ref. nr. ....R.. 185791 .....V.. 185792 .....G.. 185793 .....B.. 185797	<b>P9XML</b> + D Ref. nr. ....R.. 185791 .....V.. 185792 .....G.. 185793 .....B.. 185797

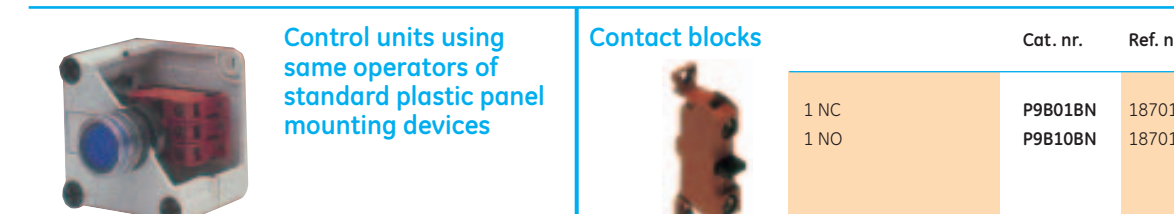
Signalling units	Pilot light diffused lens	Pilot light unilob full voltage <math>\cong</math> BA9S max. 2W not included
	<b>P9SML</b> + D Ref. nr. ....R.. 186791 .....V.. 186792 .....G.. 186793 .....B.. 186797	<b>P9SML</b> + D Ref. nr. ....R.. 186791 .....V.. 186792 .....G.. 186793 .....B.. 186797

Contact blocks	Cat. nr.	Ref. nr.
1 NC 1 NO 2 NC 1 NC + 1 NO 2 NO	<b>P9B01VN</b> <b>P9B10VN</b> <b>P9B02VN</b> <b>P9B11VN</b> <b>P9B20VN</b>	187001 187002 187008 187000 187009

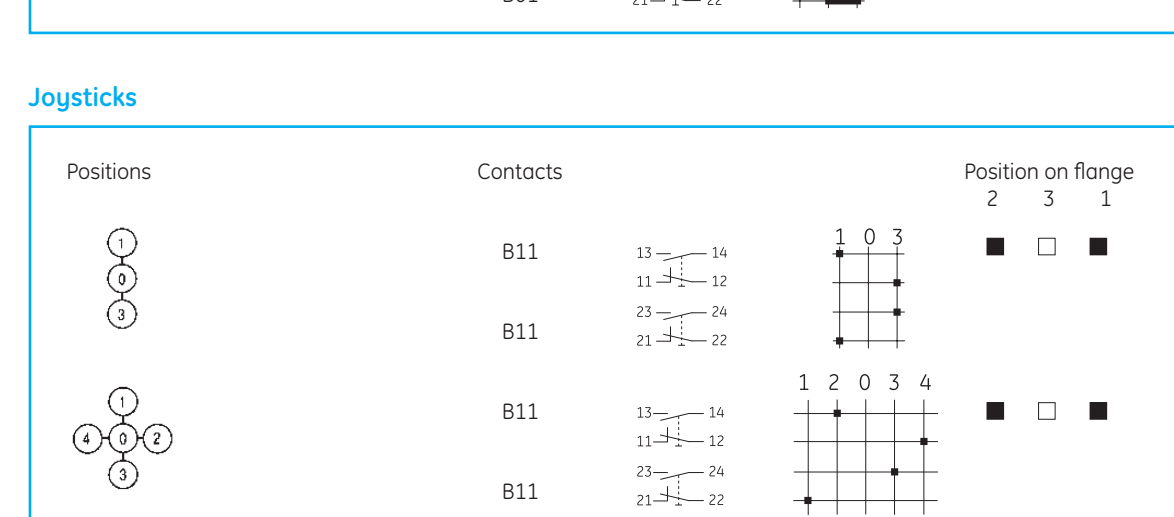
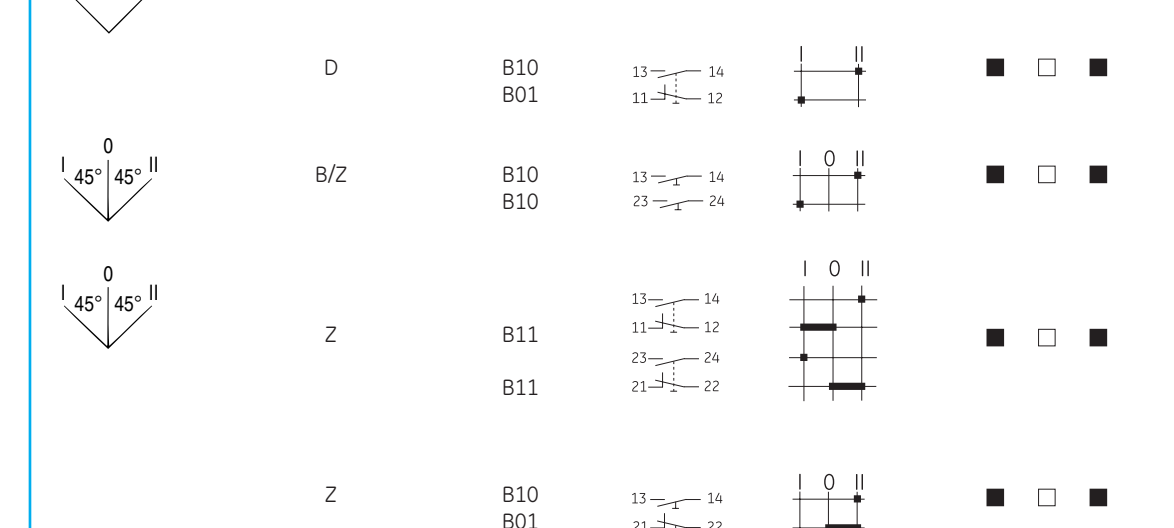
Contact blocks	Cat. nr.	Ref. nr.
Full voltage	<b>P9PDNV0</b>	187020
Resistor	<b>P9PRNVJ</b> <b>P9PRNVN</b>	187023 187024
Transformer 50/60 Hz	<b>P9PTNVJ</b> <b>P9PTNVN</b>	187030 187031
Multifunction <sup>(1)</sup>	<b>P9PDMVD</b> <b>P9PTMVJ</b> <b>P9PTMVN</b>	187040 187045 187046

Contact blocks	Cat. nr.	Ref. nr.
Full voltage 24V BA9S max. 380V-2W not included	<b>P9PDNB0</b>	187070
24V AC/DC 120V AC/DC 230V AC/DC	<b>P9PLNB DR*</b> <b>P9PLNB JR*</b> <b>P9PLNB NR*</b>	197040 197046 197052

Contact blocks	Cat. nr.	Ref. nr.
24V AC/DC 120V AC/DC 230V AC/DC	<b>P9 PLN VDR*</b> <b>P9 PLN VJR*</b> <b>P9 PLN VNR*</b>	197004 197010 197016
24V AC/DC 120V AC/DC 230V AC/DC	<b>P9 PLF VDR*</b> <b>P9 PLF VJR*</b> <b>P9 PLF VNR*</b>	197022 197028 197034



Control units using same operators of standard plastic panel mounting devices	Cat. nr.	Ref. nr.
Full voltage <math>\cong</math> BA9S max. 380V-2W not included	<b>P9PDNB0</b>	187070
24V AC/DC 120V AC/DC 230V AC/DC	<b>P9 PLNB DR*</b> <b>P9 PLNB JR*</b> <b>P9 PLNB NR*</b>	197040 197046 197052



Catalogue number structure <sup>(1)</sup>

Push-buttons

STYLE	FORM	TYPE	CAP COLOUR	PUSH-BUTTON TYPE	LENS TYPE
M = Round satin chrome X = Round plastic S = Square plastic	P = Push-Button	N = Non illuminated L = Illuminated	N = Black R = Red V = Green G = Yellow L = Blue B = White	G = Flush S = Extended E = Recessed	D = Diffuser for illuminated push-button only

Selector switches

STYLE	FORM	TYPE	CAM	SPRING RETURN	COLOUR
M = Round satin chrome X = Round plastic S = Square plastic	S = Selector switches	M = Knob V = Lever L = Illuminated Knob	D = 2 positions Z = 3 positions	0 = Fixed 3 = From left & right L → 0 ← R 1 = L → 5 = ← R	N = Black R = Green V = Yellow G = Blue

Pilot lights

STYLE	FORM	TYPE	LENS TYPE
M = Round satin chrome X = Round plastic S = Square plastic	L = Pilot light	R = Red V = Green G = Yellow B = White	D = Diffused

Contact blocks

FORM	NORMALLY OPEN CONTACTS	NORMALLY CLOSED CONTACTS	TERMINAL TYPE	CONTACT TYPE
B = Contact Block	0 = None 1 = 1 NO	0 = None 1 = 1 NO	V = Standard screw B = Base mounting screw F = Faston	N = Normal A = Early closing R = Late opening

Power supplies

FORM	TYPE	STYLE	TERMINAL TYPE	VOLTAGE
P = Power supplies	D = Full voltage R = Resistor T = Transformer L = Led	0 = Normal M = Multi-function continuous/blinking D = Diode L = Long life T = Test F = Flashing	V = Standard screw B = Base mounting screw F = Faston	0 = Full voltage D = 24V J = 110-120V N = 220-240V

<sup>(1)</sup> Nomenclature keys are indicative only. Do not use for orders.

The complete range is shown in our general catalogue "Control and Automation Products"



Main features

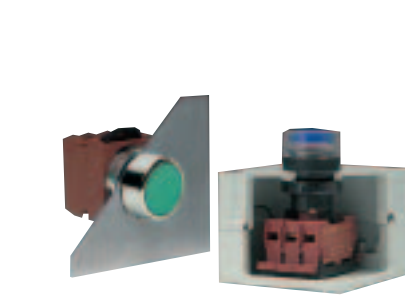


Shape, material and colours

The P9 line offers three types of operators:

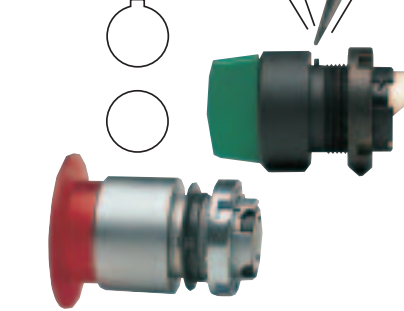
- round in satin chrome metal
- round in engineered thermoplastic
- square in engineered thermoplastic

Modern ergonomic P9 actuators are available in a wide variety of colours and styles, and are the result of superior industrial design experience. SERIES P9 satisfies any sophisticated industrial applications.



Mounting system

The P9 line offers a wide variety of operators, contact blocks and power supplies for panel mounting. Furthermore a range of contact blocks and power supplies are available for base mounting. The base mounting option is simple thanks to plastic enclosures fitted with a standard mounting adaptor, which allows a snap-on and secure fastening.

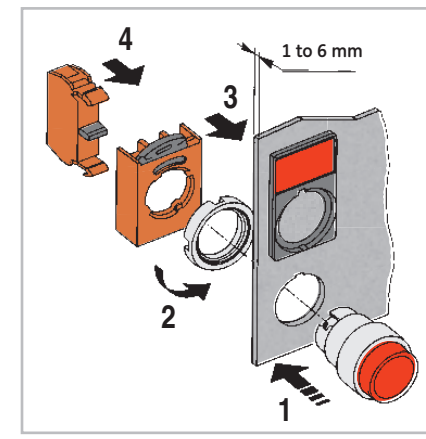


Fitting and positioning

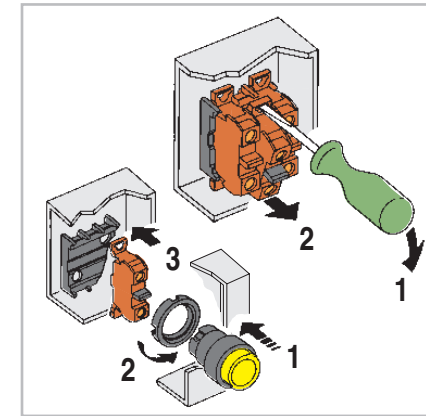
All the P9 operators are fitted with seal to ensure IP66 degree of protection. A correct tab on the operator allows the correct positioning on panels with holes drilled according to CENELEC EN 50007 standards (with notch). The tab also ensures panel stability and prevents unwanted rotations. The tab can be removed with a screwdriver for applications in holes without notch.

Technical data

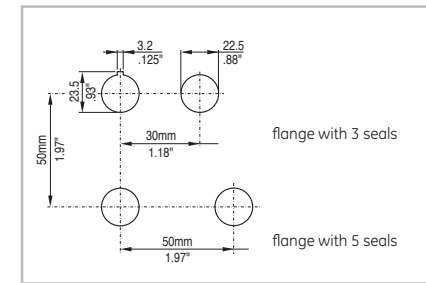
Panel mounting



Base mounting



Mounting



Fitted for panels 1 to 6 mm thick with holes drilled according to CENELEC EN 50007 standards.

Compliance with standards

IEC 947.5.1 - VDE 0660 - NF-C63140  
CEI EN 60947.5.1 - UTE - BSI  
NEMA - CENELEC EN 50007

Approvals

cULus B - RINA (I)  
Lloyd's Register of Shipping (U.K.) - GOST  
Bureau Veritas (F)  
CE

Climatic protections

- The standard versions are suitable for use in the following climates:
- Temperate climate  
cat. 23/50 (DIN 50014)
- Wet climate  
cat. 23/83 (DIN 50015)
- Hot wet climate  
cat. 40/92 (DIN 50015)
- Variable wet climate  
cat. FW24 (DIN 50016)

Temperature ranges

- Operation: from - 25°C up to + 70°C
- Storage: from - 40°C up to + 70°C

Degree of protection of the operators

IP66 according to CENELEC EN 60529 when they are mounted into enclosures with the same or a higher degree of protection. Suitable for using into enclosures NEMA type 1-3-3R-3S-4-4X-12-13 according to UL 508.

Degree of protection of the terminals

IP2x according to CENELEC EN 60529

Shock resistance

(according to MIL 202 B method 202 A) 1/2 sinusoid 11 ms:  
No damage or disassembling at 100 G for all devices (except for the illuminated operators with transformer 38 G).

Vibration resistance

(according to IEC 68-2-6) 16 G with frequency range from 40 to 500 Hz and maximum shifting 0.75 mm. (peak-to-peak).

Rated insulation voltage

690V according to EN 60947.1

Impulse withstand voltage

4 kV according to EN 60947.1

Electric shock protection

- Class I according to IEC 536 for metal operators
- Class II (double insulation) according to IEC 536 for plastic operators.

Short-circuit protection

With fuses type gG of 16A according to IEC 269.1 and 269.3.

Electrical resistance of the contact

≤ 25 m Ω according to IEC 255, cat 3

Performances of the contacts

- Slow action
- Self-cleaning sliding
- NC "positive opening"
- Double movable contact
- Four switching points
- Double break

Identification of the terminals

According CENELEC EN 50013

Electrical performances

Rated thermal current I<sub>th</sub> = 10A  
Performances according IEC 947.5.1

Category AC15

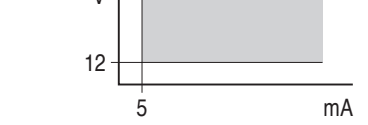
Voltage U <sub>e</sub> (V)	24	48	60	110	220	380	500	600
Current I <sub>e</sub> (A)	10	10	10	6	3	2	1.5	1.2

Category DC 13

Voltage U <sub>e</sub> (V)	24	48	60	110	220	300
Current I <sub>e</sub> (A)	2.5	1.4	1	0.55	0.27	0.2

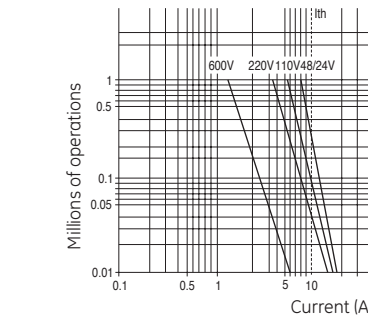
Performances according to CSA and UL AC/Heavy Duty (A600) - DC/Standard Duty (Q300)

Minimum operating range

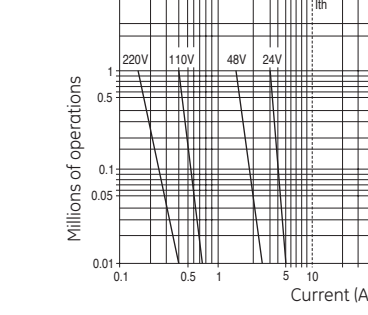


Electrical life

Alternate current 50/60 Hz cat. AC15



Direct current cat. DC 13



Common accessories

Bulbs BA9s

Filament type	Vn	Wn	Cat. nr.	Ref. nr.
6	0.6		BA9S606	187850
6	1.5		BA9S615	187851
12	2.0		BA9S122	187852
24	2.0		BA9S242	187853
30	2.1		BA9S30	187854
48	2.0		BA9S48	187855
60	1.2		BA9S6012	187856
130	2.0		BA9S130	187857

Mono led

Vn AC/DC ± 10%	Cat. nr.	Ref. nr.
6	BA9S6LR*	187871
12	BA9S12LR*	187881
24	BA9S24LR*	187891
48	BA9S48LR*	187901
110	BA9S110LR*	187911
Vn AC ± 10%	Cat. nr.	Ref. nr.
230	BA9S230LR*	187921

\* Colour palette:

Insert holders

Supplied with neutral insert engravable on both sides	Cat. nr.	Ref. nr.
Standard 30 x 50 mm	P9ARTBS P9ASTBS	188000 188010

Round plates

For emergency push-buttons diameter 59 mm (yellow background)	Cat. nr.	Ref. nr.
Emergenza	080XTGR01	179525
Emergency Stop	080XTGR02	179526
Arrêt d'urgence	080XTGR03	179510
Not - Aus	080XTGR04	179527
Noodstop	080XTGR05	179528
Paro Emergencia	080XTGR06	179529

Plugs

Round	Cat. nr.	Ref. nr.
Square 30x30mm	P9ARHPR	187491
Rectangular 30x50mm	P9ASHPS P9ASHPS	187792 187793

Tools

Locking ring wrench	Cat. nr.	Ref. nr.
Bulb extractor	P9ACWAF	187845
Extractor for caps and lenses	080ESL P9ASEBG	170212 187795

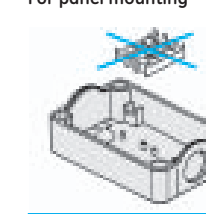
Push-button stations

Empty versions in thermoplastic IP66

Light grey coloured  
Panel or base mounted



Cover with holes  
Knockouts conduit entry



Accessories

Write-on plates

Bliminated, self adhesive,  
20 x 20 mm  
Black background engravable  
for white texts

Without text

With text (I)

(I) Other languages on request

With symbols

Earth terminal clamp

Empty versions in aluminium alloy

Grey coloured RAL 7012

Panel mounting

Cover with holes

1

2

3

4

6

8

12

18

35

080SP1

080SP2

080SP3

080SP4

080SP6

080SP8

080SP12

080SP18

080SP35

No of holes

Cat. nr.

Ref. nr.

1 (yellow cover)

P9EPEG1

189000

P9EPE01

189001

P9EPE02

189002

P9EPE03

189003

P9EPE04

189004

P9EPE06

189005

P9AELN

189030

START

STOP

FORWARD

REVERSE

CLOSE

OPEN

UP

DOWN

LEFT

RIGHT

P9AELN202

189031

P9AELN201

189032

P9AELN214

189033

P9AELN215

189034

P9AELN205

189035

P9AELN206

189036

P9AELN204

189037

P9AELN203

189038

P9AELN222

189152

P9AELN224

189154

P9AELN006

189041

P9AELN028

189042

P9AELN029

189043

P9AELN035

189044

P9AELN038

189045

P9AELN039

189046

P9AELN042

189047

P9AEMT

189029

080SP1

170801

080SP2

170802

080SP3

170803

080SP4

170804

080SP6

170806

080SP8

170807

080SP12

170808

080SP18

170809

080SP35

170811

Equipped versions in thermoplastic IP66, one unit



Operators

Colour

Diagram

Namepl.

Cat. nr.

Ref. nr.

Flush push-button

green

I

P9EPA01Y02

189010

Flush push-button

white

I

P9EPA01Y03

189011

Emergency push-button with latch according to EN418 (on yellow cover)

red

0

P9EPAG1Y01N

189007

Flush push-buttons

black

↑

P9EPA03Y05

189022

Flush push-buttons

red

0

## X-ON Electronics

Largest Supplier of Electrical and Electronic Components

*Click to view similar products for [Tactile Switches](#) category:*

*Click to view products by [General Electric](#) manufacturer:*

Other Similar products are found below :

[KMR633NG LFG](#) [5GTH9202242](#) [6426-201-11343](#) [MJ1226](#) [MJTP1109B](#) [MJTP1138EAUTR](#) [MJTP1230BL](#) [MJTPSHW](#) [GS6.90F300QP](#) [1-1977223-0](#) [1-1977120-4](#) [ADTSA62NV](#) [ADTSA62RV](#) [ADTSA63KV](#) [ADTSA644NV](#) [ADTSM24NVTR](#) [ADTSMW66NV](#) [ADTSMW67RV](#) [ATM533VTR](#) [1571300-3](#) [B3F-3123](#) [B3F-6055A](#) [B3F-B32-01-KIT](#) [1977177-8](#) [1977266-1](#) [2-1977223-4](#) [2-1977223-7](#) [ADTS644KV](#) [ADTSA61RV](#) [ADTSA62KV](#) [ADTSA63NV](#) [ADTSA63RV](#) [ADTSA65NV](#) [ADTSM21NSVTR](#) [ADTSM25RVTR](#) [ADTSM31RVTR](#) [ADTSM32NVTR](#) [ADTSM61YVTR](#) [ADTSM63SVTR](#) [ADTSM644KVTR](#) [ADTSMW64RV](#) [ADTSMW69NV](#) [FSMRA4JHA04](#) [GS4.70F300QP](#) [D38999/20JJ37SA](#) [TL1105B](#) [TL1105J](#) [ATH447K2Q](#) [ATM534VTR](#) [MJ1215](#)