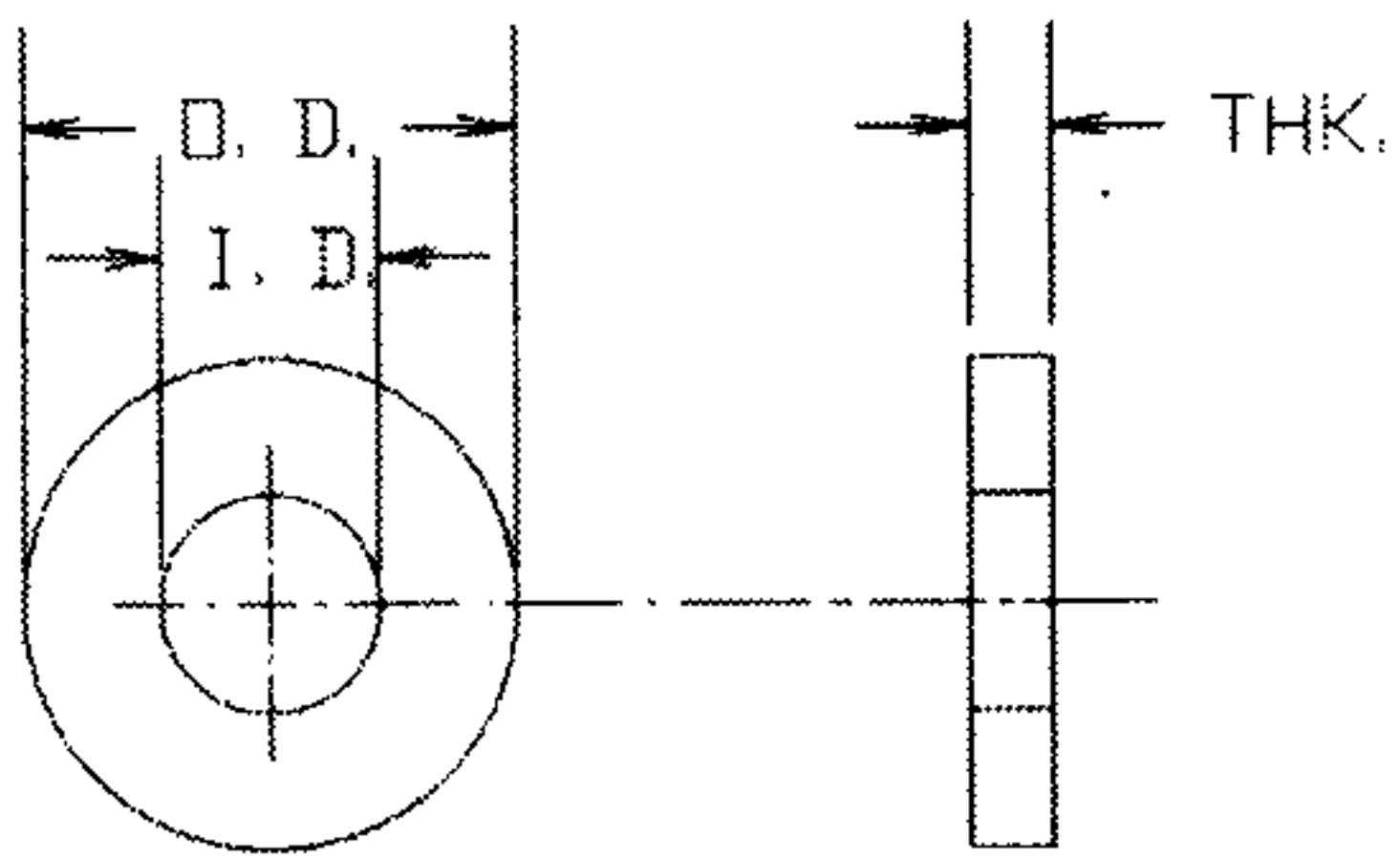


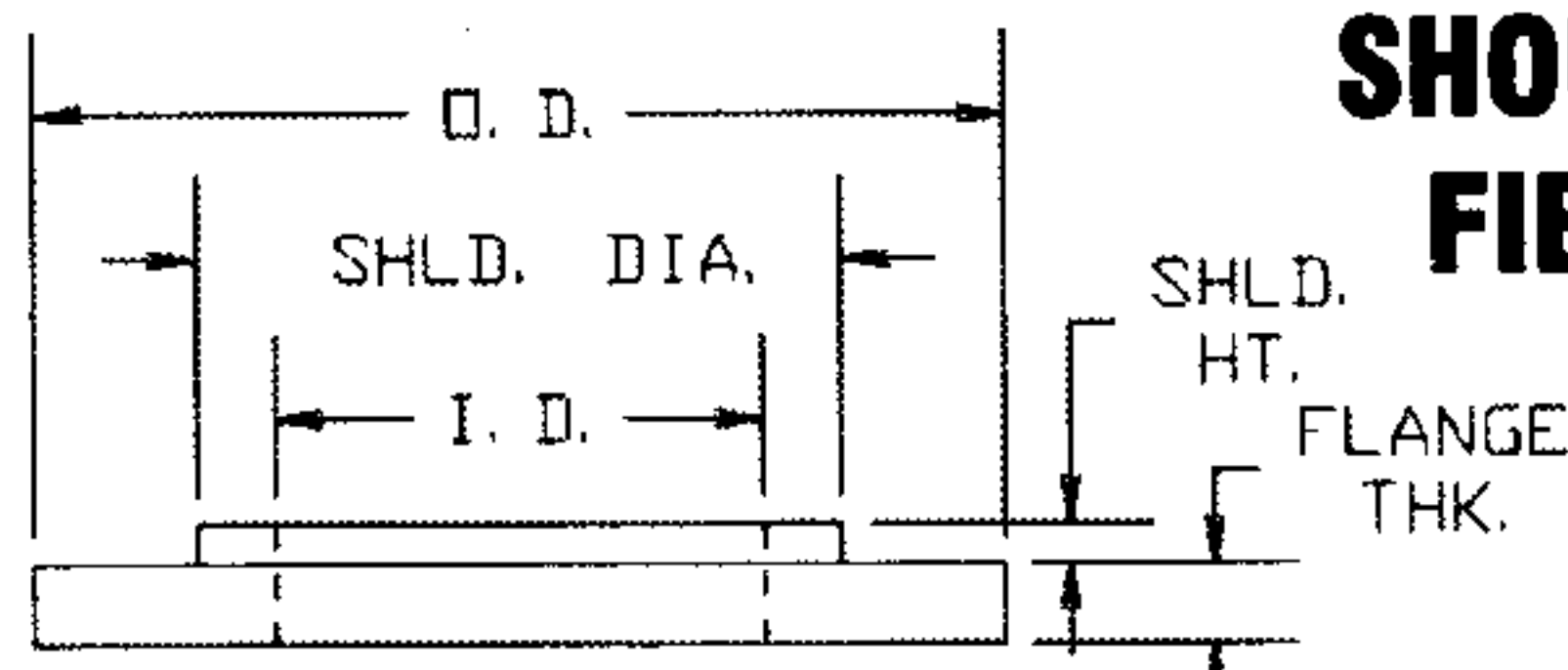
HARDWARE

FLAT WASHERS NYLON AND FIBRE



NYLON			SCREW CLEARANCE	O.D.	I.D.	FIBRE		
.032 THK. PART NO.	.047 THK. PART NO.	.062 THK. PART NO.				.032 THK. PART NO.	.047 THK. PART NO.	.062 THK. PART NO.
760-2518	760-2540	760-2562	#2	.187	.098	760-1518	760-1540	760-1562
760-2501	760-2541	760-2563		.250		760-1501	760-1541	760-1563
760-2519	760-2542	760-2564		.312		760-1519	760-1542	760-1564
760-2520	760-2577	760-2502	#4	.250	.120	760-1520	760-1503	760-1502
760-2521	760-2543	760-2565		.312		760-1521	760-1543	760-1565
760-2522	760-2544	760-2566		.375		760-1522	760-1544	760-1566
760-2523	760-2545	760-2504	#6	.250	.140	760-1523	760-1545	760-1504
760-2524	760-2546	760-2567		.312		760-1524	760-1546	760-1506
760-2525	760-2547	760-2568		.375		760-1525	760-1547	760-1508
760-2526	760-2548	760-2507	#8	.312	.171	760-1526	760-1548	760-1509
760-2527	760-2549	760-2569		.375		760-1527	760-1549	760-1510
760-2528	760-2550	760-2570		.437		760-1528	760-1550	760-1511
760-2529	760-2551	760-2509	#10	.312	.196	760-1529	760-1551	760-1512
760-2530	760-2552	760-2510		.375		760-1530	760-1552	760-1513
760-2531	760-2553	760-2511		.437		760-1531	760-1553	760-1514
760-2532	760-2554	760-2512	1/4	.500	.260	760-1532	760-1554	760-1515
760-2533	760-2555	760-2513		.500		760-1533	760-1555	760-1516
760-2534	760-2556	760-2514		.625		760-1534	760-1556	760-1517
760-2535	760-2557	760-2515	3/8	.625	.385	760-1535	760-1557	760-1518
760-2536	760-2558	760-2516		.750		760-1536	760-1558	760-1519
760-2537	760-2559	760-2517		.750		760-1537	760-1559	760-1520
760-2538	760-2560	760-2518	1.000	.750	.385	760-1538	760-1560	760-1521
760-2539	760-2561	760-2519		.750		760-1539	760-1561	760-1522

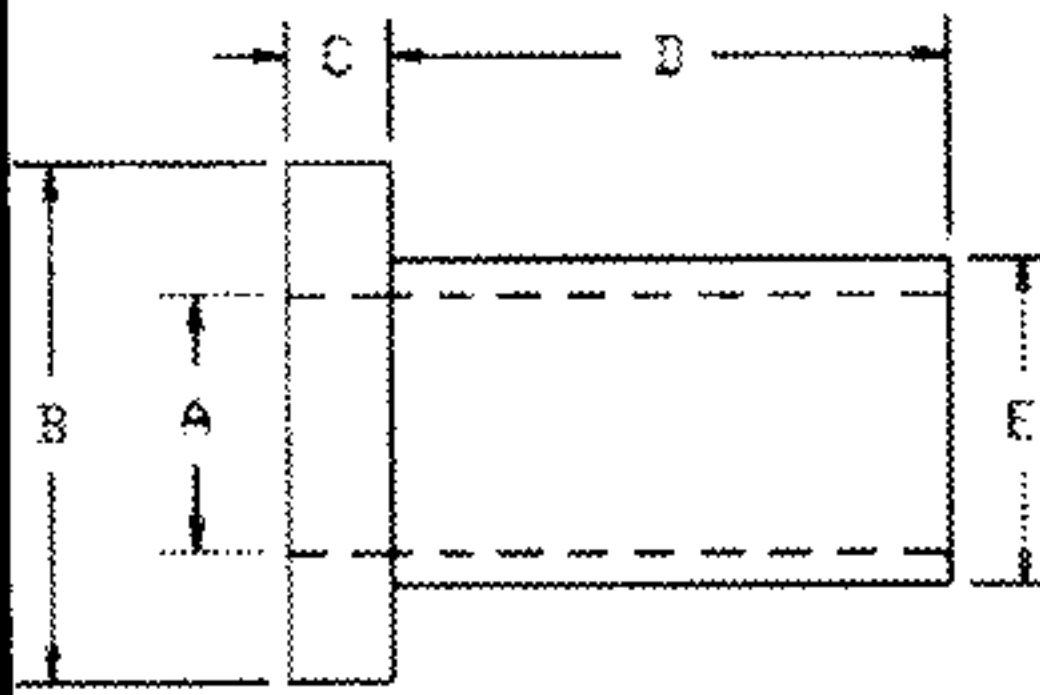
SHOULDER WASHERS FIBRE AND NYLON



FIBRE PART NO.	NYLON PART NO.	SCREW CLEAR	I.D.	O.D.	FLANGE THK.	SHLD. THK.	SHLD. DIA.
760-1002	760-2002	2	.093	.250	.030	.025	.154
760-1004	760-2004	4	.115	.250	.031	.031	.187
760-1006	760-2006	6	.141	.250	.062	.031	.187
760-1008	760-2008	6	.141	.312	.062	.031	.187
760-1010	760-2010	6	.141	.375	.062	.031	.240
760-1012	760-2012	8	.167	.375	.062	.031	.246
760-1014	760-2014	10	.194	.375	.062	.031	.308
760-1016	760-2016	1/4	.253	.500	.062	.031	.308
760-1018	760-2018	17/64	.265	.500	.062	.031	.365
760-1020	760-2020	3/8	.385	.625	.062	.031	.498
760-1022	760-2022	3/8	.378	.750	.062	.031	.498

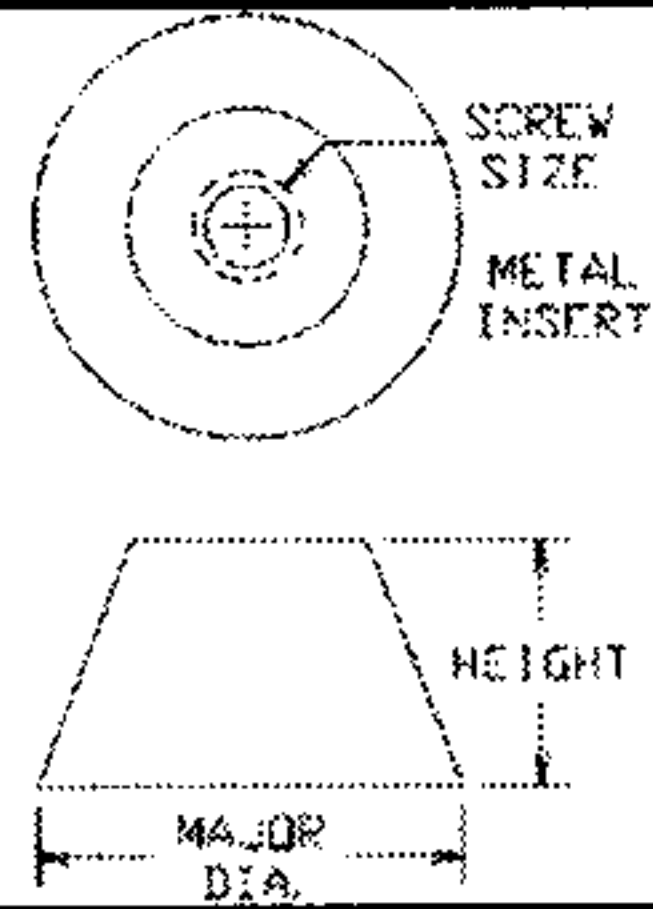
NYLON SPACER BUSHINGS

Natural color Nylon 6/6 per ASTM D4086



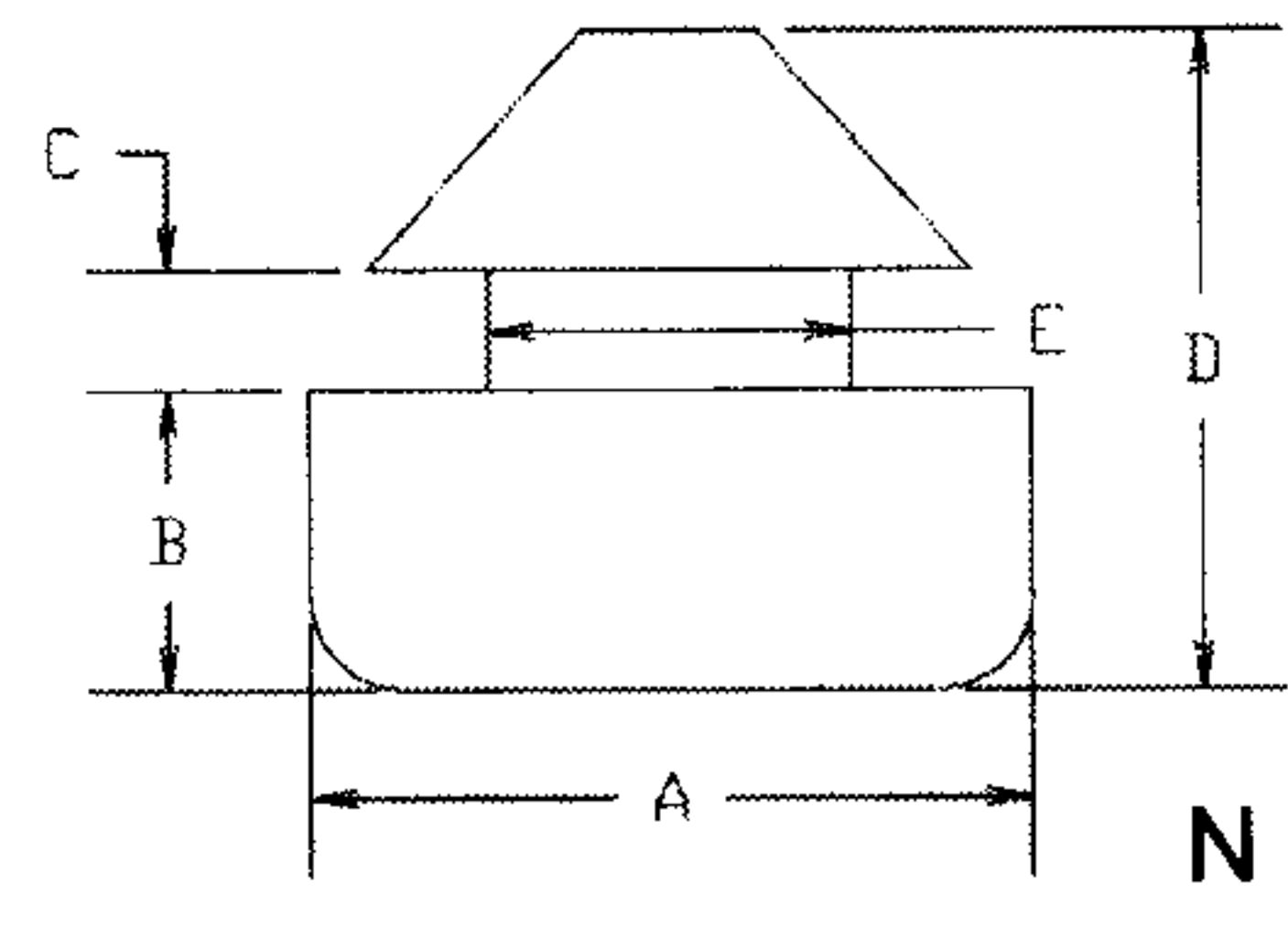
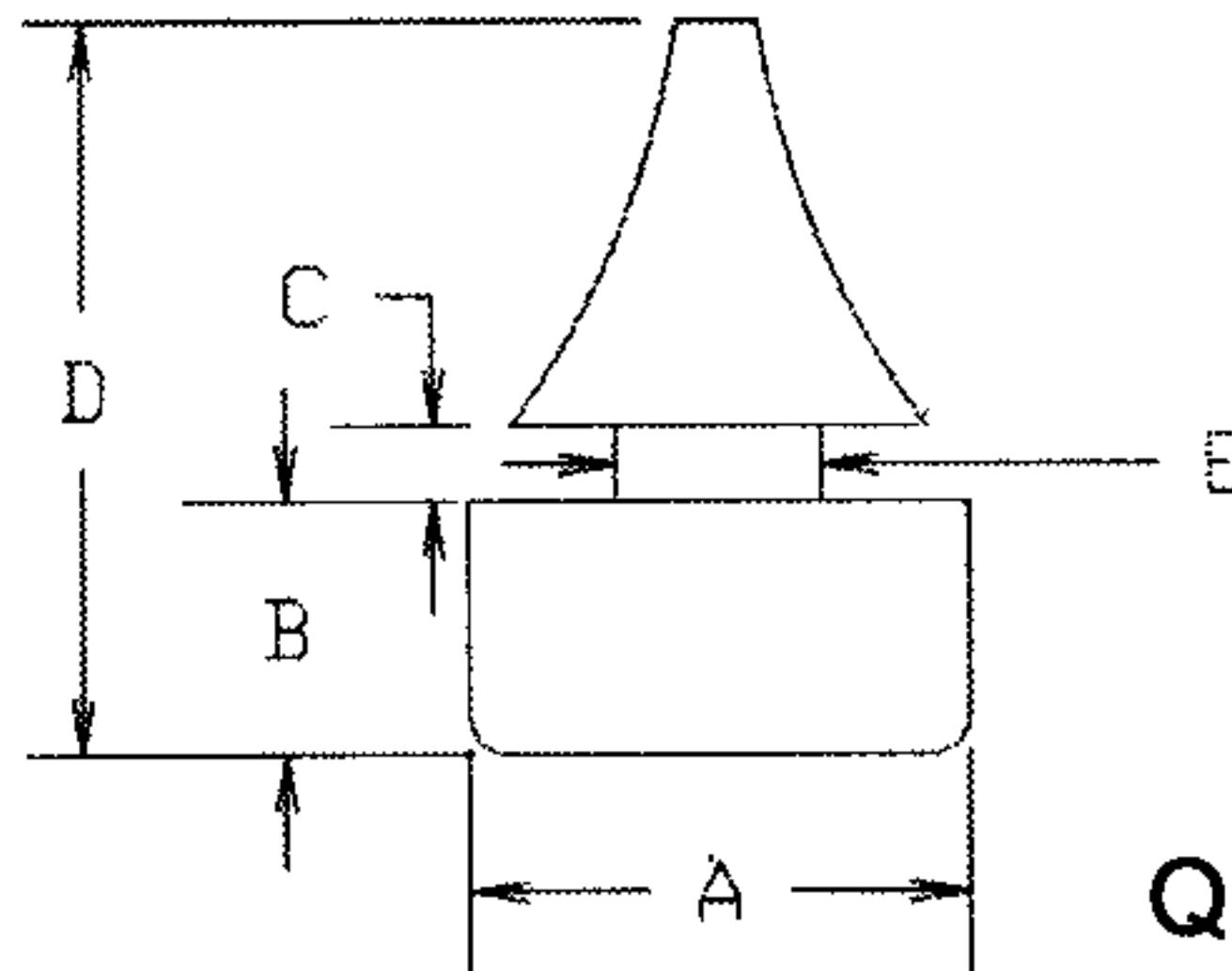
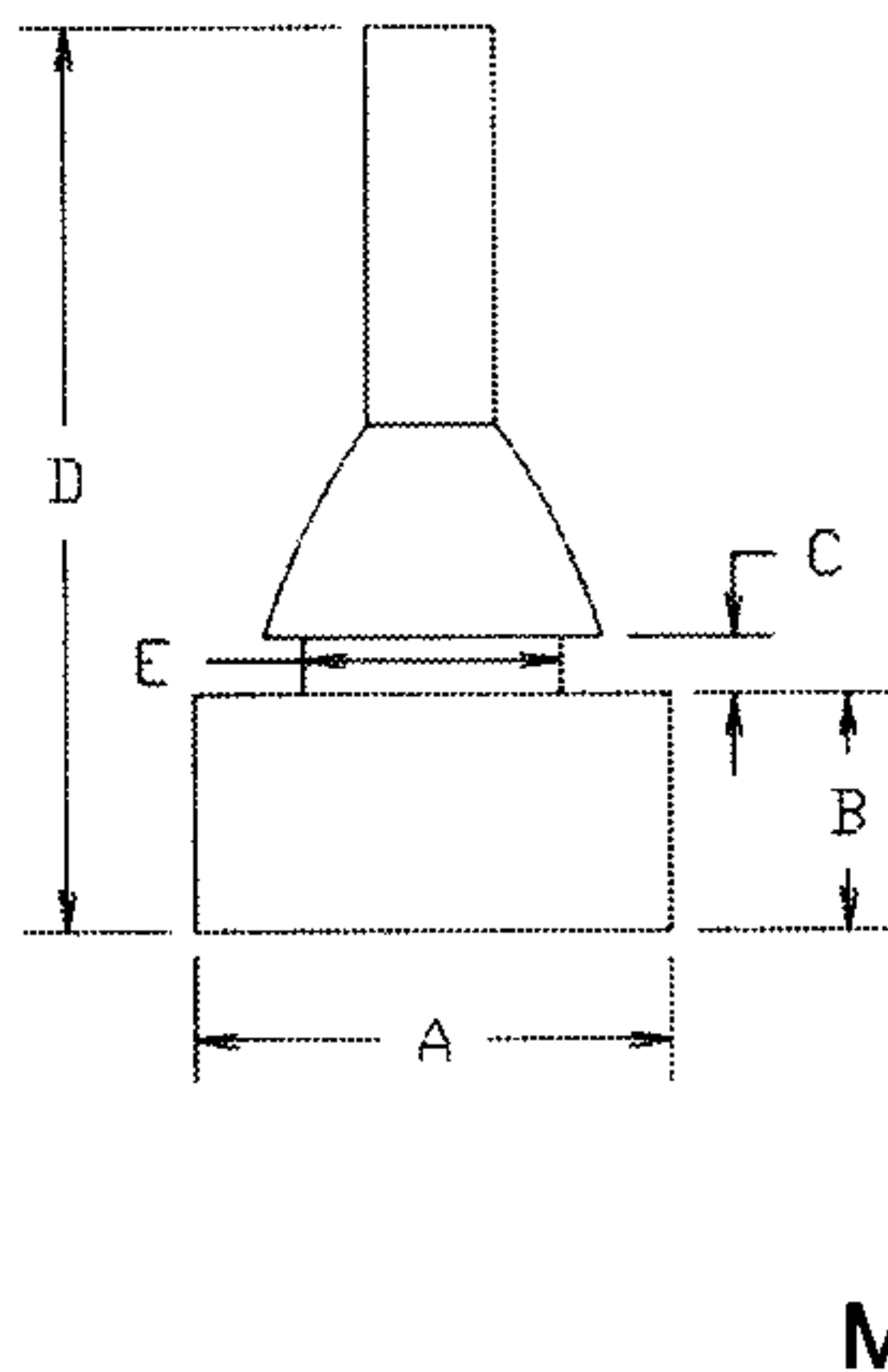
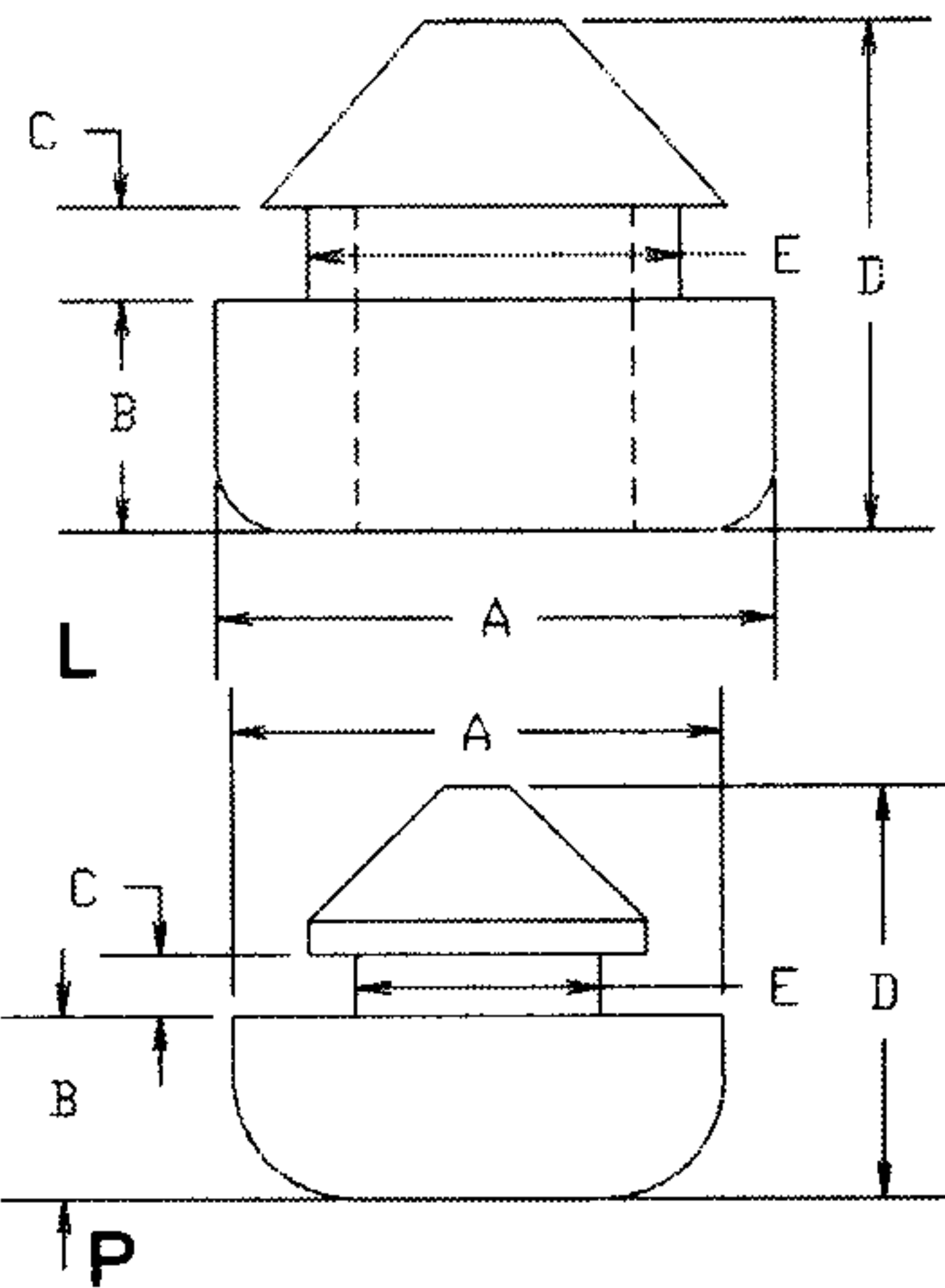
PART NO.	I.D.(A)	B	C	D	E
760-2025	#4 (.115)	.235	3/64	1/4	.147
760-2026	#6 (.140)	.290	3/64	1/4	.170
760-2027	#8 (.170)	.344	1/16	3/8	.205
760-2028	#10 (.200)	.399	1/16	3/8	.260
760-2029	1/4" (.260)	.513	1/16	3/8	.312

VINYL CABINET FEET



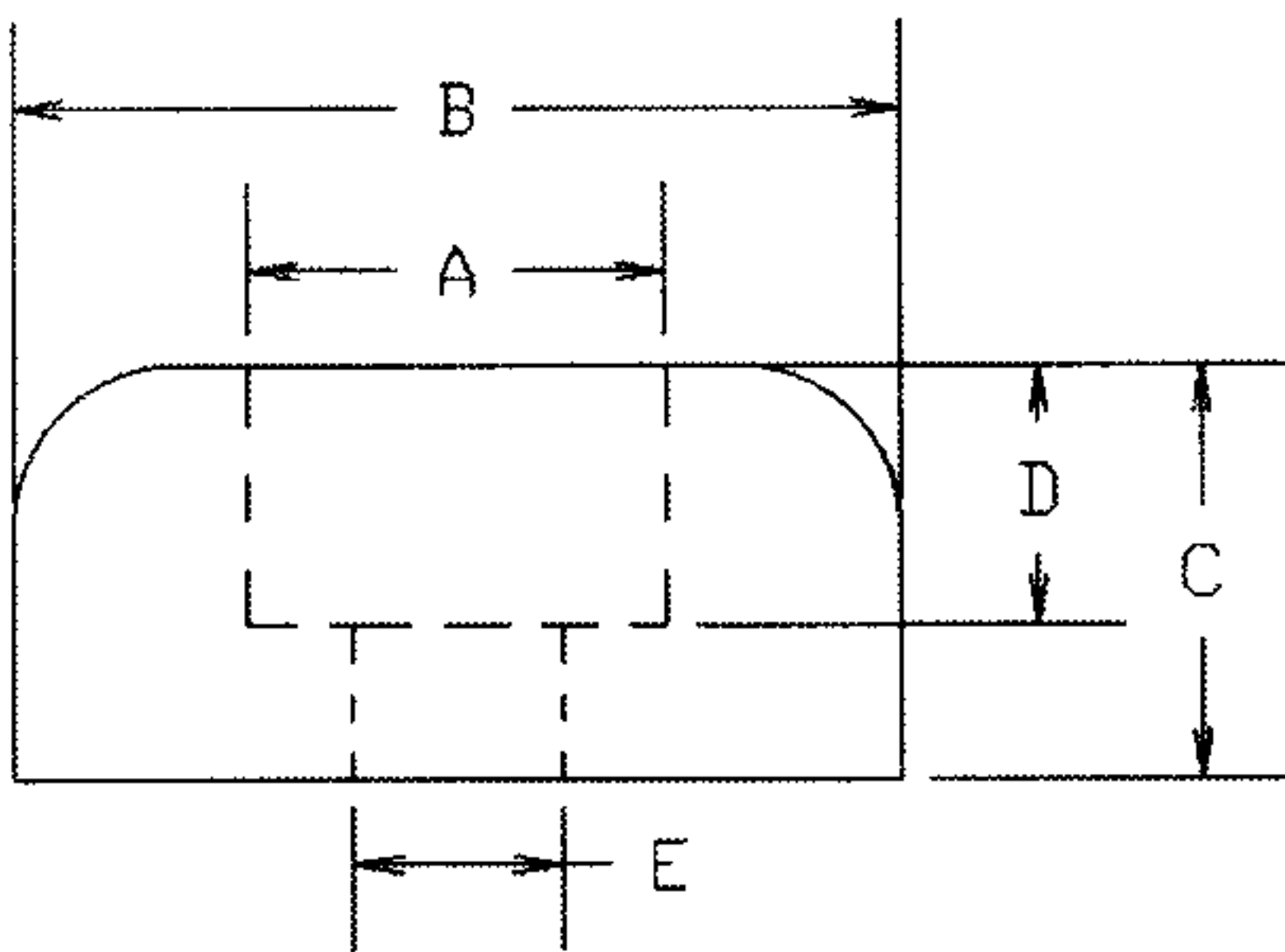
PART NO.	SCREW SIZE	HT	MAJ. DIA.	COLOR
760-3570	4	3/8	9/16	BLK
760-3571	6	7/16	3/4	BLK
760-3572	8	5/8	15/16	BLK
760-3573	6	1/4	11/16	GRAY
760-3574	8	5/16	7/8	GRAY
760-3575	10	7/16	1-1/16	GRAY

SNAP - IN BUMPERS MATERIALS : BLACK BUNA-S SYNTHETIC RUBBER



PART NO.	FIG.	CHASSIS HOLE "E"	O.D. "A"	HEIGHT "B"	CHASSIS THICK "C"	LENGTH "D"
760-3560	L	5/32	5/16	15/64	3/64	25/64
760-3561	M	13/64	3/8	3/16	3/64	23/32
760-3562	N	1/4	3/8	5/32	1/16	11/32
760-3563	P	1/4	1/2	3/16	1/16	27/64
760-3564	Q	1/4	9/16	5/16	3/32	29/32

RUBBER RECESS BUMPERS



PART NO.	A	B	C	D	E	PART NO.	WITH SCREW & NUT SCREW SIZE
760-3520	1/4	17/32	1/4	5/32	1/8	760-3530	4-40 X 3/8
760-3521	5/16	5/8	5/8	5/16	11/64	760-3531	8-32 X 1/2
760-3522	1/4	11/16	13/32	7/32	1/8	760-3532	4-40 X 3/8
760-3523	7/32	23/32	17/32	1/4	3/32	760-3533	2-56 X 1/2
760-3524	1/4	3/4	17/64	1/8	1/8	760-3534	4-40 X 3/8
760-3525	3/8	25/32	9/16	5/16	3/16	760-3535	8-32 X 1/2
760-3526	1/4	1	1	5/8	1/8	760-3536	4-40 X 1
760-3501	1/4	1/2	1/4	1/8	1/8	760-3505	6-32 X 1/2
760-3502	1/4	5/8	5/16	5/32	1/8	760-3506	6-32 X 1/2
760-3503	5/16	3/4	13/32	1/4	5/32	760-3507	6-32 X 1/2
760-3504	9/32	5/8	9/32	1/8	5/32	760-3508	6-32 X 1/2

WITH MOLDED IN WASHERS

MATERIAL: RUBBER - BLACK BUNA-S SYNTHETIC RUBBER

PART NO.	A	B	C	D	E	PART NO.	WITH SCREW & NUT SCREW SIZE
760-3540	1/4	17/32	1/4	5/32	1/8	760-3550	4-40 X 3/8
760-3541	1/4	11/16	7/16	3/16	1/8	760-3551	4-40 X 3/8
760-3542	1/4	3/4	17/64	1/8	1/8	760-3552	4-40 X 3/8
760-3543	3/8	25/32	9/16	5/16	3/16	760-3553	8-32 X 1/2
760-3509	3/8	15/16	3/8	3/16	3/16	760-3510	8-32 X 1/2



X-ON Electronics

Largest Supplier of Electrical and Electronic Components

Click to view similar products for [Screws & Fasteners](#) category:

Click to view products by [Concord](#) manufacturer:

Other Similar products are found below :

[5721-1440-1/4-SS](#) [593503FX](#) [0098.0094](#) [0098.9206](#) [0098.9219](#) [0098.9221](#) [0098.9262](#) [596-2114-013](#) [59781-4](#) [59781-6](#) [0098.0026](#)
[0098.9210](#) [0098.9212](#) [60227-01](#) [60227-04](#) [60227-08](#) [60228-09](#) [618-00001](#) [62153-03](#) [62153-11](#) [M316-KSSTMCZ100](#) [M3440-SS](#) [M3442-SS](#) [M3448-SS](#) [6291A](#) [6292-1](#) [6-306105-9](#) [6-306131-4](#) [690432-1](#) [699161-000](#) [700989](#) [7-18023-1](#) [7-21002-8](#) [7230-3](#) [7235-3](#) [7248-1](#) [7248-2](#)
[73542-02](#) [CAPTIVE SHORT THUMBSCREW](#) [745564-1](#) [748174-2](#) [F03-02](#) [SUS316](#) [F1209](#) [751-00001](#) [80011](#) [809704-1](#) [8700](#) [8860220](#)
[9047](#) [95000002B](#) [9885-2](#)