



# PA76

**Pillar Terminal Block  
(12 poles)**



## TECHNICAL DATA

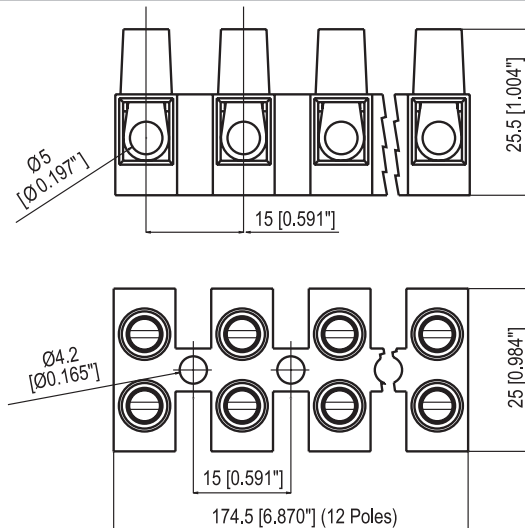
	IEC Standards	American Standards
<b>Ratings</b>	750V - 57A	600V - 50A
<b>Wire size</b>	10.0 sqmm	18 ÷ 8 AWG
<b>Working Temperature</b>	- 5 ÷ 125°C (short time 155°C)	23 ÷ 221°F
<b>Plastic Material</b>	Polyamide PA6.6 natural colour, UL94 V2, GWT 960°C	
<b>Metal Parts</b>	Cage insert made in nickel plated brass; M4 Captive screw made in zinc plated steel	
<b>Accessories</b>	PA297 - PA52	

Approvals	File Nr.	Ratings (sqmm/AWG - V - A - T)	Standard References
	CA02.00595	10.0 sqmm - 750V - 57A - 125°C	EN 60998-1; EN 60998-2-1
	CA02.00595	10.0 sqmm - 750V - 57A - 125°C	EN 60998-1; EN 60998-2-1
	121168	4.0 sqmm (flexible) - 6.0 sqmm (rigid) - 450V - 41A - 125°C	DIN EN 60998-1; DIN EN 60998-2-1 (VDE 0613)
	E76048 vol. 1 sec. 5	18 ÷ 8 AWG - 600V - 50A - 105°C	UL 1059; CSA C22-2 N.158-1987
	LR 40455	18 ÷ 8 AWG - 600V - 55A	CSA C22-2 N.158-1987; E.C.N 584B

## PACKAGING

Type	P-N	Pack.	Dim. Pack. (LxHxP)	Weight (Kg)
PA 76/12P	103012	200	40x20x40	21.0

DIMENSIONAL  
DRAWING



## X-ON Electronics

Largest Supplier of Electrical and Electronic Components

*Click to view similar products for [hylec manufacturer](#):*

Other Similar products are found below :

[LN167001](#) [50.625 PA/3X7](#) [50.620 PA/R](#) [DESTB-1003](#) [THB.406.A1G](#) [THB.387.A4A.R](#) [K150-1032-00](#) [GHG9601955R0004](#) [K151-1032-00](#)  
[HYKS-07612PP](#) [THB.382.A1A-KIT](#) [THB.390.A1AKIT](#) [THK.404.X2A00-F](#) [50.216 ES](#) [50.616M/EMVDL-F](#) [50.625 ES](#) [PA244SKIT](#)  
[THB.387.A3A](#) [THB.405.A2A](#) [50.220 M-F](#) [HY435/12 FV](#) [THB110A6B-F](#) [50.216 M-F](#) [THB.387.B5A](#) [5625////1121](#) [THB.380.3ASSY](#)  
[THB.405.A2G](#) [THA.209.A1A](#) [DESTB-1002](#) [THB.384.A1A](#) [K257-1012-00](#) [6000302CC](#) [TTK25BK-SD-F](#) [TTK20GY-SD-F](#) [DESTB-0403](#)  
[THB.384.B1A](#) [50.625 PA/RSW](#) [HY508/3 V/3F](#) [5665/221](#) [THB.387.D4A](#) [THB.387.B4A](#) [THR.405.S5A](#) [THB.381.M2A](#) [THB.387.A5A](#)  
[THB.387.C5A](#) [THB.387.D3A](#) [50.625 M/EMVDL-F](#) [THK.200.3T](#) [THB.381.A2A](#) [K160-1040-00](#)