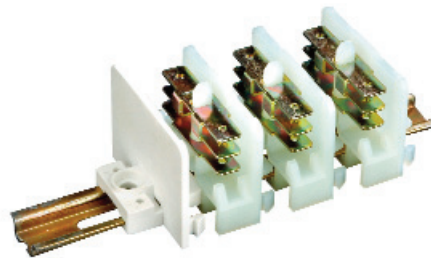





>> PA80 – PA81

**Interlocking Barrier
Terminal block.
PA 81: end plate for
modular PA 80**

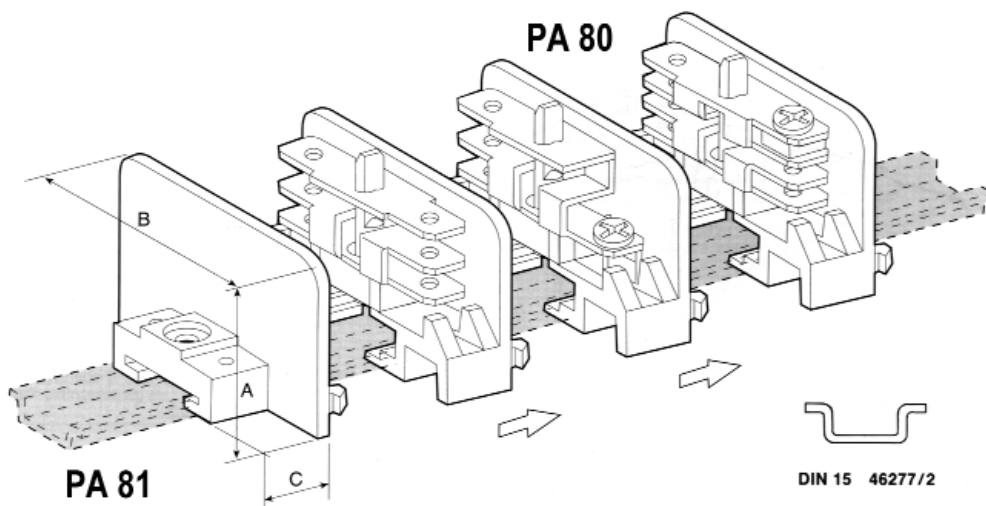


Technical data

	A	B	C
Dimensions mm (inches)	29 (1.14)	38 (1.49)	11 (0.43)
	IEC STANDARDS		AMERICAN STANDARDS
Versions	F/F: with tab-to-tab insert, V/F: with screw-to-tab insert, V/F.F: with screw to tab-tab insert, PA81: side closing module		
Ratings	450V - 20A		600V - 20A
Wire size	2.5 sqmm		22 ÷ 12 AWG (M4 12 lb/in)
Working Temperature	- 5 ÷ 110°C (short time 140°C)		23 ÷ 221°F
Plastic Material	Polyamide, UL94 V2, GWIT 775°C, GWFI 850°C		
Metal Parts	M4 (1.2Nm) zinc plated steel screw; 6.3 x 0.8 zinc plated steel tab insert; Other parts made in zinc plated steel		
Accessories	PA262		
Approvals	File Nr.	Ratings (sqmm/AWG - V - A - T)	Standard References
	CA02.00725	2.5 sqmm - 450V - 20A - 110°C	EN 60998-1; EN 60998-2-1; EN 61210
	40026814	2.5 sqmm - 450V - 20A (screw) / 15A (tab) - 110°C	EN 60998-1; EN60998-2-1; EN 61210 (VDE 0613)
	E76048 vol. 1 sec. 3	22 ÷ 12 AWG - 600V - 20A - 105°C	UL 1059; C22-2 N.158-1987

Dimensional drawing

I dati tecnici possono essere modificati senza preavviso. / The technical data can be subject to changes without notice.



X-ON Electronics

Largest Supplier of Electrical and Electronic Components

Click to view similar products for [hylec manufacturer](#):

Other Similar products are found below :

[LN167001](#) [50.625 PA/3X7](#) [50.620 PA/R](#) [DESTB-1003](#) [THB.406.A1G](#) [THB.387.A4A.R](#) [K150-1032-00](#) [GHG9601955R0004](#) [K151-1032-00](#)
[HYKS-07612PP](#) [THB.382.A1A-KIT](#) [THB.390.A1AKIT](#) [THK.404.X2A00-F](#) [50.216 ES](#) [50.616M/EMVDL-F](#) [50.625 ES](#) [PA244SKIT](#)
[THB.387.A3A](#) [THB.405.A2A](#) [50.220 M-F](#) [HY435/12 FV](#) [THB110A6B-F](#) [50.216 M-F](#) [THB.387.B5A](#) [5625////1121](#) [THB.380.3ASSY](#)
[THB.405.A2G](#) [THA.209.A1A](#) [DESTB-1002](#) [THB.384.A1A](#) [K257-1012-00](#) [6000302CC](#) [TTK25BK-SD-F](#) [TTK20GY-SD-F](#) [DESTB-0403](#)
[THB.384.B1A](#) [50.625 PA/RSW](#) [HY508/3 V/3F](#) [5665/221](#) [THB.387.D4A](#) [THB.387.B4A](#) [THR.405.S5A](#) [THB.381.M2A](#) [THB.387.A5A](#)
[THB.387.C5A](#) [THB.387.D3A](#) [50.625 M/EMVDL-F](#) [THK.200.3T](#) [THB.381.A2A](#) [K160-1040-00](#)