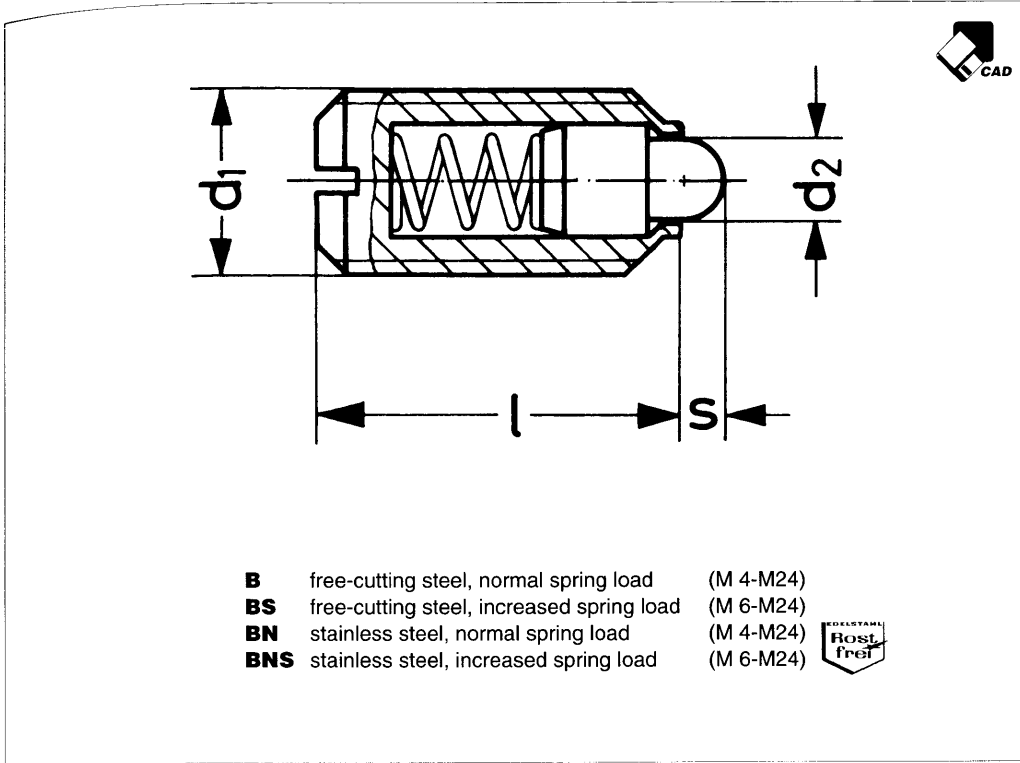


707 - 3021 / 3033 / 3045 / 3057 / **SPRING PLUNGERS**
with round-ended pin and slot



- B** free-cutting steel, normal spring load (M 4-M24)
- BS** free-cutting steel, increased spring load (M 6-M24)
- BN** stainless steel, normal spring load (M 4-M24)
- BNS** stainless steel, increased spring load (M 6-M24)



Material:

Model B and BS: Free cutting steel
Model BN and BNS: Stainless steel
(including round-ended pin & spring)

Finish:

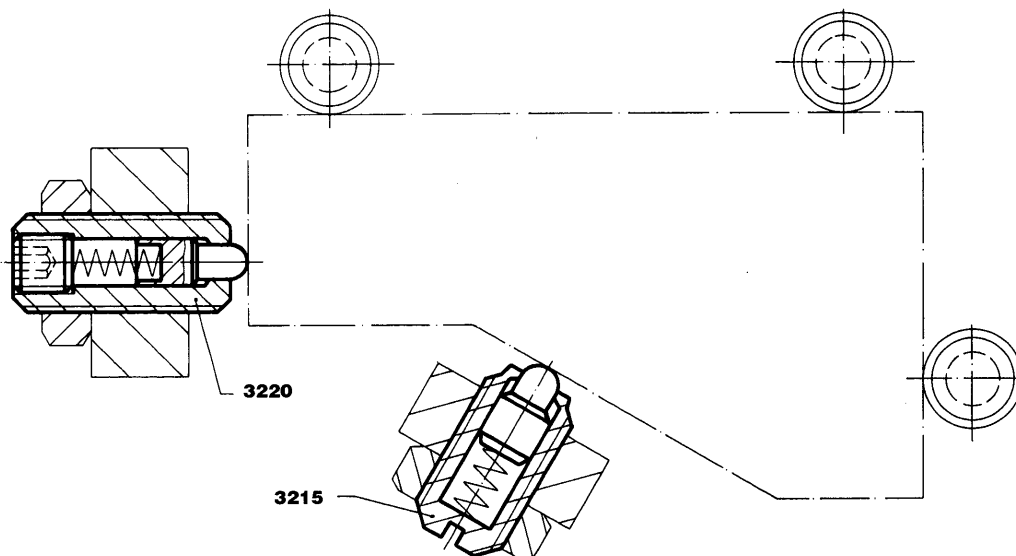
Free-cutting steel qualities blacked, thrust pin hardened. Type BS ball coated yellow, Type BNS body tip marked yellow

Note:

These spring plungers may be used for location or for applying pressure or lifting off. The stainless steel qualities are heat-resistant up to 250°C

POSITION

Order No.				d ₁	d ₂	l	s	Type B and BN Pressure		Type BS and BNS Pressure		g
Type B	BS	BN	BNS					initial N≈	final N≈	initial N≈	final N≈	
3215.W104	-	.W504	-	M 4	1,8	9	1,5	6	20	-	-	0,6
.W105	-	.W505	-	M 5	2,4	12	2,0	6	20	-	-	0,9
.W106	.W306	.W506	.W706	M 6	2,7	14		7	20	13	34	1,5
.W108	.W308	.W508	.W708	M 8	4,0	16	18	37	35	73	3,5	
.W110	.W310	.W510	.W710	M10	4,5	19	2,5	21	45	35	83	7,0
.W112	.W312	.W512	.W712	M12	6,0	22	3,5	23	65	58	110	10,0
.W116	.W316	.W516	.W716	M16	8,5	24	4,5	44	95	58	155	24,0
.W120	.W320	.W520	.W720	M20	10,0	30	6,5	49	130	78	200	43,0
.W124	.W324	.W524	.W724	M24	12,0	34	8,0	70	158	98	240	70,0



X-ON Electronics

Largest Supplier of Electrical and Electronic Components

Click to view similar products for [wixroyd](#) manufacturer:

Other Similar products are found below :

[3215.W105](#)