

HF SIDE-MOUNT FILTER FANS



INDUSTRY STANDARDS

UL/cUL Listed; File No. E482010

CE

EAC

Type 12, IP54 standard (on all models except HF13)

Type 12, IP 55 optional (on all models except HF04)

APPLICATION

- Industrial automation
- Automotive assembly
- Package handling equipment
- Food and beverage process controls
- Wind energy systems

FEATURES

- Click-fit design quickly installs into enclosure wall; no tools or screws required
- Opens with the flick of a finger for easy filter replacement
- Enclosure side wall mounting
- Reverse airflow option on HF13 models available to push/pull air through higher static pressure
- Standard rope gasket provides proper seal to the enclosure
- Similar cut-out sizes as other filter fan manufacturers
- Terminal block connections
- Optional thermostat available to save energy and extend service life
- Hinged grille remains attached after opening

SPECIFICATIONS

- Size range from 4 in. (102 mm) to 13 in. (325 mm)
- Free air flow from 21 CFM (36 m³/hr.) to 484 CFM (822 m³/hr.)
- Service life hours from 40,000 to 100,000 hours
- Operating temperature range from -4 F/-20 C to 149 F/65 C

FINISH

- RAL 7035 light-gray, UV-resistant plastic standard
- RAL 9011 black, UV-resistant plastic

ACCESSORIES

- Replacement filters
- Thermostat
- Rain shroud

NOTES

Visit www.PentairProtect.com to download 2D and 3D CAD drawings into the overall design of your electrical system.

Performance Data **HF04 21 CFM (36 m³/hr.) Side-Mount Filter Fans**

ELECTRICAL DATA			
Rated Voltage	115	230	24
Frequency (Hz)	50/60	50/60	—
Nominal Current Maximum (Amps)	.10	.07	.14
Power Consumption Maximum (Watts)	8.5/7.0	9.5/8.0	3.4
Power Connection	Terminal Block		
TYPE 12 / IP54 FILTER FANS			
RAL 7035 Light Gray:			
Catalog Number	HF0416414	HF0426414	HF0424414
RAL 9011 Black:			
Catalog Number	HF0416413	HF0426413	HF0424413
Free Airflow (CFM / m ³ /hr.)	21/36	21/36	21/36
Airflow with 1 Exhaust Grille (CFM / m ³ /hr.)	12/20	12/20	12/20
Airflow with 2 Exhaust Grilles (CFM / m ³ /hr.)	15/25	15/25	15/25
FILTER FAN UNIT CONSTRUCTION			
Fan RPM	3250	3250	2100
Sound Pressure (dBA at 50/60 Hz)	34/36	34/36	34/36
Operating Temperature Range:			
Maximum (°F / °C)	131/55	131/55	149/65
Minimum (°F / °C)	14/-10	14/-10	-4/-20
Service Life (hours)	61,000	61,000	51,000
Unit Dimensions - H x W x D (in. / mm)	4.42 x 4.44 x 3.65 / 112 x 113 x 93		
Cutout Dimensions - H x W (in. / mm)	3.62 x 3.62/92 x 92		
Weight (lb. / kg)	.91/.40		
TYPE 12 / IP54 EXHAUST GRILLES			
RAL 7035 Light Gray:			
Catalog Number	HG0400404	HG0400404	HG0400404
RAL 9011 Black:			
Catalog Number	HG0400403	HG0400403	HG0400403
ACCESSORIES			
Replacement Filters:			
Type 12 / IP54 Catalog Number	89134423R	89134423R	89134423R
Thermostat Catalog Number	TWR60	TWR60	TWR60

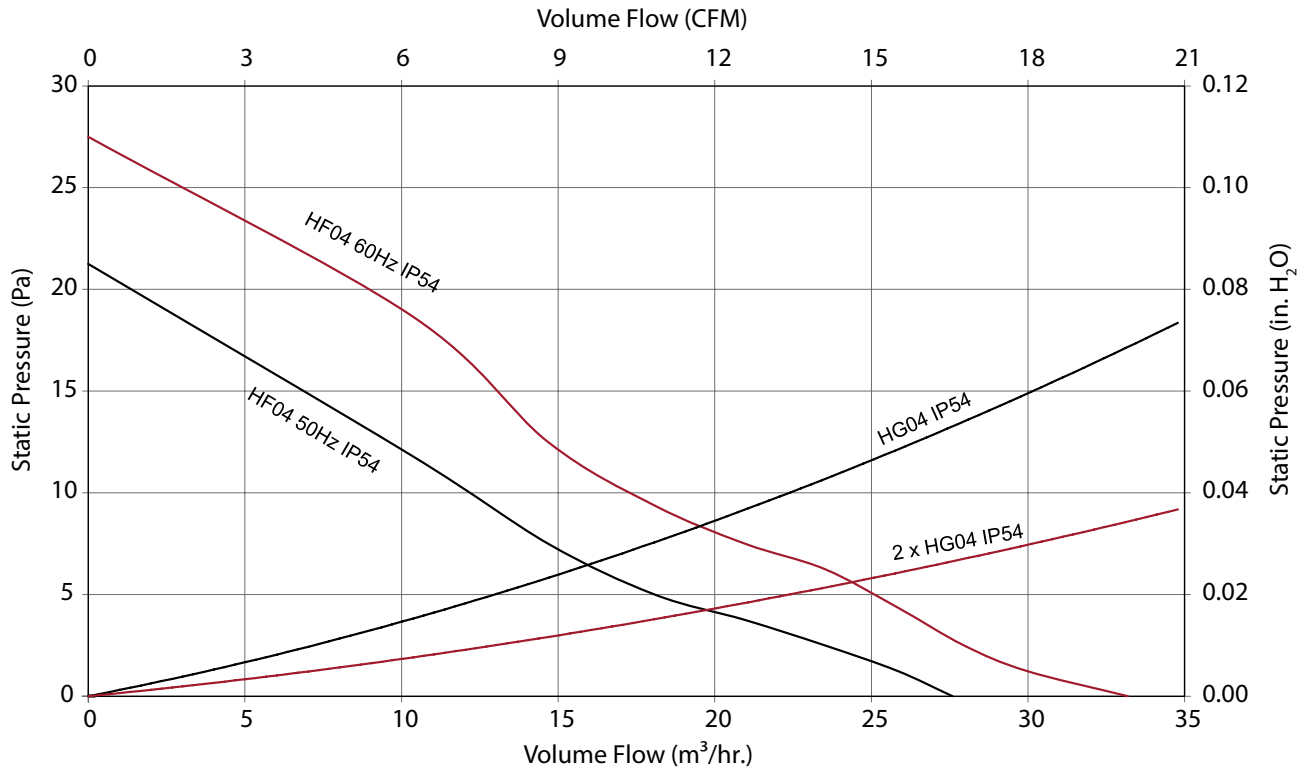
Above airflow rates at 60 Hz; see performance curves for airflow at 50 Hz and more details.

Unit depth is from the back edge of the grille to the back of the fan.

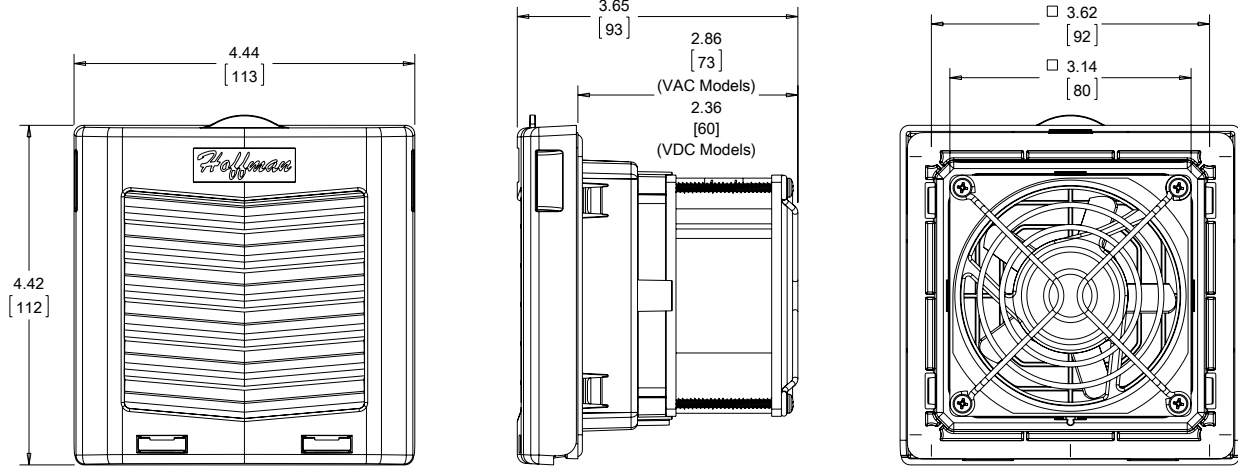
Exhaust Grilles sold separately.

Performance Curves for HF04 Models 21 CFM (36 m³/hr.) Side-Mount Filter Fans

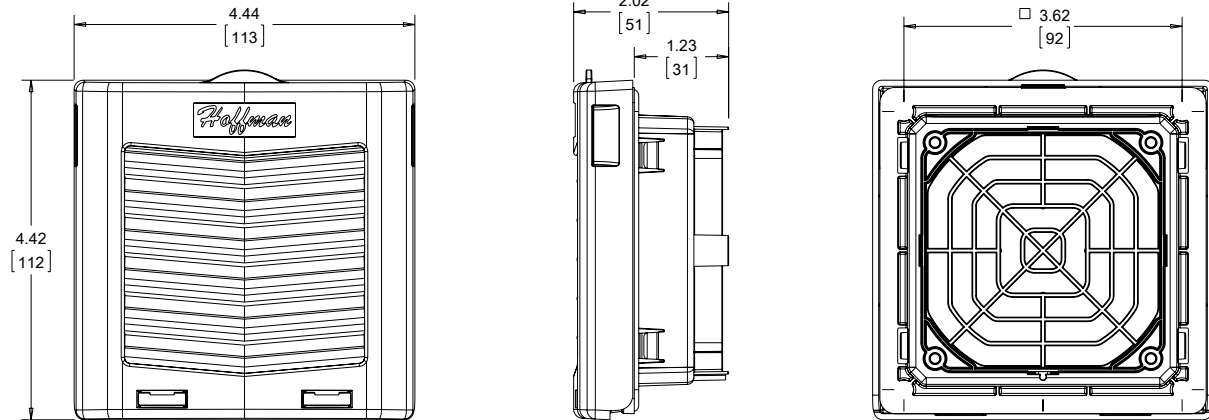
HF04 Capacity Curve, IP54



HF04 21 CFM (36 m³/hr.) Side-Mount Filter Fans

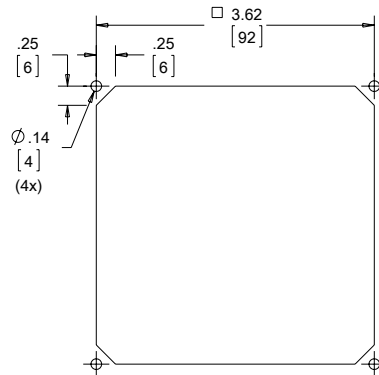


Exhaust Grille



Order exhaust grille kits separately.

89140582



Cutout Dimensions

Visit www.PentairProtect.com to download 2D and 3D CAD drawings into the overall design of your electrical system.

Performance Data **HF05 35 CFM (59 m³/hr.) Side-Mount Filter Fans**

ELECTRICAL DATA			
Rated Voltage	115	230	24
Frequency (Hz)	50/60	50/60	—
Nominal Current Maximum (Amps)	.16/.14	.12/.10	.35
Power Consumption Maximum (Watts)	11.0/10.0	15.0/14.0	8.4
Power Connection	Terminal Block		
TYPE 12 / IP54 FILTER FANS			
RAL 7035 Light Gray:			
Catalog Number	HF0516414	HF0526414	HF0524414
RAL 9011 Black:			
Catalog Number	HF0516413	HF0526413	HF0524413
Free Airflow (CFM / m ³ /hr.)	35/59	35/59	35/59
Airflow with 1 Exhaust Grille (CFM / m ³ /hr.)	23/39	23/39	23/39
Airflow with 2 Exhaust Grilles (CFM / m ³ /hr.)	28/48	28/48	28/48
TYPE 12 / IP55 FILTER FANS			
RAL 7035 Light Gray:			
Catalog Number	HF0516514	HF0526514	HF0524514
RAL 9011 Black:			
Catalog Number	HF0516513	HF0526513	HF0524513
Free Airflow (CFM / m ³ /hr.)	12/20	12/20	12/20
Airflow with 1 Exhaust Grille (CFM / m ³ /hr.)	8/14	8/14	8/14
Airflow with 2 Exhaust Grilles (CFM / m ³ /hr.)	9/15	9/15	9/15
FILTER FAN UNIT CONSTRUCTION			
Fan RPM	2600/2900	2600/2900	3200
Sound Pressure (dBA at 50/60 Hz)	40/44	40/44	40/44
Operating Temperature Range:			
Maximum (°F / °C)	131/55	131/55	149/65
Minimum (°F / °C)	14/-10	14/-10	-4/-20
Service Life (hours)	40,000	40,000	100,000
Unit Dimensions - H x W x D (in. / mm)	6.15 x 6.16 x 3.98/156 x 157 x 101		
Cutout Dimensions - H x W (in. / mm)	4.92 x 4.92/125 x 125		
Weight (lb. / kg)	1.77/.80		
TYPE 12 / IP54 EXHAUST GRILLES			
RAL 7035 Light Gray:			
Catalog Number	HG0500404	HG0500404	HG0500404
RAL 9011 Black:			
Catalog Number	HG0500403	HG0500403	HG0500403
TYPE 12 / IP55 EXHAUST GRILLES			
RAL 7035 Light Gray:			
Catalog Number	HG0500504	HG0500504	HG0500504
RAL 9011 Black:			
Catalog Number	HG0500503	HG0500503	HG0500503
ACCESSORIES			
Replacement Filters:			
Type 12 / IP54 Catalog Number	89134424R	89134424R	89134424R
Type 12 / IP55 Catalog Number	89136408R	89136408R	89136408R
Thermostat Catalog Number	TWR60	TWR60	TWR60
Shroud Catalog Number	HH05GS35001, HH05GS61001, HH05SS04001		

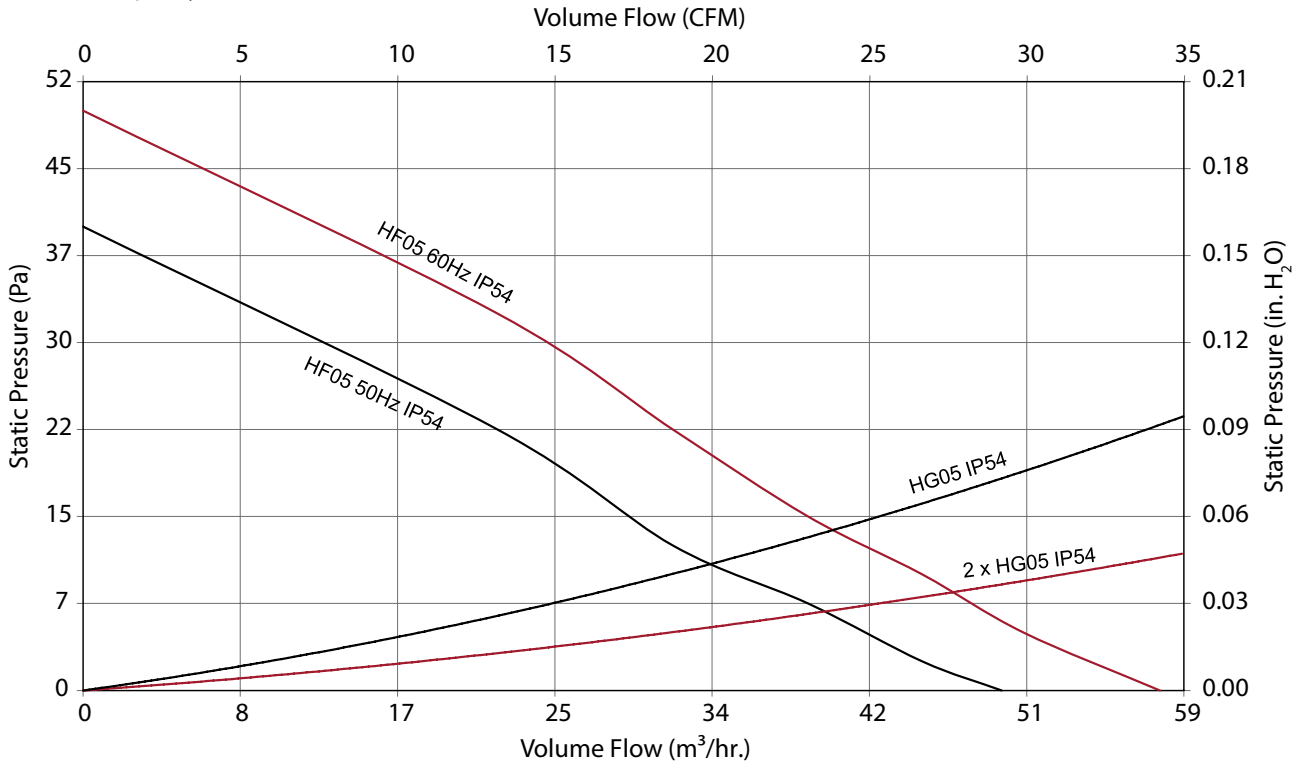
Above airflow rates at 60 Hz; see performance curves for airflow at 50 Hz and more details.

Unit depth is from the back edge of the grille to the back of the fan.

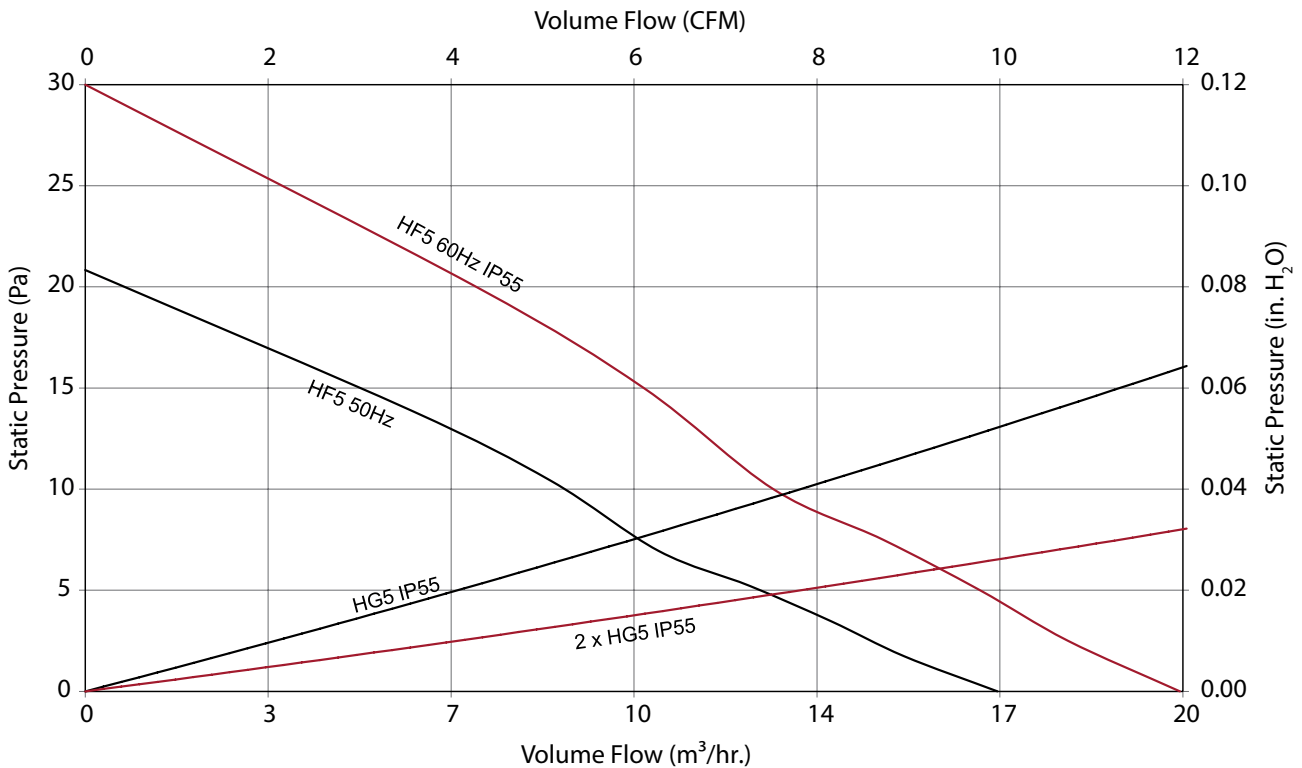
Exhaust Grilles sold separately.

Performance Curves for HF05 Models 35 CFM (59 m³/hr.) Side-Mount Filter Fans

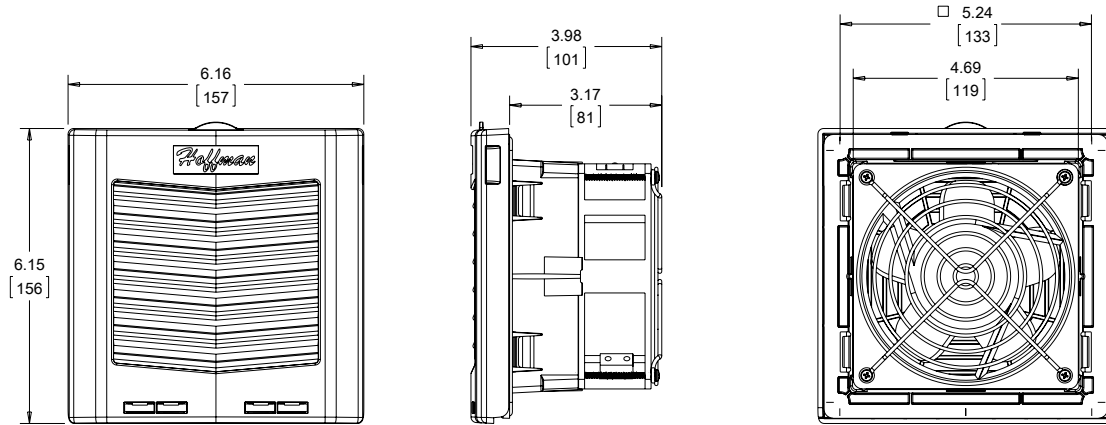
HF05 Capacity Curve, IP54



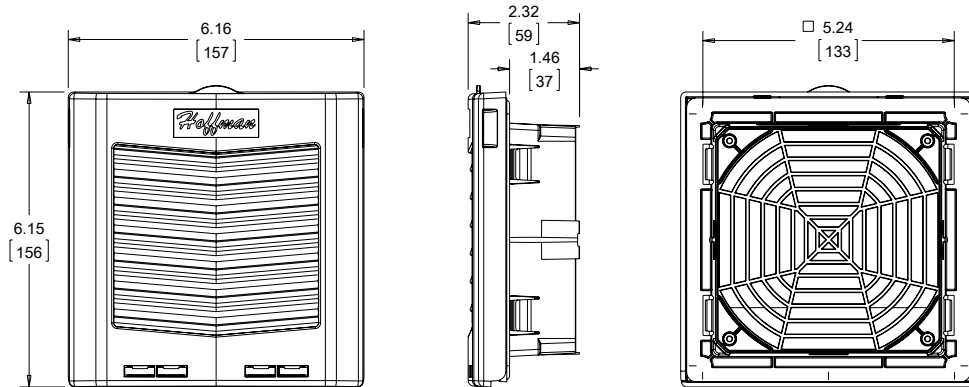
HF05 Capacity Curve, IP55



HF05 35 CFM (59 m³/hr.) Side-Mount Filter Fans

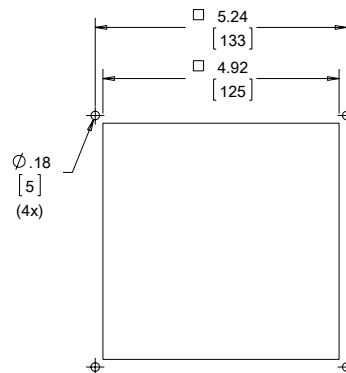


Exhaust Grille



Order exhaust grille kits separately.

89140583



Cutout Dimensions

Visit www.PentairProtect.com to download 2D and 3D CAD drawings into the overall design of your electrical system.

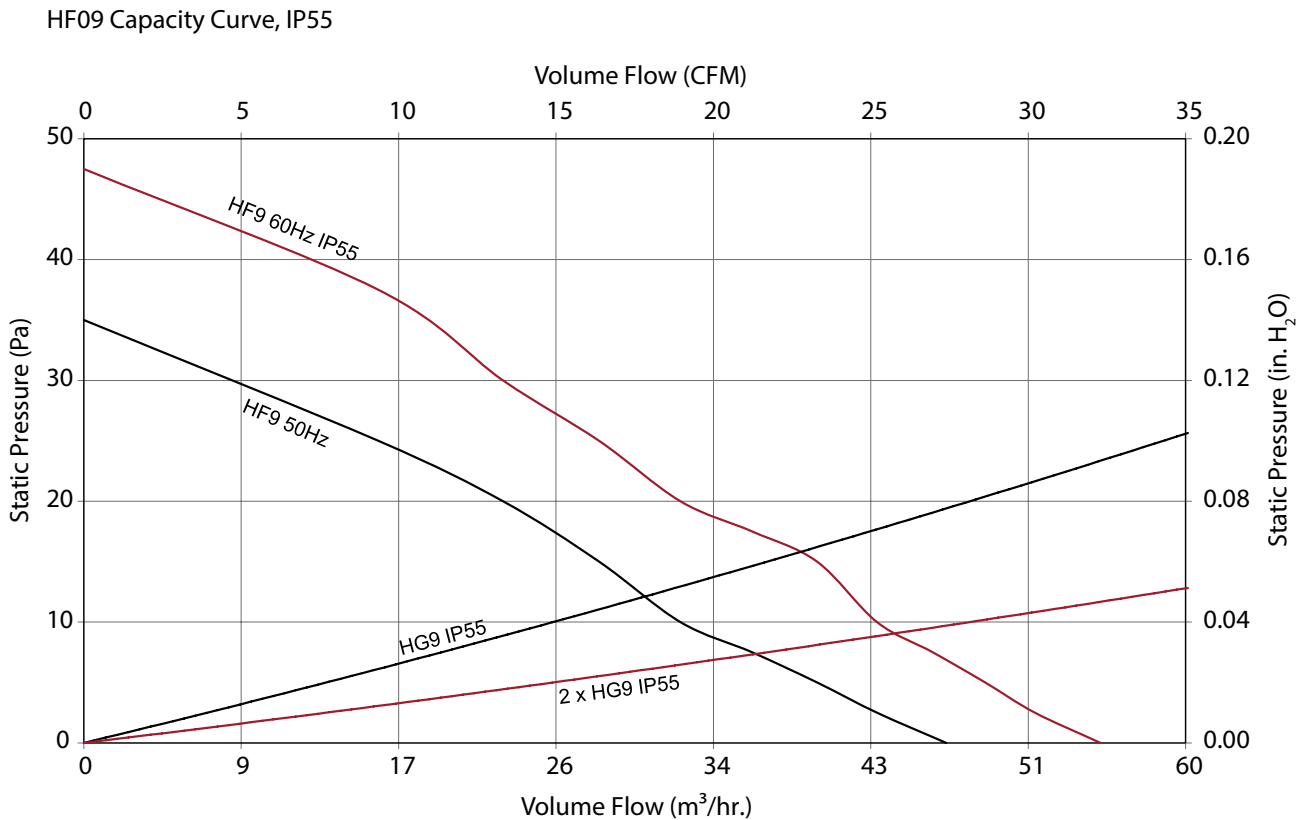
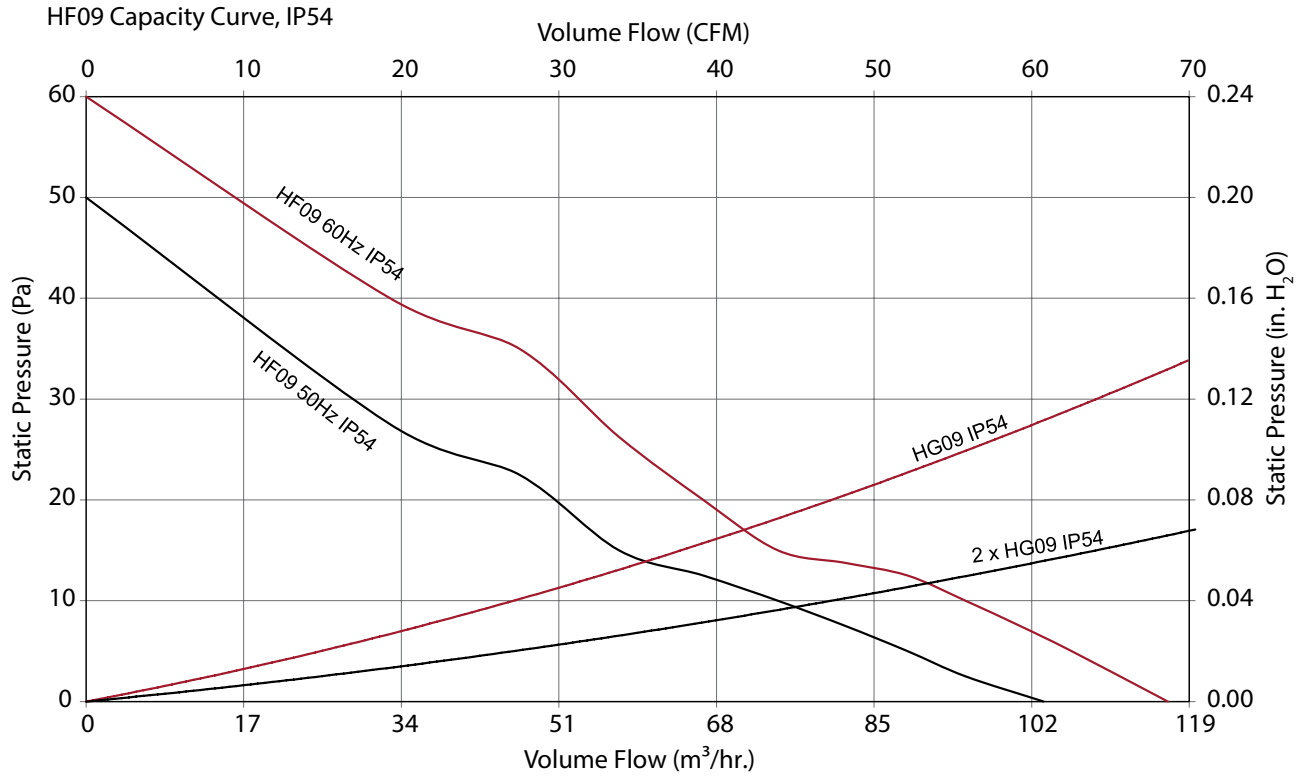
Performance Data **HF09 70 CFM (119 m³/hr.) Side-Mount Filter Fans**

ELECTRICAL DATA			
Rated Voltage	115	230	24
Frequency (Hz)	50/60	50/60	—
Nominal Current Maximum (Amps)	.16/.14	.12/.10	.35
Power Consumption Maximum (Watts)	11.0/10.0	15.0/14.0	8.4
Power Connection	Terminal Block		
TYPE 12 / IP54 FILTER FANS			
RAL 7035 Light Gray:			
Catalog Number	HF0916414	HF0926414	HF0924414
RAL 9011 Black:			
Catalog Number	HF0916413	HF0926413	HF0924413
Free Airflow (CFM / m ³ /hr.)	70/119	70/119	70/119
Airflow with 1 Exhaust Grille (CFM / m ³ /hr.)	44/75	44/75	44/75
Airflow with 2 Exhaust Grilles (CFM / m ³ /hr.)	55/93	55/93	55/93
TYPE 12 / IP55 FILTER FANS			
RAL 7035 Light Gray:			
Catalog Number	HF0916514	HF0926514	HF0924514
RAL 9011 Black:			
Catalog Number	HF0916513	HF0926513	HF0924513
Free Airflow (CFM / m ³ /hr.)	33/56	33/56	33/56
Airflow with 1 Exhaust Grille (CFM / m ³ /hr.)	23/39	23/39	23/39
Airflow with 2 Exhaust Grilles (CFM / m ³ /hr.)	26/44	26/44	26/44
FILTER FAN UNIT CONSTRUCTION			
Fan RPM	2600/2900	2600/2900	3200
Sound Pressure (dBA at 50/60 Hz)	43/46	43/46	43/46
Operating Temperature Range:			
Maximum (°F / °C)	131/55	131/55	149/65
Minimum (°F / °C)	14/-10	14/-10	-4/-20
Service Life (hours)	40,000	40,000	100,000
Unit Dimensions - H x W x D (in. / mm)	8.19 x 8.21 x 4.15/208 x 209 x 105		
Cutout Dimensions - H x W (in. / mm)	6.97 x 6.97/177 x 177		
Weight (lb. / kg)	2.13/1.0		
TYPE 12 / IP54 EXHAUST GRILLES			
RAL 7035 Light Gray:			
Catalog Number	HG0900404	HG0900404	HG0900404
RAL 9011 Black:			
Catalog Number	HG0900403		
TYPE 12 / IP55 EXHAUST GRILLES			
RAL 7035 Light Gray:			
Catalog Number	HG0900504		
RAL 9011 Black:			
Catalog Number	HG0900503		
ACCESSORIES			
Replacement Filters:			
Type 12 / IP54 Catalog Number	89134425R	89134425R	89134425R
Type 12 / IP55 Catalog Number	89136409R	89136409R	89136409R
Thermostat Catalog Number	TWR60	TWR60	TWR60
Shroud Catalog Number	HH09GS35001, HH09GS61001, HH09SS04001		

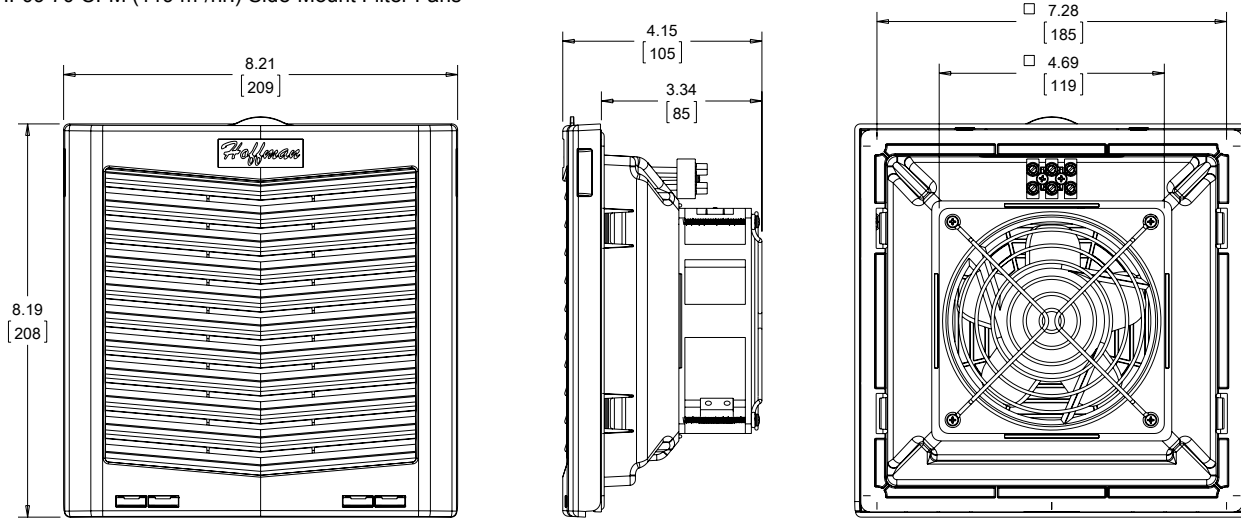
Above airflow rates at 60 Hz; see performance curves for airflow at 50 Hz and more details.

Unit depth is from the back edge of the grille to the back of the fan.

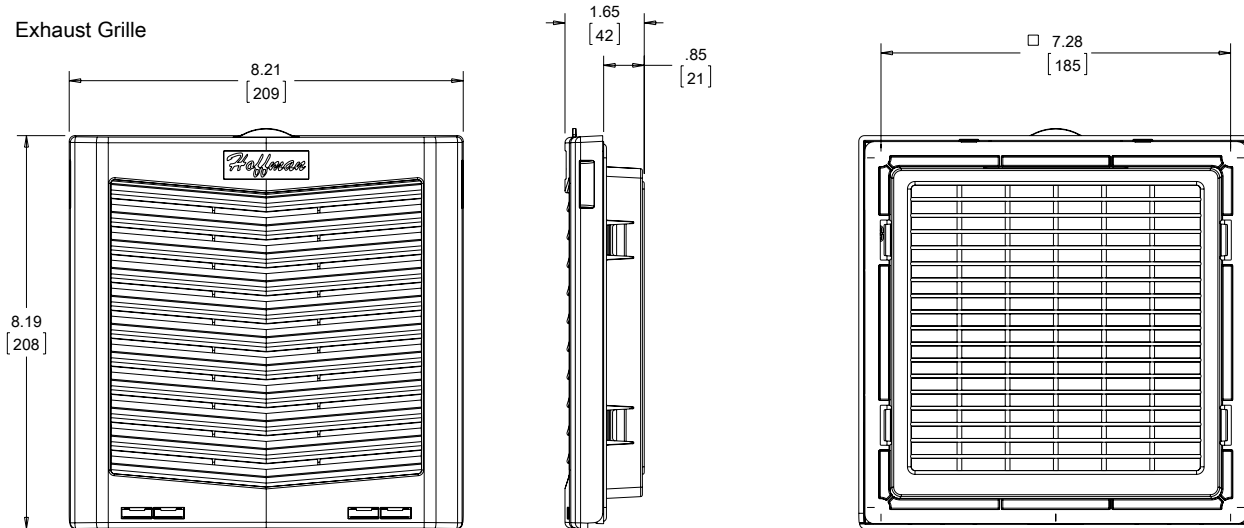
Exhaust Grilles sold separately.

Performance Curves for HF09 Models 70 CFM (119 m³/hr.) Side-Mount Filter Fans


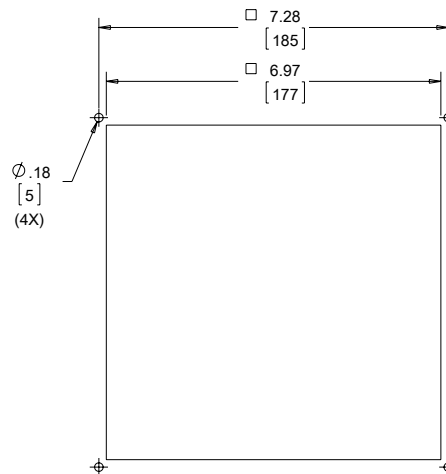
HF09 70 CFM (119 m³/hr.) Side-Mount Filter Fans



Exhaust Grille



89140584



Cutout Dimensions

Visit www.PentairProtect.com to download 2D and 3D CAD drawings into the overall design of your electrical system.

Performance Data HF10 159 CFM (270 m³/Hr.) Side-Mount Filter Fans

ELECTRICAL DATA			
Rated Voltage	115	230	24
Frequency (Hz)	50/60	50/60	—
Nominal Current Maximum (Amps)	.38/.36	.18/.19	.88
Power Consumption Maximum (Watts)	35/32	38/35	21.1
Power Connection	Terminal Block		
TYPE 12 / IP54 FILTER FANS			
RAL 7035 Light Gray:			
Catalog Number	HF1016414	HF1026414	HF1024414
RAL 9011 Black:			
Catalog Number	HF1016413	HF1026413	HF1024413
Free Airflow (CFM / m ³ /hr.)	159/270	159/270	159/270
Airflow with 1 Exhaust Grille (CFM / m ³ /hr.)	128/217	128/217	128/217
Airflow with 2 Exhaust Grilles (CFM / m ³ /hr.)	151/257	151/257	151/257
TYPE 12 / IP55 FILTER FANS			
RAL 7035 Light Gray:			
Catalog Number	HF1016514	HF1026514	HF1024514
RAL 9011 Black:			
Catalog Number	HF1016513	HF1026513	HF1024513
Free Airflow (CFM / m ³ /hr.)	103/175	103/175	103/175
Airflow with 1 Exhaust Grille (CFM / m ³ /hr.)	80/136	80/136	80/136
Airflow with 2 Exhaust Grilles (CFM / m ³ /hr.)	87/148	87/148	87/148
FILTER FAN UNIT CONSTRUCTION			
Fan RPM	2700/3200	2700/3200	3750
Sound Pressure (dBA at 50/60 Hz)	53/56	53/56	53/56
Operating Temperature Range:			
Maximum (°F / °C)	131/55	131/55	131/55
Minimum (°F / °C)	14/-10	14/-10	14/-10
Service Life (hours)	97,000	97,000	76,000
Unit Dimensions - H x W x D (in. / mm)	10.13 x 10.14 x 4.68/257 x 258 x 119		
Cutout Dimensions - H x W (in. / mm)	8.78 x 8.78/223 x 223		
Weight (lb. / kg)	3.14/1.40		
TYPE 12 / IP54 EXHAUST GRILLES			
RAL 7035 Light Gray:			
Catalog Number	HG1000404	HG1000404	HG1000404
RAL 9011 Black:			
Catalog Number	HG1000403	HG1000403	HG1000403
TYPE 12 / IP55 EXHAUST GRILLES			
RAL 7035 Light Gray:			
Catalog Number	HG1000504	HG1000504	HG1000504
RAL 9011 Black:			
Catalog Number	HG1000503	HG1000503	HG1000503
ACCESSORIES			
Replacement Filters:			
Type 12 / IP54 Catalog Number	89134426R	89134426R	89134426R
Type 12 / IP55 Catalog Number	89136410R	89136410R	89136410R
Thermostat Catalog Number	TWR60	TWR60	TWR60
Shroud Catalog Number	HH10GS35001, HH10GS61001, HH10SS04001		

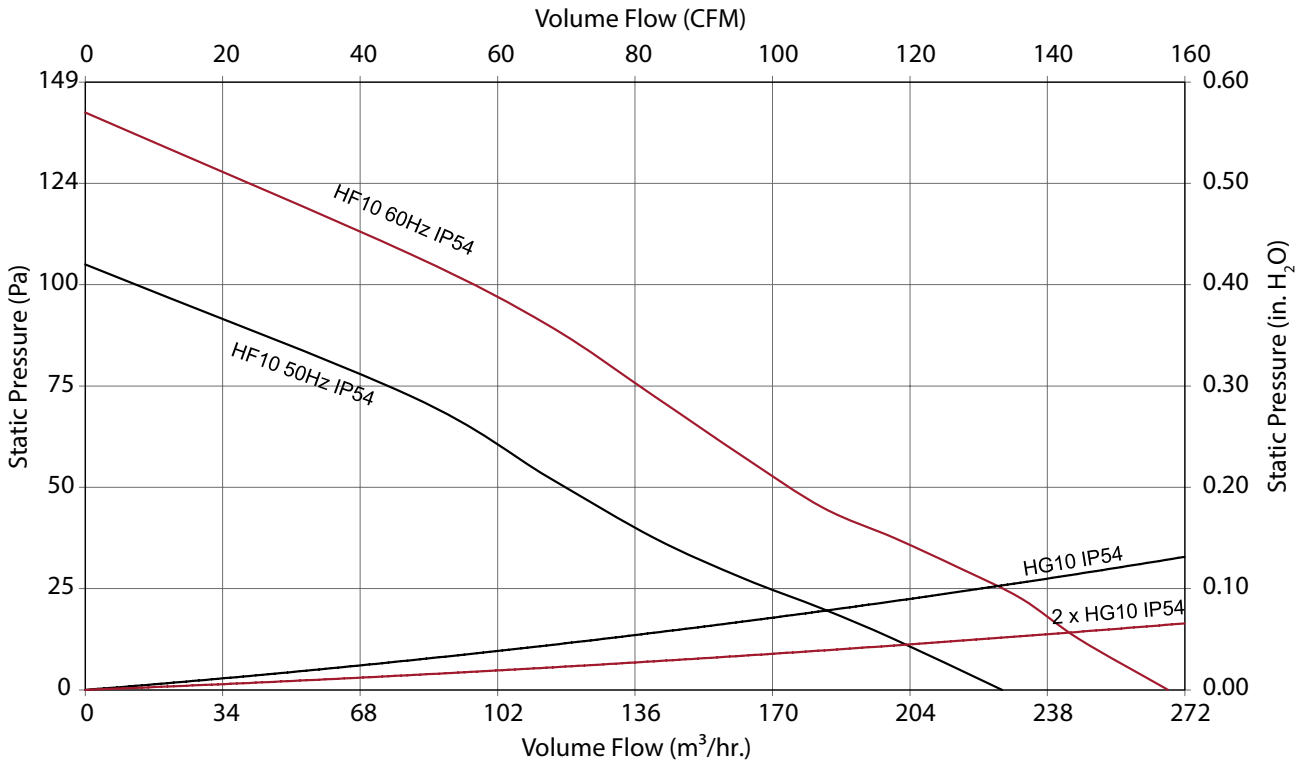
Above airflow rates at 60 Hz; see performance curves for airflow at 50 Hz and more details.

Unit depth is from the back edge of the grille to the back of the fan.

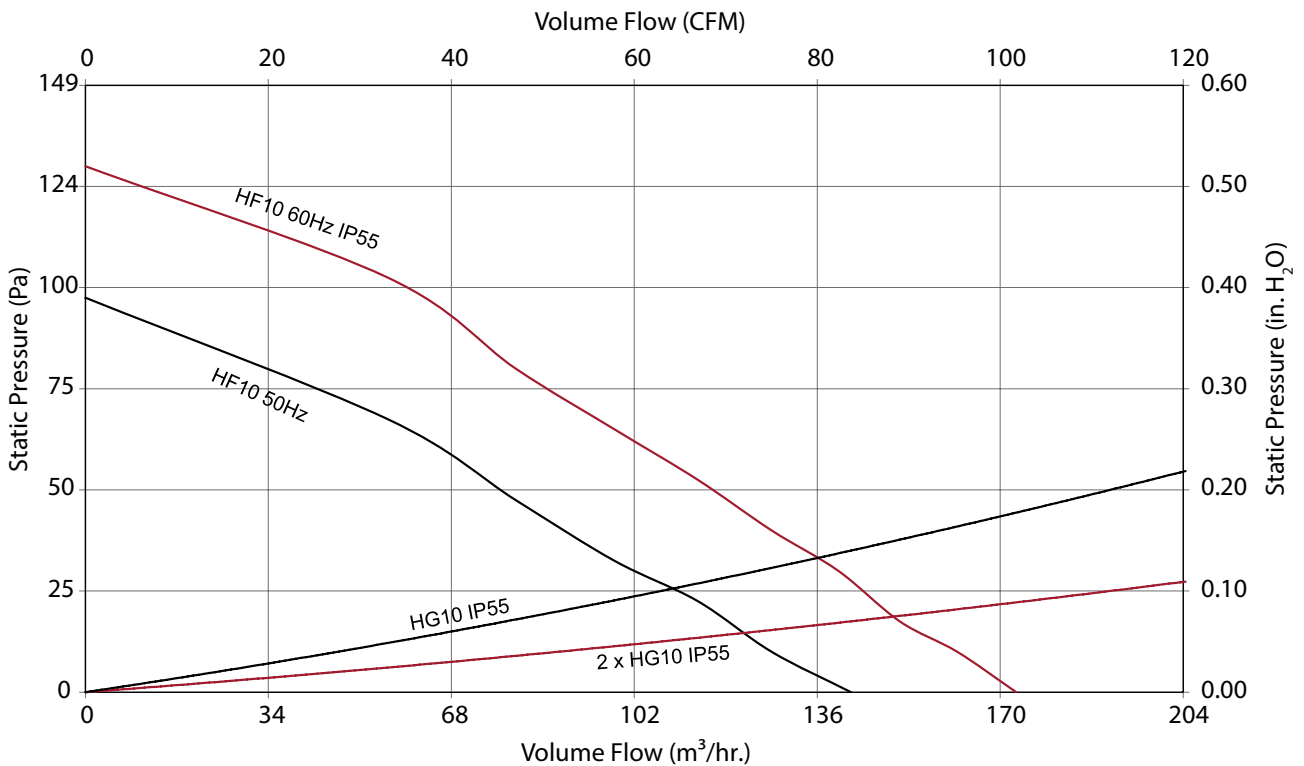
Exhaust Grilles sold separately.

Performance Curves for HF10 Models 159 CFM (270 m³/hr.) Side-Mount Filter Fans

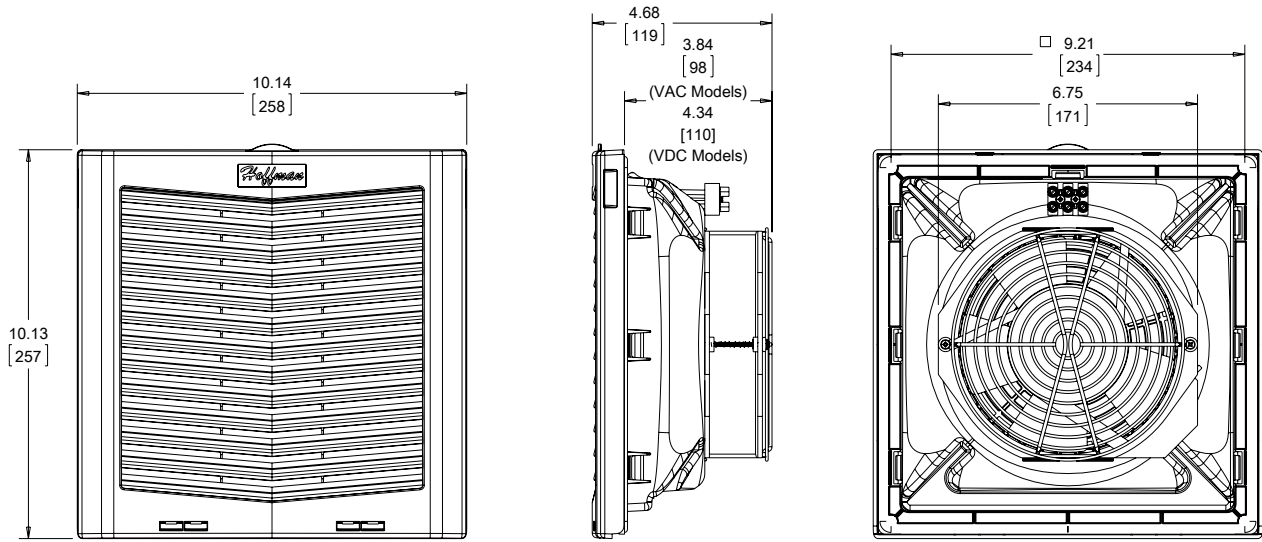
HF10 Capacity Curve, IP54



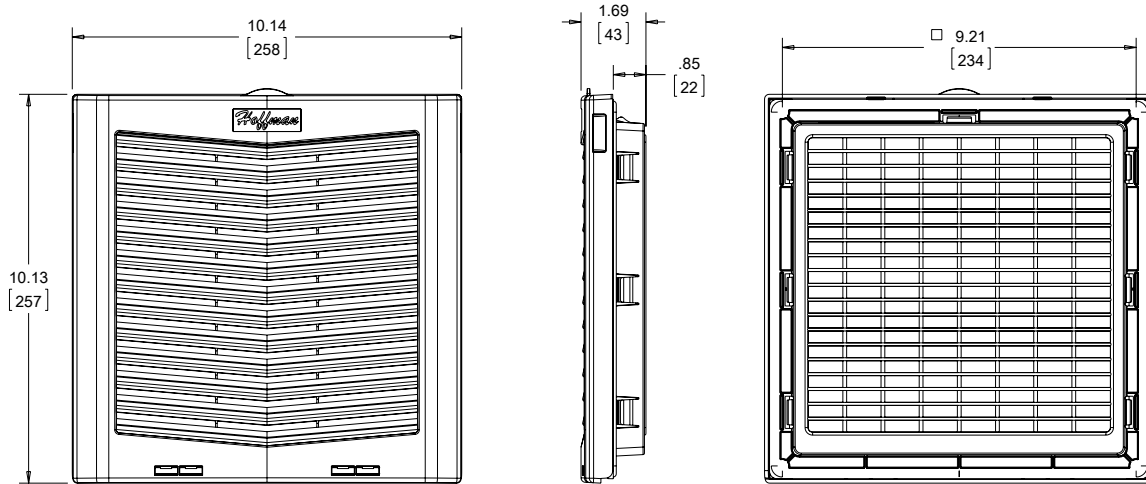
HF10 Capacity Curve, IP55



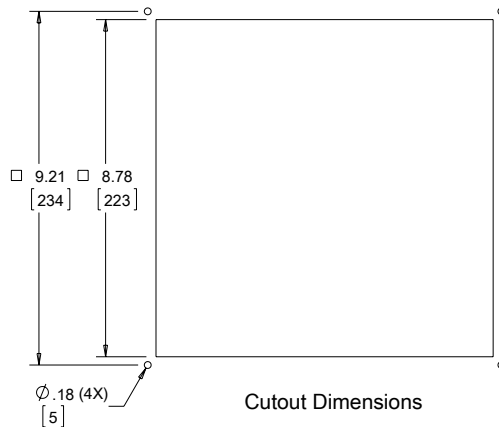
HF10 159 CFM (270 m³/Hr.) Side-Mount Filter Fans



Exhaust Grille



89140585



Visit www.PentairProtect.com to download 2D and 3D CAD drawings into the overall design of your electrical system.

Performance Data **HF13 395 CFM (671 m³/hr.) Side-Mount Filter Fans - Standard and Reverse**

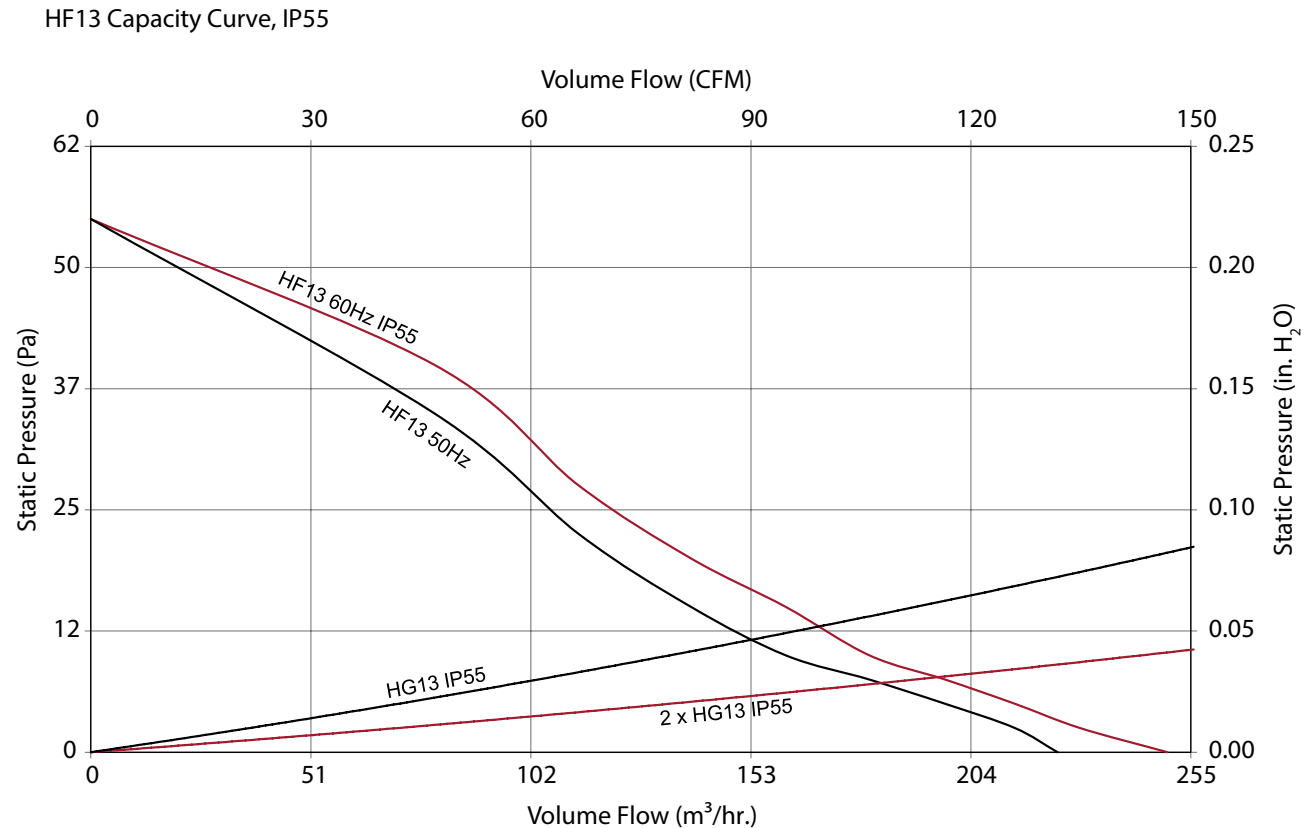
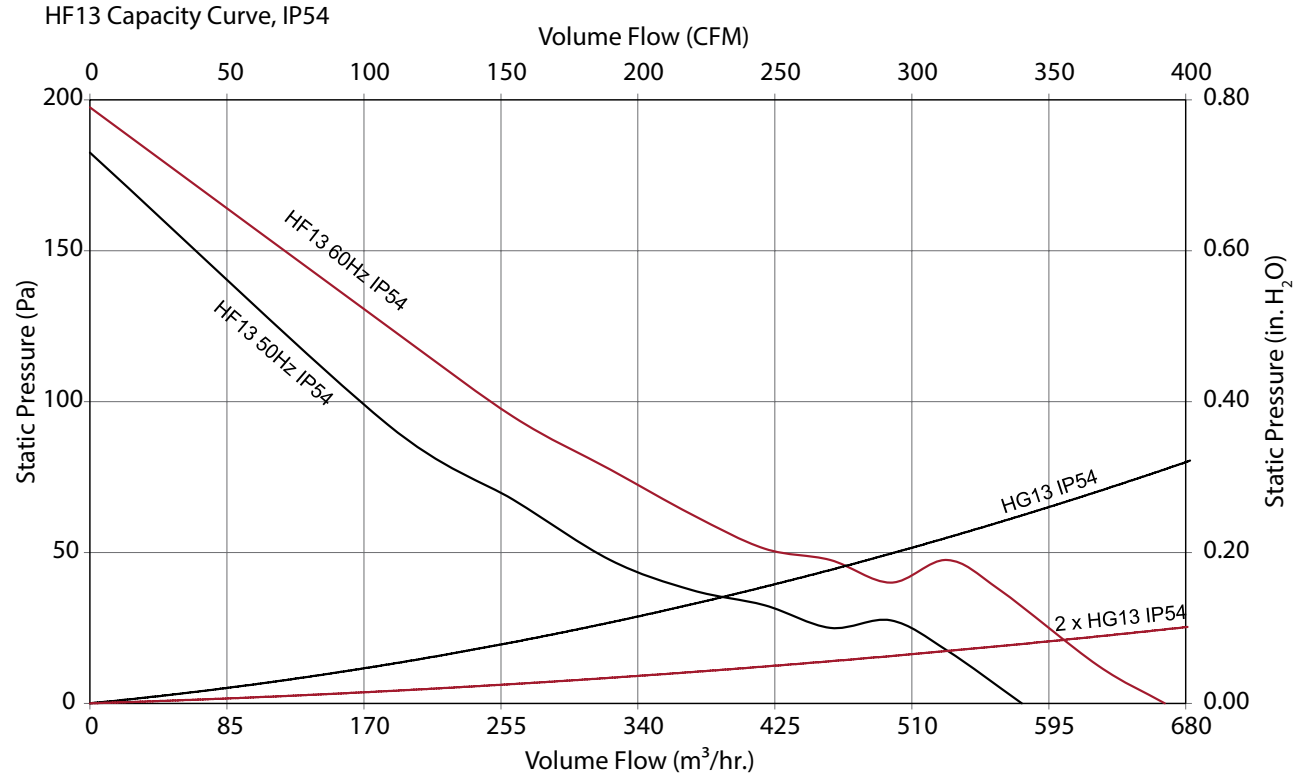
ELECTRICAL DATA					
Rated Voltage	115	230	24	115 Rvrs	230 Rvrs
Frequency (Hz)	50/60	50/60	—	50/60	50/60
Nominal Current Maximum (Amps)	.76/.88	.34/.37	2.6	.76/.88	.34/.37
Power Consumption Maximum (Watts)	65/72	74/80	55	65/72	74/80
Power Connection	Terminal Block				
TYPE 12 / IP54 FILTER FANS					
RAL 7035 Light Gray:					
Catalog Number	HF1316414	HF1326414	HF1324414	HF1316414R	HF1326414R
RAL 9011 Black:					
Catalog Number	HF1316413	HF1326413	HF1324413	HF1316413R	HF1326413R
Free Airflow (CFM / m ³ /hr.)	395/671	395/671	395/671	395/671	395/671
Airflow with 1 Exhaust Grille (CFM / m ³ /hr.)	281/477	281/477	281/477	249/423	249/423
Airflow with 2 Exhaust Grilles (CFM / m ³ /hr.)	366/621	366/621	366/621	366/621	366/621
TYPE 12 / IP55 FILTER FANS					
RAL 7035 Light Gray:					
Catalog Number	HF1316514	HF1326514	HF1324514	—	—
RAL 9011 Black:					
Catalog Number	HF1316513	HF1326513	HF1324513	—	—
Free Airflow (CFM / m ³ /hr.)	149/253	149/253	149/253	—	—
Airflow with 1 Exhaust Grille (CFM / m ³ /hr.)	100/170	100/170	100/170	—	—
Airflow with 2 Exhaust Grilles (CFM / m ³ /hr.)	113/192	113/192	113/192	—	—
FILTER FAN UNIT CONSTRUCTION					
Fan RPM	2600/3000	2600/3000	2950	2600/3000	2600/3000
Sound Pressure (dBA at 50/60 Hz)	57/59	57/59	57/59	57/59	57/59
Operating Temperature Range:					
Maximum (°F / °C)	131/55	131/55	135/55	131/55	131/55
Minimum (°F / °C)	14/-10	14/-10	14/-10	14/-10	14/-10
Service Life (hours)	59,000	59,000	57,000	59,000	59,000
Unit Dimensions - H x W x D (in. / mm)	12.8 x 12.82 x 6.30/325 x 326 x 160				
Cutout Dimensions - H x W (in. / mm)	11.5 x 11.5/292 x 292				
Weight (lb. / kg)	4.25/1.90				
TYPE 12 / IP54 EXHAUST GRILLES					
RAL 7035 Light Gray:					
Catalog Number	HG1300404	HG1300404	HG1300404	HG1300404	HG1300404
RAL 9011 Black:					
Catalog Number	HG1300403	HG1300403	HG1300403	HG1300403	HG1300403
TYPE 12 / IP55 EXHAUST GRILLES					
RAL 7035 Light Gray:					
Catalog Number	HG1300504	HG1300504	HG1300504	HG1300504	HG1300504
RAL 9011 Black:					
Catalog Number	HG1300503	HG1300503	HG1300503	HG1300503	HG1300503
ACCESSORIES					
Replacement Filters:					
Type 12 / IP54 Catalog Number	89134427R	89134427R	89134427R	89134427R	89134427R
Type 12 / IP55 Catalog Number	89136411R	89136411R	89136411R	89136411R	89136411R
Thermostat Catalog Number	TWR60	TWR60	TWR60	TWR60	TWR60
Shroud Catalog Number	HH13GS35001, HH13GS61001, HH13SS04001				

Above airflow rates at 60 Hz; see performance curves for airflow at 50 Hz and more details.

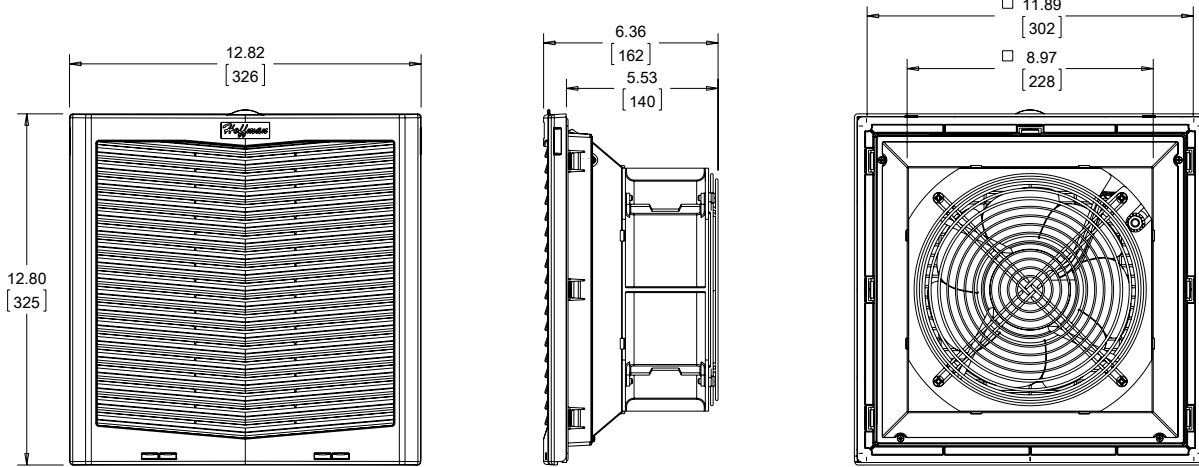
Unit depth is from the back edge of the grille to the back of the fan.

Exhaust Grilles sold separately.

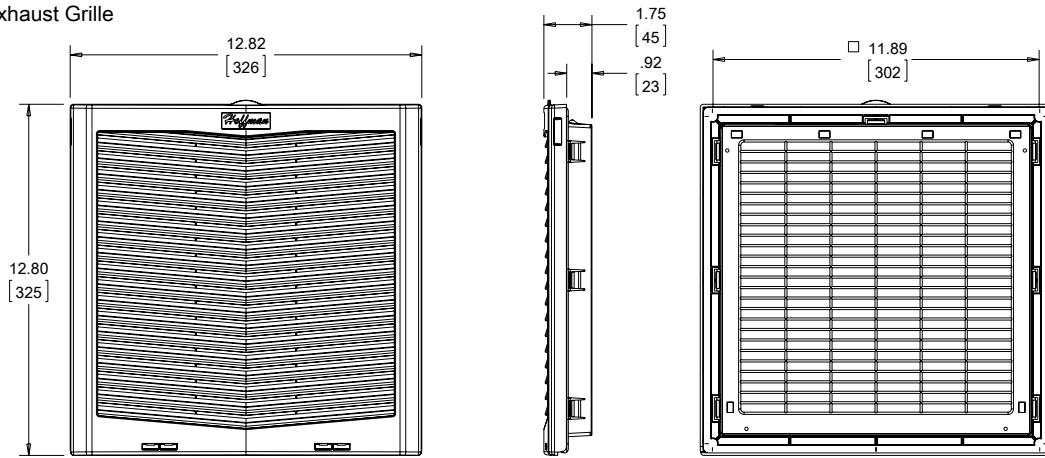
Performance Curves for HF13 Models 395 CFM (671 m³/hr.) Side-Mount Filter Fans



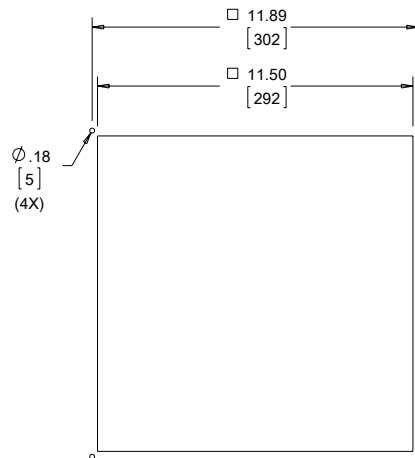
HF13 395 CFM (671 m³/hr.) Side-Mount Filter Fans - Standard and Reverse



Exhaust Grille



89140586



Cutout Dimensions

Visit www.PentairProtect.com to download 2D and 3D CAD drawings into the overall design of your electrical system.

Performance Data **HF13 484 CFM (822 m³/hr.) Side-Mount Filter Fans - Standard**

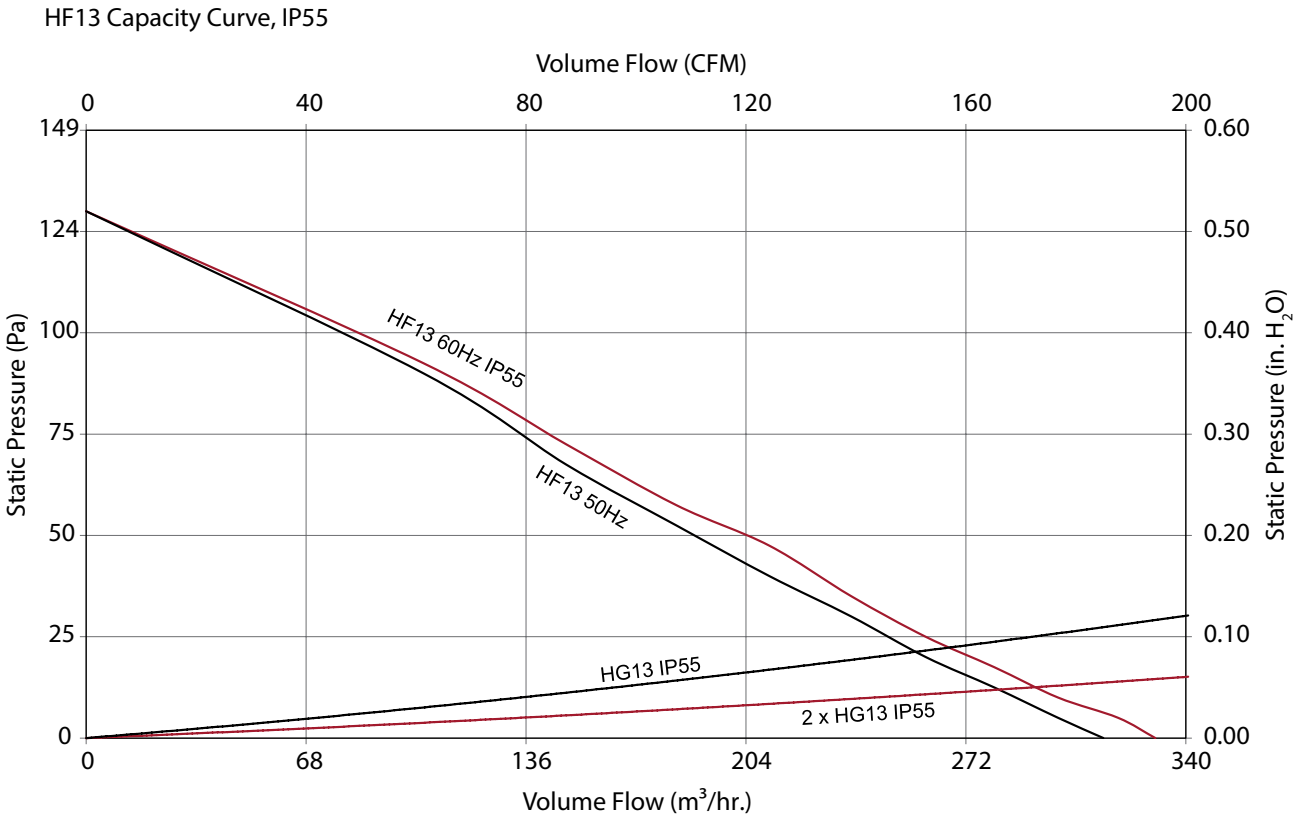
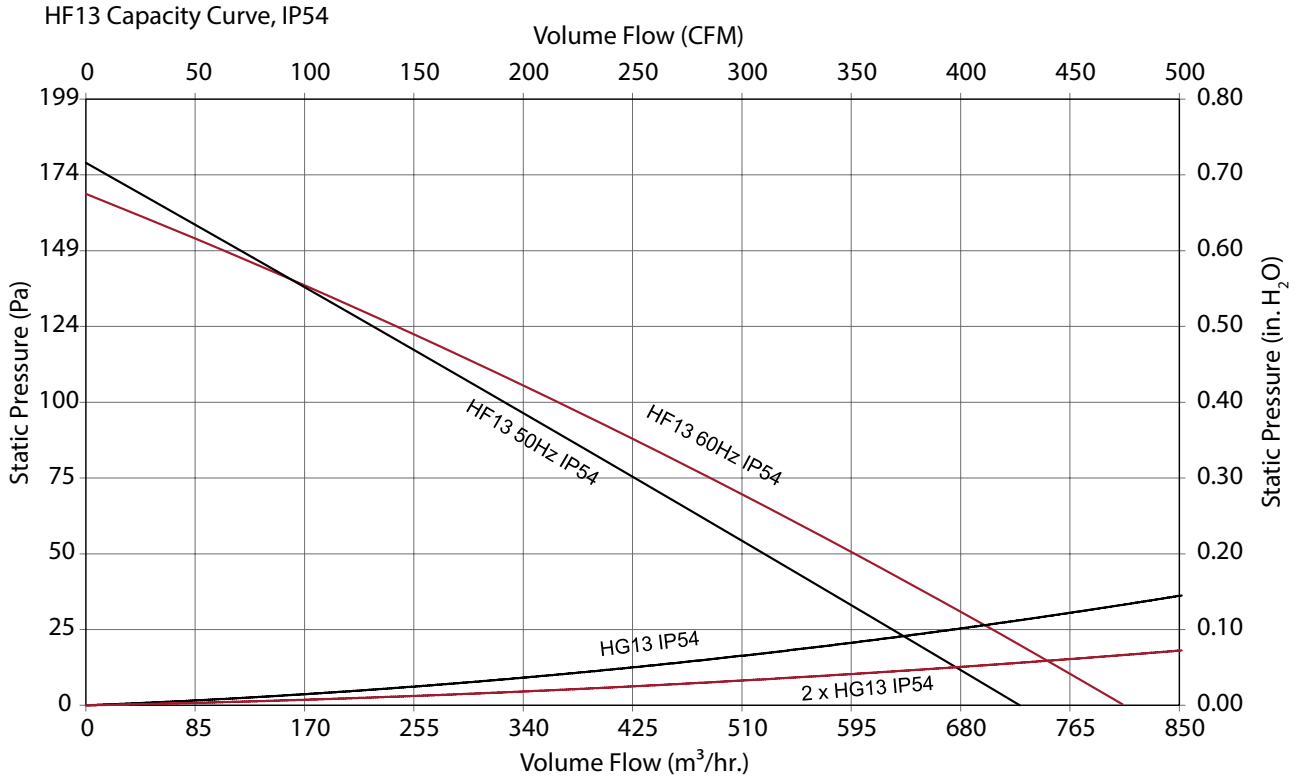
ELECTRICAL DATA			
Rated Voltage	115	230	24
Frequency (Hz)	50/60	50/60	—
Nominal Current Maximum (Amps)	1.08/1.18	.50/.60	5.0
Power Consumption Maximum (Watts)	112/148	119/158	105
Power Connection	Terminal Block		
TYPE 12 / IP54 FILTER FANS			
RAL 7035 Light Gray:			
Catalog Number	HF1316424	HF1326424	HF1324424
RAL 9011 Black:			
Catalog Number	HF1316423	HF1326423	HF1324423
Free Airflow (CFM / m ³ /hr.)	484/822	484/822	484/822
Airflow with 1 Exhaust Grille (CFM / m ³ /hr.)	417/708	417/708	417/708
Airflow with 2 Exhaust Grilles (CFM / m ³ /hr.)	442/751	442/751	442/751
TYPE 12 / IP55 FILTER FANS			
RAL 7035 Light Gray:			
Catalog Number	HF1316524	HF1326524	HF1324524
RAL 9011 Black:			
Catalog Number	HF1316523	HF1326523	HF1324523
Free Airflow (CFM / m ³ /hr.)	197/335	197/335	197/335
Airflow with 1 Exhaust Grille (CFM / m ³ /hr.)	155/263	155/263	155/263
Airflow with 2 Exhaust Grilles (CFM / m ³ /hr.)	175/297	175/297	175/297
FILTER FAN UNIT CONSTRUCTION			
Fan RPM	2550/2850	2550/2850	2750
Sound Pressure (dBA at 50/60 Hz)	67/70	67/70	70
Operating Temperature Range:			
Maximum (°F / °C)	131 / 55	131 / 55	131 / 55
Minimum (°F / °C)	14 / -10	14 / -10	14 / -10
Service Life (hours)	59,000	59,000	57,000
Unit Dimensions - H x W x D (in. / mm)	12.8 x 12.82 x 6.30/325 x 326 x 160		
Cutout Dimensions - H x W (in. / mm)	11.50 x 11.50/292 x 292		
Weight (lb. / kg)	4.32/1.96		
TYPE 12 / IP54 EXHAUST GRILLES			
RAL 7035 Light Gray:			
Catalog Number	HG1300404	HG1300404	HG1300404
RAL 9011 Black:			
Catalog Number	HG1300403	HG1300403	HG1300403
TYPE 12 / IP55 EXHAUST GRILLES			
RAL 7035 Light Gray:			
Catalog Number	HG1300504	HG1300504	HG1300504
RAL 9011 Black:			
Catalog Number	HG1300503	HG1300503	HG1300503
ACCESSORIES			
Replacement Filters:			
Type 12 / IP54 Catalog Number	89134427R	89134427R	89134427R
Type 12 / IP55 Catalog Number	89136411R	89136411R	89136411R
Thermostat Catalog Number	TWR60	TWR60	TWR60
Shroud Catalog Number	HH13GS35001, HH13GS61001, HH13SS04001		

Above airflow rates at 60 Hz; see performance curves for airflow at 50 Hz and more details.

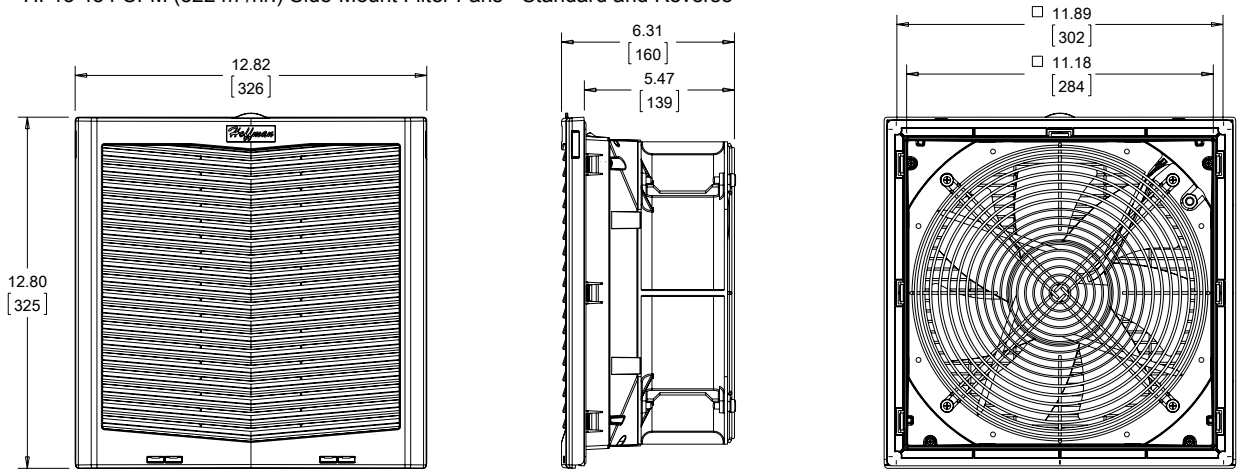
Unit depth is from the back edge of the grille to the back of the fan.

Exhaust Grilles sold separately.

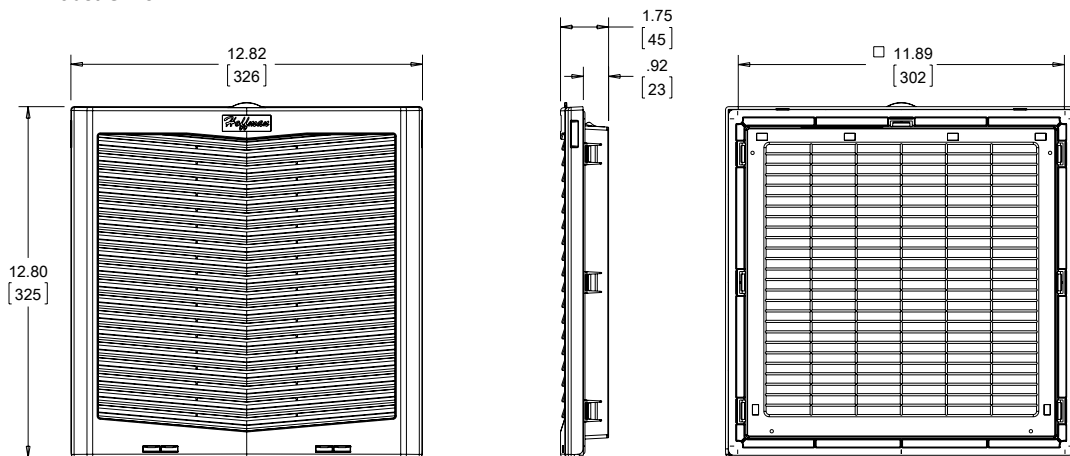
Performance Curves for HF13 Models 484 CFM (822 m³/hr.) Side-Mount Filter Fans



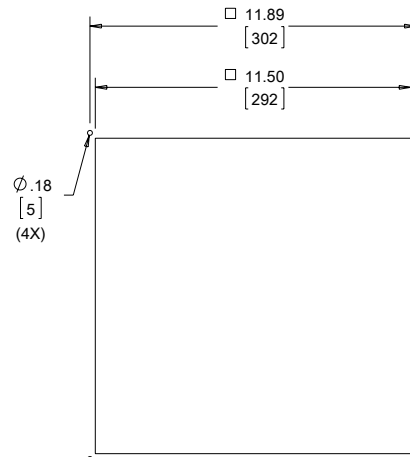
HF13 484 CFM (822 m³/hr.) Side-Mount Filter Fans - Standard and Reverse



Exhaust Grille



89140587



Cutout Dimensions

Visit www.PentairProtect.com to download 2D and 3D CAD drawings into the overall design of your electrical system.

Performance Data **HF13 484 CFM (822 m³/hr.) Side-Mount Filter Fans - Reverse**

ELECTRICAL DATA		
Rated Voltage	115 Rvrs	230 Rvrs
Frequency (Hz)	50/60	50/60
Nominal Current Maximum (Amps)	1.05/1.5	.51/.70
Power Consumption Maximum (Watts)	112/148	119/158
Power Connection	Terminal Block	
TYPE 12 / IP54 FILTER FANS		
RAL 7035 Light Gray:		
Catalog Number	HF1316424R	HF1326424R
RAL 9011 Black:		
Catalog Number	HF1316423R	HF1326423R
Free Airflow (CFM / m ³ /hr.)	484/822	484/822
Airflow with 1 Exhaust Grille (CFM / m ³ /hr.)	417/708	417/708
Airflow with 2 Exhaust Grilles (CFM / m ³ /hr.)	442/751	442/751
FILTER FAN UNIT CONSTRUCTION		
Fan RPM	2550/2850	2550/2850
Sound Pressure (dBA at 50/60 Hz)	67/70	67/70
Operating Temperature Range:		
Maximum (°F / °C)	131/55	131/55
Minimum (°F / °C)	14/-10	14/-10
Service Life (hours)	59,000	59,000
Unit Dimensions - H x W x D (in. / mm)	12.8 x 12.82 x 6.30/325 x 326 x 160	
Cutout Dimensions - H x W (in. / mm)	11.50 x 11.50/292 x 292)	
Weight (lb. / kg)	4.32/1.96	
TYPE 12 / IP54 EXHAUST GRILLES		
RAL 7035 Light Gray:		
Catalog Number	HG1300404	HG1300404
RAL 9011 Black:		
Catalog Number	HG1300403	HG1300403
TYPE 12 / IP55 EXHAUST GRILLES		
RAL 7035 Light Gray:		
Catalog Number	HG1300504	HG1300504
RAL 9011 Black:		
Catalog Number	HG1300503	HG1300503
ACCESSORIES		
Replacement Filters:		
Type 12/IP54 Catalog Number	89134427R	89134427R
Type 12 / IP55 Catalog Number	89136411R	89136411R
Thermostat Catalog Number	TWR60	TWR60
Shroud Catalog Number	HH13GS35001, HH13GS61001, HH13SS04001	

Above airflow rates at 60 Hz; see performance curves for airflow at 50 Hz and more details.

Unit depth is from the back edge of the grille to the back of the fan.

Exhaust Grilles sold separately.

X-ON Electronics

Largest Supplier of Electrical and Electronic Components

Click to view similar products for [hoffman manufacturer](#):

Other Similar products are found below :

[F-44LE45B](#) [A-1412CHQR](#) [CSD201610](#) [CSD20168SS](#) [CSD20206](#) [CSD20208SS](#) [CSD24168](#) [CSD36248](#) [PCU7](#) [PDS76R](#) [PRA197TP](#) [PT126](#)
[A1008CHNFSS](#) [A10106CH](#) [A10106CHFL](#) [A10106PHCW](#) [A1066JFGQRR](#) [A1210CHNF](#) [A1212SC](#) [A1412CHNFSS](#) [A161208LP](#)
[A161410CH](#) [A16H12ALP](#) [A16P14](#) [A16P16G](#) [A18P16AL](#) [A20H16BLP](#) [A20P16](#) [A24H2408SSLP](#) [Q13138PCE](#) [A404CH](#) [A606CHNF](#)
[A606NF](#) [A806SC](#) [A845JFGR](#) [A864CHQRFGW](#) [A90P36F1](#) [HJ1412HWPL2LG](#) [HJ1816HWPL2LG](#) [RHJ1210HWPL2LG](#) [AS125SS](#)
[ASE10X10X4](#) [ASE12X12X4](#) [E1PBG](#) [E2PBG](#) [E3PB](#) [LED24V15](#) [LF230VD](#) [A10106PHC](#) [A10P8SS](#)