

- a - PLATING:
- "LF" MEANS THE PRODUCT IS LEAD-FREE, 2µm MINIMUM MATTE TIN OVER 1.27µm MINIMUM NICKEL UNDERPLATE.
- b - MANUFACTURING PROCESS COMPATIBILITY
- THE HOUSING WILL WITHSTAND EXPOSURE TO 245°C ±5°C SOLDER BATH TEMPERATURE FOR 5 SECONDS IN A WAVE SOLDER APPLICATION WITH A 1.6mm MIN THICK CIRCUIT BOARD.
- c - LABELING:
- MEETS PACKAGING SPECS AS PER GS-14-920
- d - LEGAL STATEMENT: SEE GS-47-0004

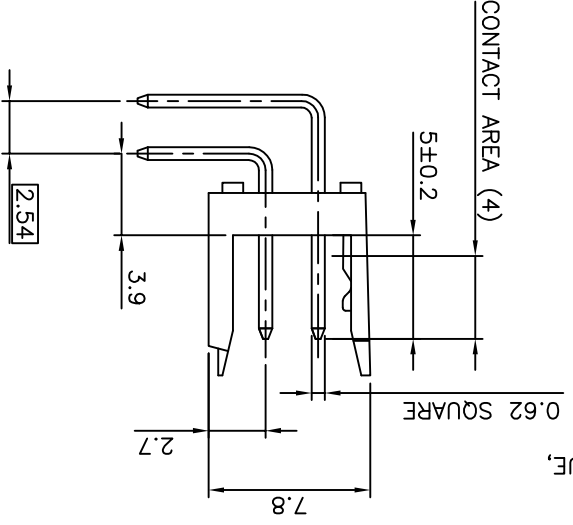
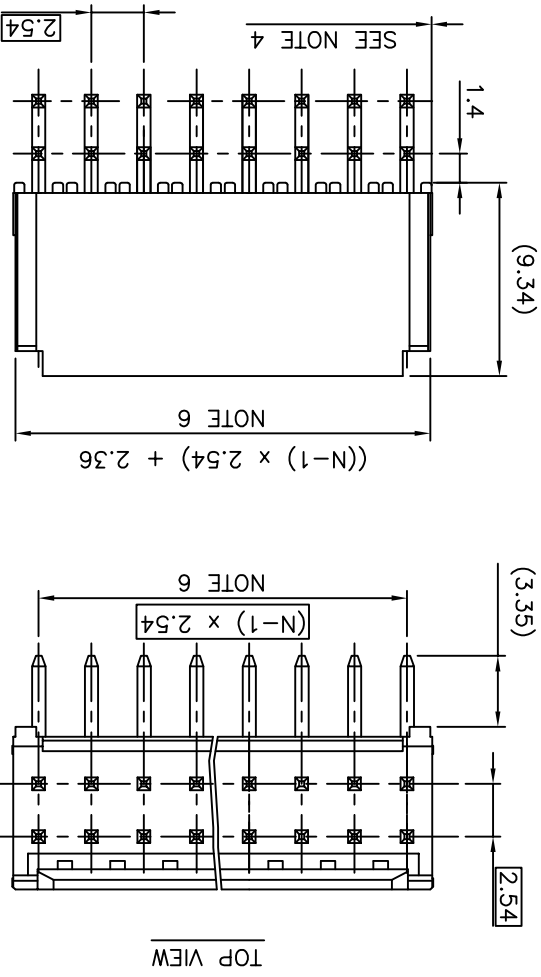
- 7. ROHS COMPATIBLE PRODUCT SPECIFICATIONS
- 6. TO DETERMINE DIMENSIONS:
- N = NUMBER OF POSITIONS PER ROW
- EXAMPLE : 8 POS N x 2.54 = 20.32mm
- 5. PACKAGING:
- POLYBAGS FROM 2 x 02 TO 2 x 06 POSITIONS
- TUBE FROM 2 x 07 TO 2 x 36 POSITIONS
- 4. 0.6 MAX PROTRUSION PERMITTED AT 4 PLACES
- 3. 15N MIN PIN RETENTION IN EITHER DIRECTION
- 2. CONTACT MATERIAL: PHOSPHOR BRONZE.
- 1. BODY MATERIAL: POLYESTER 30% GLASSFILLED COLOR BLUE, FLAME RETARDANT PER UL-94 V0.

PRODUCT NUMBER 76383-YXXLF

WHEN REQUIRED, ADD SUFFIX LETTER "LF" INDICATES THE PRODUCT IS ROHS COMPATIBLE, SEE NOTE 7

3=0.76µm GOLD/GXT ON CONTACT AREA
 3.81µm TIN-LEAD ON TAIL
 4=3.81µm TIN-LEAD ON CONTACT AREA AND ON TAIL

WHEN "LF" IS REQUIRED, 2µm MIN MATTE TIN OVER 1.27µm MIN NICKEL IS PROVIDED INSTEAD OF TIN-LEAD



mat'l. code	surface	ISO 1302	tolerance	ISO 406 ISO 1101	projection	product family	DUBOX
SEE NOTE	ISO 1302	tolerance unless otherwise specified	mm	linear	mm	SHR. HEADER	RA DR TMT
dr	date	dr	date	dr	date	title	SHR. HEADER
10-0043	LMU	10.05.03	10-0043	LMU	10.05.03	product family	DUBOX
F-21810	AMA	15.06.19	F-21810	AMA	15.06.19	product family	DUBOX
F05-0244	JCO	05.09.06	F05-0244	JCO	05.09.06	product family	DUBOX
F06-0228	LMU	06.07.11	F06-0228	LMU	06.07.11	product family	DUBOX
F06-0353	LMU	06.12.06	F06-0353	LMU	06.12.06	product family	DUBOX
F08-0147	YOV	08.04.14	F08-0147	YOV	08.04.14	product family	DUBOX
sheet revision	sheet	revision	sheet	revision	sheet	product family	DUBOX
L F08-0147	YOV	08.04.14	appd	J.F.N	01.01.24	product family	DUBOX
K F06-0353	LMU	06.12.06	chn	J.M.C	01.01.24	product family	DUBOX
J F06-0228	LMU	06.07.11	engr	J.M.C	01.01.24	product family	DUBOX
H F05-0244	JCO	05.09.06	dr	D.L.E	01.01.24	product family	DUBOX

X-ON Electronics

Largest Supplier of Electrical and Electronic Components

Click to view similar products for [Headers & Wire Housings](#) category:

Click to view products by [FCT Electronics](#) manufacturer:

Other Similar products are found below :

[95000-104TRLF](#) [10135584-644402LF](#) [DF62W-EP2022PCA](#) [95000-106TRLF](#) [DF62W-2022SCA](#) [DF62W-EP2022PC](#) [2203348](#) [DF62W-2022SC](#) [1084018](#) [1029039](#) [1084017](#) [802-10-012-10-002000](#) [1112640](#) [1112639](#) [891-007-9SS-BST1T](#) [000-34000](#) [0008550134](#) [0009482033](#) [0009507031](#) [57102-F02-18ULF](#) [57102-S06-03LF](#) [57202-S52-04LF](#) [PCN6-15S-2.5E](#) [0039019024](#) [58102-G61-06LF](#) [582553-1](#) [0009485154](#) [0009508121](#) [0022285053](#) [0050291907](#) [018731A](#) [LY20-4P-DT1-P1E-BR](#) [02.125.8002.8](#) [60101931](#) [60598-1 \(Cut Strip\)](#) [M1625-3R/100](#) [61062-3](#) [61082-181009](#) [CSU011177004](#) [636-1427](#) [638009-1](#) [641938-9](#) [641991-4](#) [644168-1](#) [644827-2](#) [647662-1](#) [65039-019ELF](#) [65692-001LF](#) [65781-018](#) [65781-047](#)