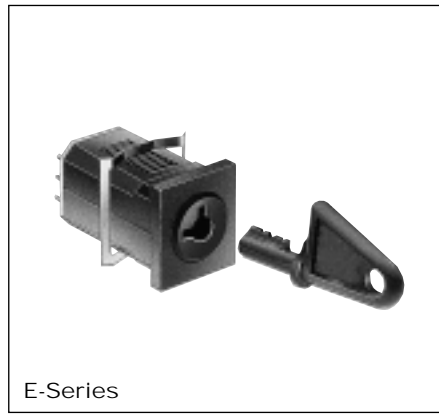
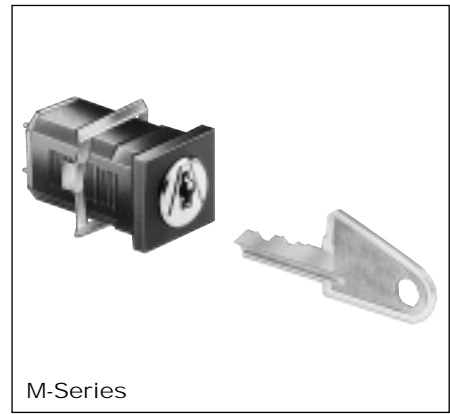


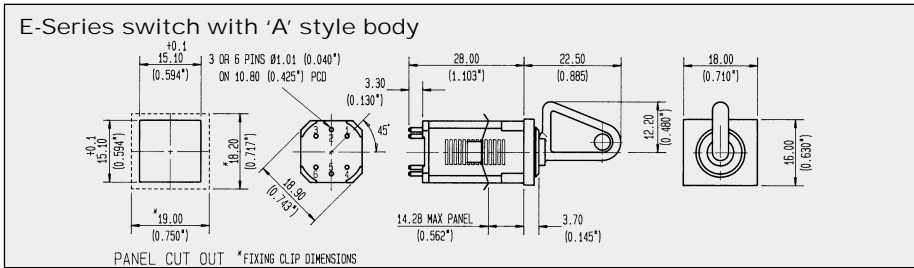
E-Series
M-Series



E-Series



M-Series



E-Series and M-Series

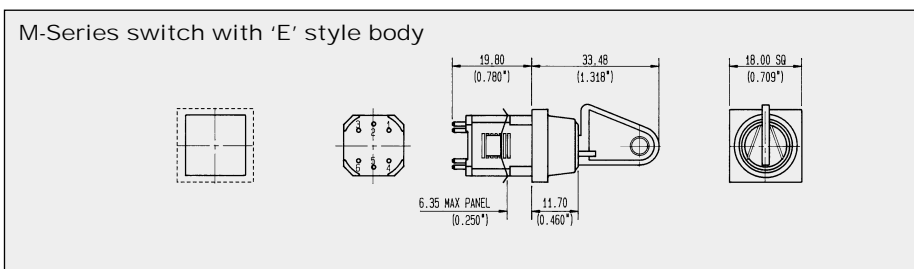
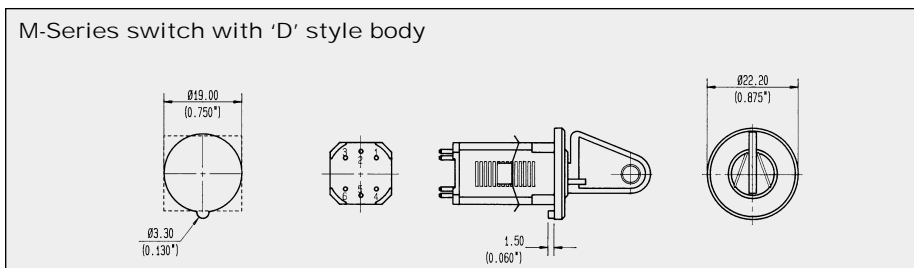
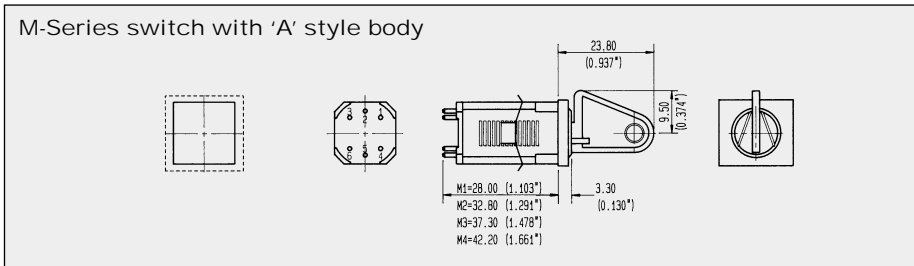
- Compact
- Simple clip mounting minimises installation time
- 3 body styles available
- Low current rating

E-Series

- All locks coded alike
- Glass-filled polyester switch housing, lock body and keys

M-Series

- Three lock coding options:
 - all locks alike – from 10 possible code choices
 - run-of-production coding – from a maximum of 200 codes
 - unique customer selected key code
- Glass-filled polyester switch housing, diecast lock body and metal keys



Specifications

Moulding material:
Glass-filled polyester (PBT)

Contacts:
Gold-plated phosphor-bronze
(moving contacts)
Gold-plated brass
(fixed contacts)

Terminals:
Gold-plated brass pins
1.01mm diameter x 3.30mm

Temperature range:
-20°C to +60°C

Mechanical life:
50,000 operations

Voltage proof:
1kV for 1 minute (terminals to earth)

Number of switch positions:
2, 3 or 4

Indexing:
90°
(40° for spring-biased actions)

Finish:
Matt black

Fixing:
Retaining clip

Recommended Max. Electrical Ratings		
Voltage	Resistive load	
VDC	mA	
30	100	

Product Range Operating Characteristics

E-Series M-Series

Keycode (M-Series only)	
Reference	Key number
B	001
M	Run-of-production coding, between 031 and 200
C	002
D	003
E	004
F	005
G	006
H	007
J	008
K	009
L	010
N	Unique customer selected code, between 011 and 030

Key trapping • Key trapped in indexed position				
Reference	←	↑	→	↓
A				
C			•	
Q	•		•	
B		•		
D				•
E	•			
F	•		•	•
G		•	•	•
H	•	•	•	
J	•	•		•
K		•	•	
L			•	•
M	•			•
N	•	•		
P		•		•

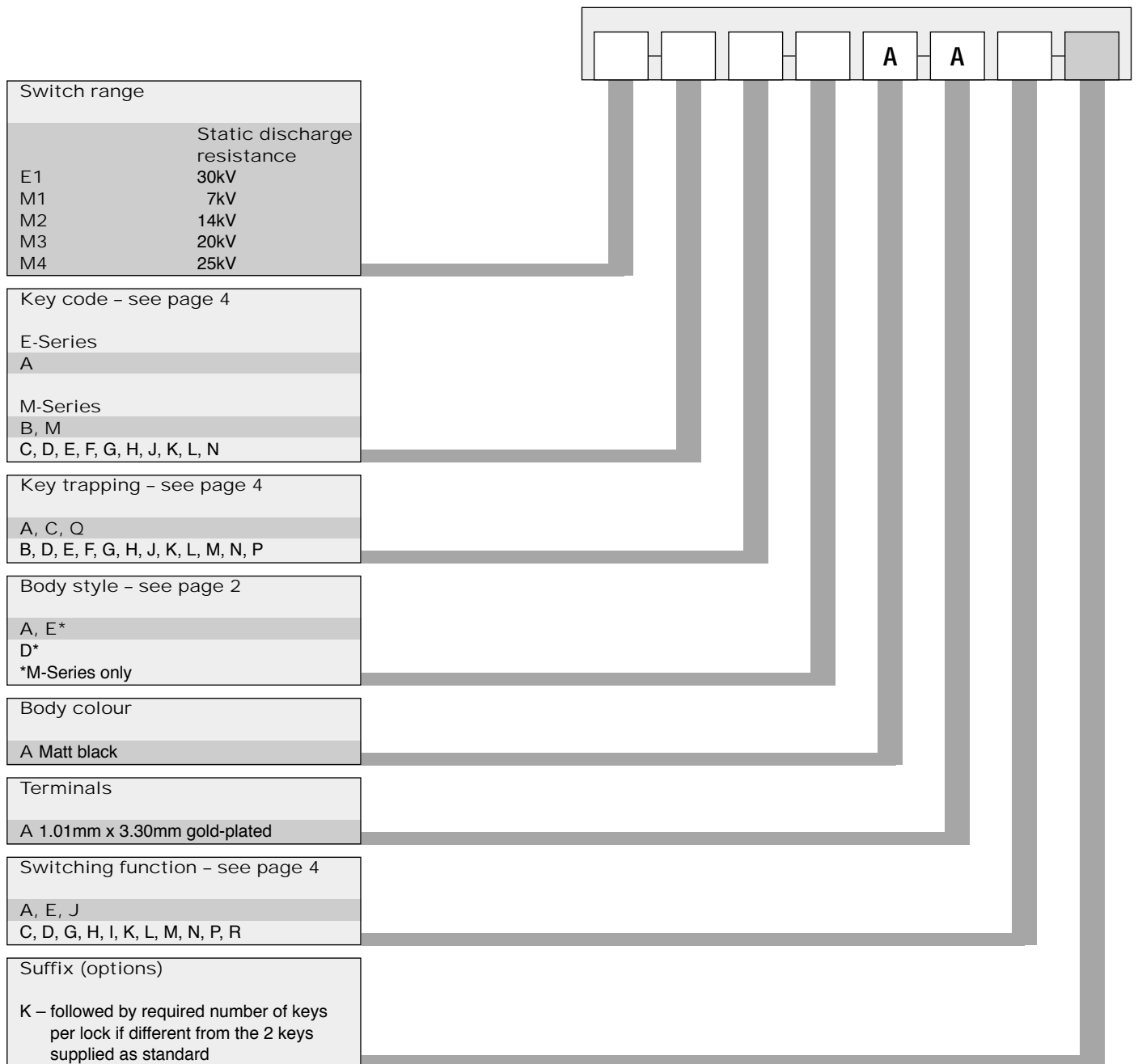
Switching function					
Reference	Switching function	←	↑	→	↓
A	Changeover Single pole		○—○ ○ 1 2 3	○ ○—○ 1 2 3	
E	Changeover Double pole		○—○ ○ ○—○ 1 2 3 1 2 3	○ ○—○ ○ ○—○ 4 5 6 4 5 6	
J	3 circuit selector	○—○ ○ ○ ○ ○	○ ○—○ ○ ○ ○	○ ○ ○ ○ ○—○	
C	3 position changeover Centre off Single pole	○—○ ○	○ ○ ○	○ ○—○	
D	1-1 and 2-2 Single pole Make-before-break	○—○ ○	○—○—○	○ ○—○	
G	Changeover Centre off Double pole	○—○ ○ ○—○ ○	○ ○ ○ ○ ○ ○	○ ○—○ ○ ○—○	
H	1-1 and 2-2 Double pole Make-before-break	○—○ ○ ○—○ ○	○—○—○ ○—○—○	○ ○—○ ○ ○—○	
I	0-1-2 Single pole	○ ○ ○	○—○ ○	○ ○—○	
K	4 circuit selector Fully rotary	○—○ ○ ○ ○ ○	○ ○—○ ○ ○ ○	○ ○ ○ ○ ○—○	○ ○ ○ ○—○ ○
L*	4 circuit selector Stopped between 9 and 12 o'clock	○—○ ○ ○ ○ ○	○ ○—○ ○ ○ ○	○ ○ ○ ○ ○—○	○ ○ ○ ○—○ ○
M	Off-on Spring-biased off Single pole		○ ○ ○	○ ○—○	
N	Off-on Spring-biased off Double pole		○ ○ ○ ○ ○ ○	○ ○—○ ○ ○—○	
P	Spring-biased to centre off Double pole	○—○ ○ ○—○ ○	○ ○ ○ ○ ○ ○	○ ○—○ ○ ○—○	
R	Changeover centre off Clockwise biased to centre off Single pole	○—○ ○	○ ○ ○	○ ○—○	

*M-Series only mom Momentary switching function – spring return mechanism

Standard	Dark shading
Option	Light shading

E-Series M-Series

Ordering References



X-ON Electronics

Largest Supplier of Electrical and Electronic Components

Click to view similar products for [Keylock Switches](#) category:

Click to view products by [Saia-Burgess](#) manufacturer:

Other Similar products are found below :

[89496-09](#) [89638-00](#) [58J9A90-01C02N](#) [719-0022-020](#) [719-0122-000](#) [719-0201-000](#) [719-0202-000](#) [719-0702-000](#) [84800-04](#) [88521-00](#)
[GKNC33L](#) [GKNC3L](#) [PVA2OAH5](#) [14-136.025K](#) [14-235.022K](#) [AS6H-2K2A](#) [AS6M-2K1B](#) [1571487-1](#) [HW4K-2BF20](#) [JD7510H](#)
[K6SLYE1.55NL327SD](#) [KH3C-20C](#) [89638-05](#) [A028301](#) [A165K-J2AL-2](#) [A165K-J2M-2](#) [A165K-J3AMR](#) [A165K-J3M](#) [205389 \(PAYGUARD](#)
[BUTTON PAD\)](#) [2SWK131AL102](#) [30PA39-AML](#) [LW6MJ-2C64WWB](#) [AS6M-2K1A](#) [51-401.036D](#) [51-401.036K](#) [51-414.036D](#) [HW1K-](#)
[3HF20](#) [4370039](#) [Y1112-2027CLFT](#) [4B01H322NCFQ](#) [51-155.025D](#) [51-195.025D](#) [51-378.AD](#) [51-404.036D](#) [51-405.036D](#) [51-415.036D](#) [1-](#)
[1437597-8](#) [86945-05](#) [88169-05](#) [719-0204-000](#)