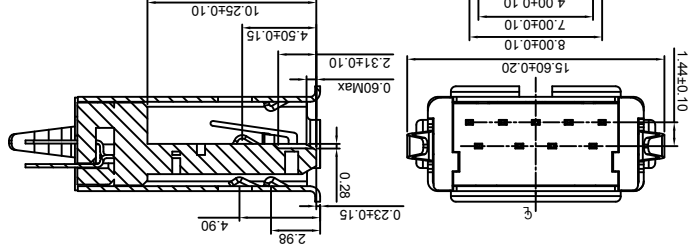
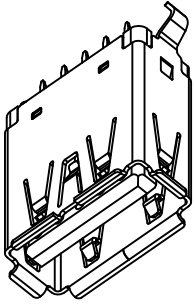
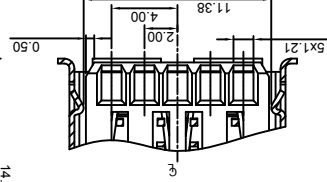
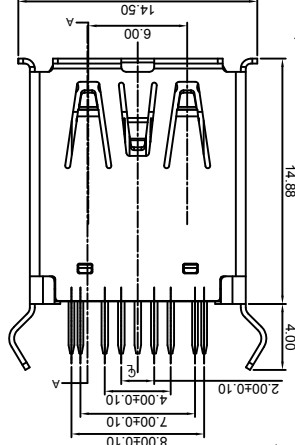


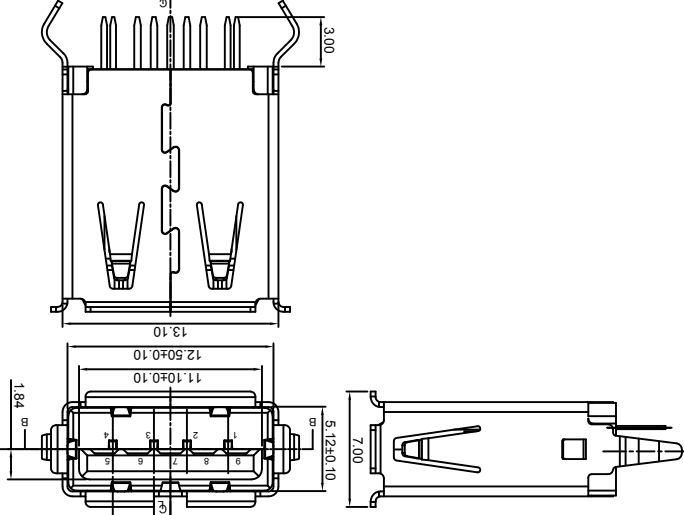
Designed to comply with physical, electrical and environmental requirements of full size USB Standard Compliance (USB3.0).



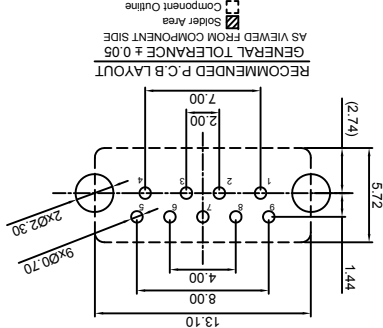
SECTION A-A



SECTION B-B



RECOMMENDED P.C.B LAYOUT
GENERAL TOLERANCE ± 0.05
AS VIEWED FROM COMPONENT SIDE



Ordering Grd
USB1085-30-B
Contact Plating
30 = 30µ" Gold
Packing Options
B = Tray (100 per tray)
REQUEST SAMPLES AND QUOTATION

PIN	SIGNAL	1	2	3	4	5	6	7	8	9	Shield
SIGNAL	VBUS	D-	D+	GND	SID _A _SSRX-	SID _A _SSRX+	GND_DRAIN	SID _A _SSTX-	SID _A _SSTX+	Shield	

Specifications 规格:

Materials 材料: Plastic Housing 塑胶外壳; LCP, UL 94V-0, A, 30% Glass-filled, Blue
Contact Terminal 接触端子: Copper Alloy 铜合金
Metallic Shell 金属外壳: Brass
Plating 电镀:
Contact Area 接触面积: Gold 30µ"
Contact Area Underplating 接触面积浸: 50µ" min. Nickel
Solder Area 焊接末端: Matt Tin 50µ" min.
Metallic Shell 金属外壳: Nickel 80µ" Min.
Voltage Rating 电压额定值: 100 V AC
Current Rating 电流额定值:
0.25A (Signal Pins 信号引脚 2,3,5,6,7,8,9)
1.8A (Power Pins 电源引脚 1,4)
Operating Temperature 工作温度: -55°C to +85°C
Contact Resistance 接触电阻值: 30 mΩ max.
Insulating Resistance 绝缘电阻值: 1000 MΩ min.
Dielectric Withstand Voltage 耐电压: 100V AC/minute
Mechanical 机械性规格:
Mating Force 插入力: 35N max.
Unmating Force 拔出力: 10N min. initial, 8N min. after test
Durability 耐久性: 5000 Cycles

Tolerances	Part Number:-	Date:-
(Except as noted)	USB1085	11 MAR 13
Dimensions in mm	Description:-	
Angle	USB 3.0 Receptacle, Type A, Through Hole, Vertical, 9 Pin, with Kinked Shell Stakes	
X ± 0.50	X ± 0.38	
X ± 0.20	X ± 0.10	
X XXX ± 0.10	Third Angle Projection	
THIS DRAWING IS CONFIDENTIAL AND MUST NOT BE COPIED OR DISCLOSED WITHOUT WRITTEN CONSENT		
Scale	Revision	Material
NTS	C	See Note
7	8	Material
7	8	Drawn by
7	8	E & OE
7	8	Sheet No.

GCT
www.gct.co

By	DETAIL	REV	DATE
AJO	Release	A	11/03/13
AJO	PCN	B	21/10/13
AJO	PCN	C	09/12/13
AJO	PCN		
AJO	PCN		

Deca-BDE
COMPLIANT
2011/65/EU
ROHS

By	AJO	AJO	AJO
DETAIL	Drawing Release	PCN	PCN
REV	A	B	C
DATE	11/03/13	21/10/13	09/12/13



Tolerances	Part Number:-	Date:-
Dimensions in mm	USB1085	11 MAR 13
Angle	Description:-	
X ± 0.50	USB 3.0 Receptacle, Type A, Through Hole, Vertical, 9 Pin, with Kinked Shell Stakes	
XX ± 0.20		
XXX ± 0.10		

THIS DRAWING IS CONFIDENTIAL AND MUST NOT BE COPIED OR DISCLOSED WITHOUT WRITTEN CONSENT

Scale

Revision

Material

See Note

Drawn by

AJO

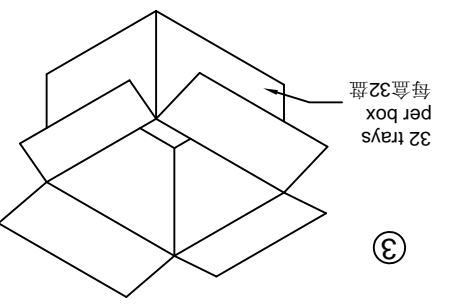
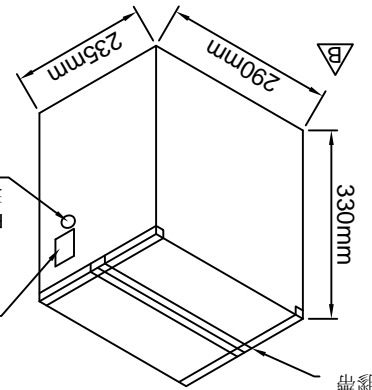
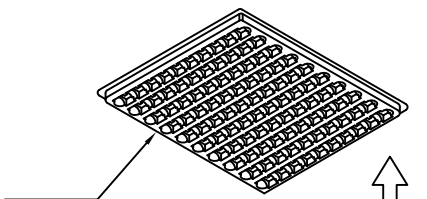
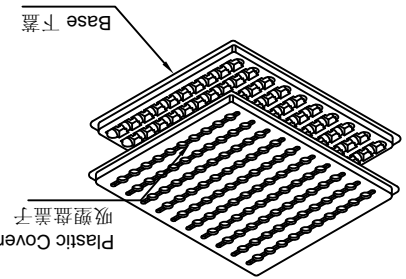
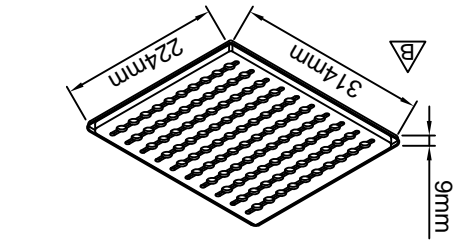
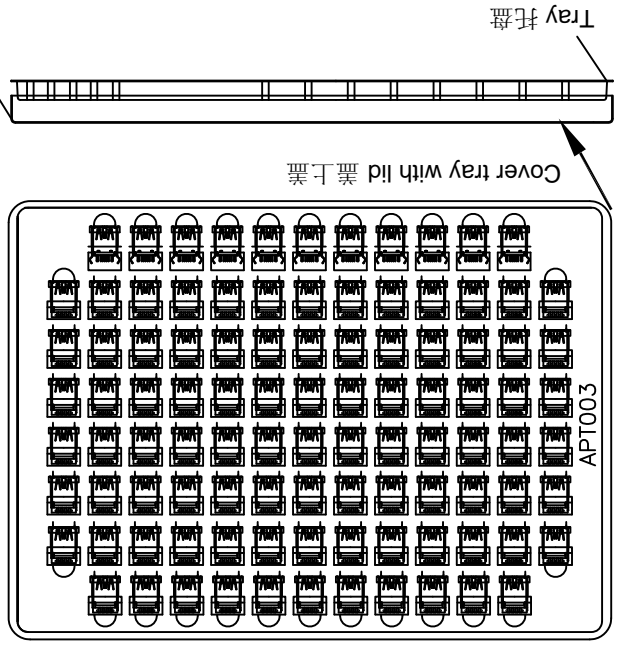
E & OE

Sheet No.

2/2

GCT

www.gct.co



USB1085 - 100 pieces per tray

- 封装规则:
1. USB's placed into the tray base. 将USB连接器放入吸塑盘内
 2. Tray cover and base taped together to keep USB's in place. USB连接器放好后，加上吸塑盖，并用胶带缠绕好
 3. 32 trays put into carton. 32吸塑盘一叠，放入纸箱
 4. Boxed taped and label stuck on the outer carton. 用胶带封住纸箱；并贴上标签。

Products P/N	PCS/Tray	Trays/Carton	PCS/Carton
USB1085-30-B	100	32	3200

X-ON Electronics

Largest Supplier of Electrical and Electronic Components

Click to view similar products for [gct manufacturer](#):

Other Similar products are found below :

[BG302-03-A-L-G](#) [BD021-09A-A1-0350-0200-0550-LD](#) [BG095-10-A-N-D](#) [BG165-04-A-A-N-H](#) [BC070-06-A-1-L-D](#) [BG120-10-A-0-N-D](#)
[SIM7050-8-0-00-A](#) [BF020-03-A-B-0600-0300-N-G](#) [DCJ250-15-A-K1-C](#) [BG030-06-A-0450-0300-N-G](#) [DCJ065-05-A-K1-A](#) [USB4085-GF-A](#)
[BC085-08-A-0390-L-D](#) [BC034-10-A-V-0150-L-D](#) [BG300-06-A-L-A](#) [BG301-02-A-0540-L-B](#) [BG095-07-A-N-D](#) [BG040-06-A-0450-0300-N-G](#)
[BG030-04-A-0450-0300-N-G](#) [USB3105-30-A](#) [BD020-10-A-J-0350-0300-L-G](#) [BG303-04-A-0300-L-G](#) [DCJ235-05-A-K1-K](#) [BG301-05-A-0540-L-B](#)
[BC050-06A-K0-0200-0160-0480-LG](#) [MEM2075-00-140-01-A](#) [USB4055-30-A](#) [BG055-04A-1-0450-0530-0350-L-G](#) [BC050-10A-K0-0200-0160-0480-LD](#)
[BC070-20-A-1-L-D](#) [MEM2067-02-180-00-A](#) [BG120-04-A-0-N-D](#) [BC085-06-A-0390-L-D](#) [BC050-08A-K0-0200-0160-0480-LG](#)
[BC050-14A-K0-0200-0160-0480-LD](#) [DCJ250-10-A-K1-K](#) [BG302-05-A-L-G](#) [USB4065-30-A](#) [USB1035-GF-P-0-B-B](#) [BF085-02-A-0240-N-G](#)
[BG050-10A-0-0450-0737-0350-L-D](#) [BG302-04-A-L-G](#) [BG055-03A-1-0650-0530-0350-L-G](#) [BC075-08-A-L-D](#) [BC032-06-A-2-0200-0200-L-D](#)
[BF020-02-A-B-0400-0300-N-G](#) [BD020-03-A-J-0350-0300-L-G](#) [BC050-12A-K0-0200-0160-0480-LD](#) [USB3160-30-0170-1-C](#) [BC020-06-A-0200-0300-L-D](#)