

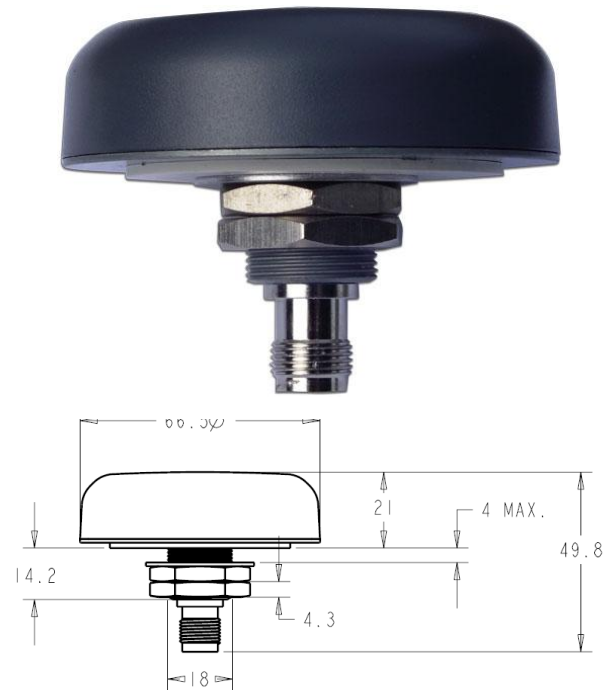


TW3400 Permanent Mount GPS/GLONASS Antenna

The TW3400 is a professional grade GNSS antenna covering the GPS L1, GLONASS L1 and SBAS (WAAS, EGNOS & MSAS) frequency band (1574 to 1606 MHz). It is especially designed for precision industrial, agricultural and military applications and offers excellent circular polarized signal reception, multipath rejection and out of band signal rejection.

The TW3400 features a highly circular dual-feed wideband patch element, with a two stage Low Noise Amplifier, comprised of one input LNA per feed, a mid section SAW to filter the combined output, and a final output gain stage. This configuration provides excellent axial ratio that is constant across the full frequency band.

The TW3400 is housed in a permanent mount industrial-grade weather-proof enclosure, and comes with a TNC Jack (female) connector.



Applications

- High Accuracy & Mission Critical Global Positioning
- Precision Agriculture, Mining & Construction
- Military & Security
- Avionics
- Law Enforcement & Public Safety
- Fleet Management & Asset Tracking

Features

- Great axial ratio: 1 dB typ.
- Low noise LNA: 1 dB
- High rejection SAW filter
- High gain LNA: 28 dB typ.
- Low current: 10 mA typ.
- Wide voltage input range: 3 to 12 VDC
- IP67 weather proof housing

Benefits

- Excellent circular polarisation
- Excellent multipath rejection
- Excellent signal to noise ratio
- Great out of band signal rejection
- Increased system accuracy
- Ideal for harsh environments
- RoHS compliant



TW3400 Permanent Mount GPS/GLONASS Antenna Specifications

Antenna

Architecture	Dual, Quadrature Feeds
1 dB Bandwidth	30 MHz
Antenna Gain (with 100mm ground plane)	4.25 dBic
Axial Ratio (over full bandwidth)	1 dB typ., 3 dB max.

Electrical

Architecture	One LNA per feed line, mid section SAW filter
Filtered LNA Frequency Bandwidth	1574 to 1606 MHz
Polarization	RHCP
LNA Gain	28 dB min., 1575.42 to 1606 MHz
Gain flatness	+/- 2 dB, 1575 to 1605 MHz
Out-of-Band Rejection	<1500 MHz >32 dB <1550 MHz >25 dB >1640 MHz >35 dB
VSWR (at LNA output)	<1.5:1
Noise Figure	1 dB typ.
Supply Voltage Range (over coaxial cable)	3 to 12 VDC nominal
Supply Current	10 mA typ.
ESD Circuit Protection	15 KV air discharge

Mechanicals & Environmental

Mechanical Size	66.5 mm dia. x 21 mm H
Connectors	TNC Jack (female)
Cable (Option)	Custom cable assembly available.
Operating Temp. Range	-40 to +85 °C
Enclosure	Radome: ASA Plastic, Base: Zamak White Metal
Weight	150 g
Attachment Method	Permanent 3/4" (19mm) through hole mount
Environmental	IP67 and RoHS compliant
Shock	Vertical axis: 50 G, other axes: 30 G
Vibration	3 axis, sweep = 15 min, 10 to 200 Hz sweep: 3 G
Warranty	One year, parts and labour

Ordering Information

TW3400 – GPS/Glonass Antenna, TNC Jack (female)	32-3400-0
---	-----------

Please contact Tallysman Wireless for additional information

Tallysman Wireless Inc

106 Schneider Road, Unit 3
Ottawa ON K2K 1Y2 Canada
Tel 613 591 3131
Fax 613 591 3121
sales@tallysman.com

The information provided herein is intended as a guide only and is subject to change without notice. This document is not to be regarded as a guarantee of performance. Tallysman Wireless Inc. hereby disclaims any or all warranties and liabilities of any kind. © 2010 Tallysman Wireless Inc. All rights reserved.

X-ON Electronics

Largest Supplier of Electrical and Electronic Components

Click to view similar products for [tallysman wireless manufacturer](#):

Other Similar products are found below :

[33-0125-0](#) [32-0154-0](#) [TW4020-00](#) [TW3600-01](#) [TW1421-05](#)