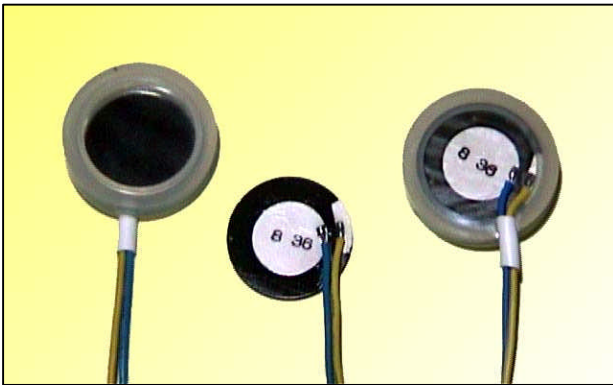


Ultrasonic Atomizing Transducers



Pro-Wave has dedicated in ultrasonic field over 19 years since 1980 and earned a worldwide reputation for his specialty, flexibility and sincerity in the past decades.

The ultrasonic atomizing transducers using our factory made high Q hard type piezoelectric ceramic element is ideal for atomizing liquids. A very fine mist having a particle diameter of only a few microns can be generated.

We are not only supply atomizing element but also entire assembled transducer unit with silicone rubber holder.

Features

- Piezoelectric ceramic element clad with stainless steel for erosion resistance.
- Fine and consistent particle size of less than $3\mu\text{m}$
- High atomizing efficiency $>400\text{ cc/hr}$
- Less power consumption
- High stability and durability

Applications

- Humidification in refrigerated food displays and storage, living environments, and air conditioning plants.
- Inhalation and disinfecting equipment
- Humidification in industrial process control for lubrication, coating and etc.



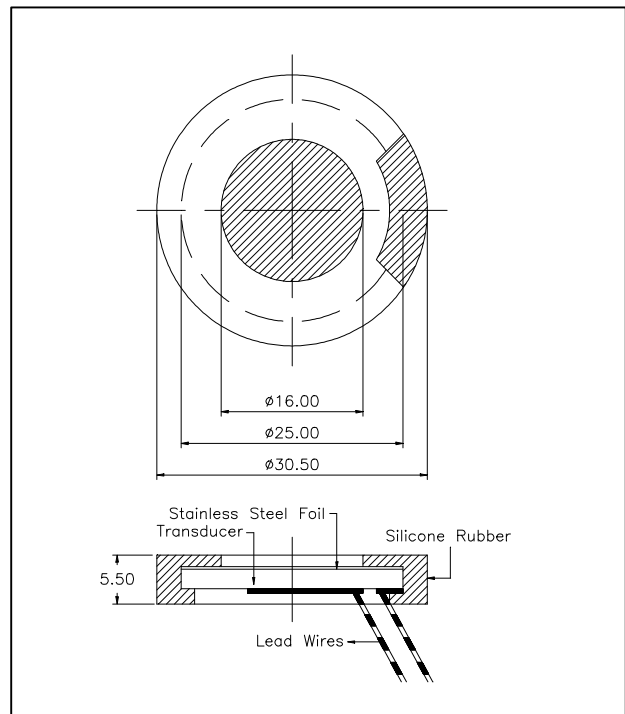
Specification

M165D25	25mm Dia.
Resonance Frequency	$1.65\pm 0.05\text{Mhz}$
Resonance Impedance	$2.0\Omega\text{ max.}$
Capacitance at 1Khz $\pm 20\%$	2,000 pF
Dissipation Factor at 1Khz	0.5% max.
Operation Duration (hour)	$>6,000$
Atomizing Quantity	400 cc/hr
Water Level	45 mm
Input Power (maximum)	30 Watt
Operation Temperature	0 to 45°C
Storage Temperature	$-20\text{ to }65^{\circ}\text{C}$

All specification is typical at 25°C .

Other frequency and diameter element can be supplied upon request.

Dimensions



X-ON Electronics

Largest Supplier of Electrical and Electronic Components

Click to view similar products for [prowave manufacturer](#):

Other Similar products are found below :

[400SR120](#) [400ST100](#) [FS-2513P](#) [328ER250](#) [M165D25](#) [400SR10B](#) [K4000001](#) [400ST120](#) [400SR160](#) [400EP18A](#) [500MB120](#) [K4000005](#)
[K4000004](#) [400PT160](#)