

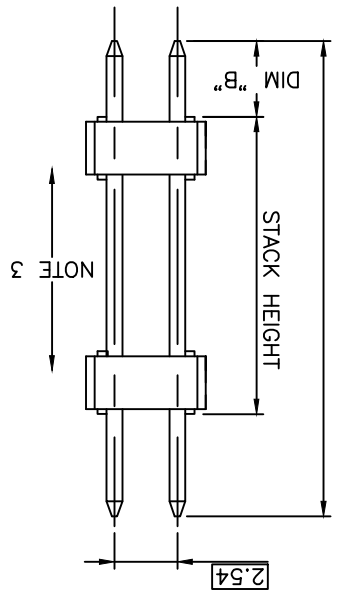
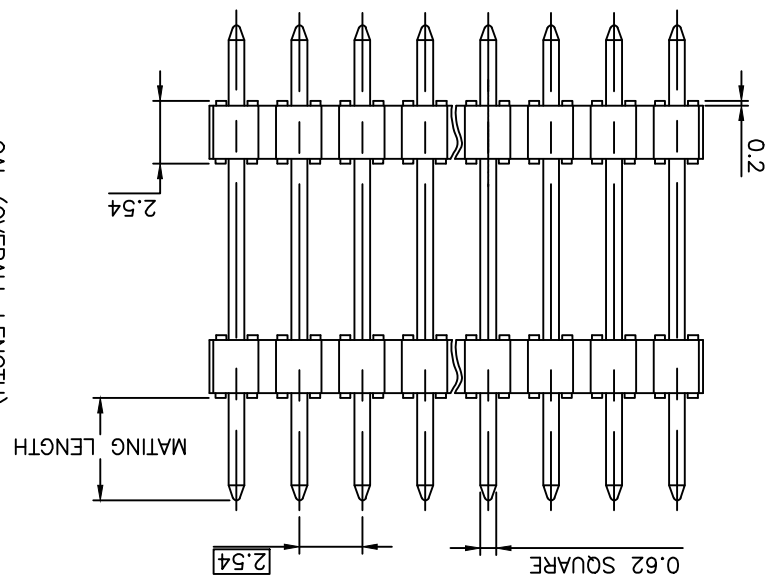
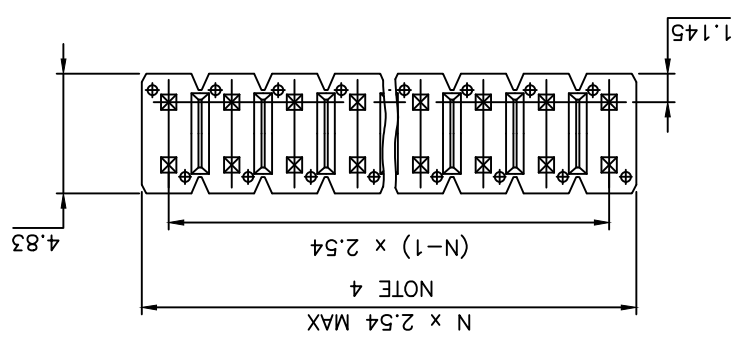
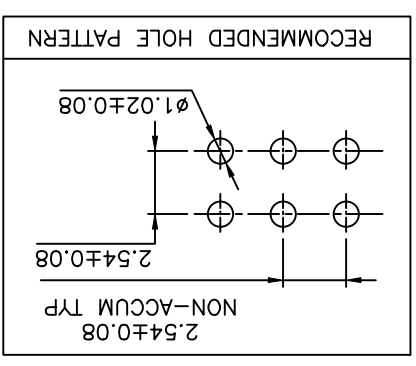
PRODUCT NUMBER  
76745-YYX-XXLF

ROHS COMPATIBLE, SEE NOTE 8  
TOTAL NB OF POS (04 TO 72 POS)  
OPTION LETTER, SEE NOTE 6  
PIN STYLE

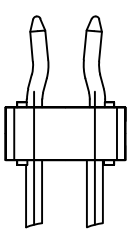
PLATING  
1 = 0.76µm GOLD/GTX,  
3 = 2µm MIN MATTE TIN FULL PLATED  
5 / 8 = 0.38µm GOLD/GTX

NOTES:  
1. HOUSING MATL: HIGH TEMPERATURE THERMOPLASTIC, UL94V-0 COLOR: BLACK.  
2. PIN MATERIAL: PHOSPHOR BRONZE.  
3. 12N MIN RETENTION IN EITHER DIRECTION.  
4. TO DETERMINE DIMENSIONS:  
N = NUMBER OF POSITIONS PER ROW  
EXAMPLE: 8 POS PER ROW, N x 2.54 = 20.32mm  
5. FOR STANDARD SELECTIVE GOLD PLATED PRODUCTS  
SEE DRAWINGS 54111 & 54121.  
6. OPTION LETTER:  
- = STANDARD PACKAGING IN POLYBAG  
V = POLYBAGS PACKAGING FOR CUSTOMER DEDICATED PART  
B = TUBE WITH PICK UP CAP AS AVAILABLE  
7. RETENTION IS APPLIED TO TWO ADJACENT PINS AT EACH END OF THE PRODUCT SEE SCHEMA 1  
OMIT FROM PRODUCT NUMBER IF THIS FEATURE IS NOT APPLICABLE  
8. ROHS COMPATIBLE PRODUCT SPECIFICATIONS

- a - PLATING:  
"LF" MEANS THE PRODUCT IS LEAD-FREE,  
2µm MINIMUM MATTE TIN OVER 1.27µm  
MINIMUM NICKEL UNDERPLATE.
- b - MANUFACTURING PROCESS COMPATIBILITY  
- THE HOUSING WILL WITHSTAND EXPOSURE TO  
260°C ±5°C SOLDER BATH TEMPERATURE FOR  
WITH A 1.6mm MIN THICK CIRCUIT BOARD.
- c - LABELING:  
- MEETS PACKAGING SPECS AS PER GS-14-920  
- LEGAL STATEMENT: SEE GS-47-0004



OAL (OVERALL LENGTH)  
REF



SCHEMA 1  
TWO RETENTION PIN AT EACH  
END OF THE PRODUCT

matl. code	SEE NOTES	ISO 1302	surface tolerance	ISO 406 ISO 1101	projection	product family	BSTIK
ltf ecn no	dr date	tolerances unless otherwise specified	linear	xx ±0.3	mm	title	HEADER STR, DR
angles	mm	linear	xx ±0.13	mm	scale	5:1	DOUBLE BODY
FH	F-22479	BVE	15.11.12	dr	NIZI P	94.05.05	dwg no
FC	B-17321	LMU	14.03.27	engr	COMPAGNON	95.12.05	76745
FD	B-19264	LMU	14.11.03	chr			CUSTOMER
FE	B-19345	LMU	14.11.07	appd	JMC	95.12.05	type
sheet	revision	FH	CB	F	A		Drawing
index	sheet	1	2	3	4		A3



FCJconnect.com

Copyright FCJ

D

C

B

A

D

form: A3

APPLICATION SPECIFIC			
PIN STYLE	MATING STACK HEIGHT ±0.25	"B" REF	("OAL") REF
01	8.71	19.76	2.65
02	6.87	16.5	3.05
03	6.87	13.0	3.63
04	5.6	6.5	2.88
05	5.51	8.0	3.05
06	6.61	11.3	3.05
07	5.58	10.3	2.54
08	5.81	7.7	3.05
09	5.72	5.08	2.54
10	6.9	10.45	2.71
11	11.2	9.5	2.8
13	9.07	6.3	3.05
14	5.33	23.45	2.48
17	7.5	23.45	3.05
19	9.5	10.45	3.55
21	11.96	18.5	3.2
23	9.0	25.9	3.05
24	8.87	14.5	3.05
25	9.84	11.43	9.85
28	6.6	8.25	2.8
29	9.1	15.7	3.2
34	8.0	12.0	3.0
36	10.53	7.5	10.53
40	7.0	6.5	3.06
55	13.0	20.0	3.2
57	11.78	5.08	3.23
58	23.0	8.5	5.5
59	9.0	18.2	9.0
62	9.2	9.3	3.5
68	6.75	8.0	2.9
71	6.8	5.2	2.69
79	9.95	39.0	3.05
80	5.68	7.0	2.3
88	10.8	8.0	3.7
AN	10.0	29.0	3.0
BD	11.7	13.5	3.21
BM	11.5	11.5	3.04
BT	8.5	35.0	8.5
CB	9.0	30.0	3.0
CD	9.24	12.0	9.24
			30.48

SEE SHEET 3

APPLICATION SPECIFIC			
PIN STYLE	MATING STACK HEIGHT ±0.25	"B" REF	("OAL") REF
CF	8.25	16.0	8.25
CG	6.0	40.0	6.0
CH	11.02	12.0	3.02
CN	7.08	5.60	7.08
CP	9.50	7.00	2.41
CT	11.0	6.0	11.0
CU	9.75	13.0	9.75
CV	9.44	13.00	3.60
CW	5.00	36.00	5.00
CX	10.00	26.00	6.00
CY	10.9	18.20	10.9
CZ	5.5	23.00	5.50
DA	13.00	14.50	6.50
DB	12.75	8.50	12.75
DC	SEE SHEET 3		
DE	6.00	34.00	6.00
DF	9.12	7.80	9.12
DG	3.50	43.00	3.50
DH	6.50	8.00	6.50
DJ	5.80	17.75	5.80
DK	5.40	9.00	2.90
DL	9.00	8.50	6.00
DM	7.40	23.70	3.30
DN	7.40	12.10	3.30
DP	8.00	16.80	5.40
DR	6.40	15.00	6.40
DS	7.00	29.00	7.00
DT	9.80	27.40	9.80
DU	9.50	36.50	9.50
DV	9.30	6.30	5.80
DW	5.30	40.40	3.30
			49.00

SEE SHEET 3

SEE SHEET 3

SEE SHEET 3

APPLICATION SPECIFIC			
PIN STYLE	MATING STACK HEIGHT ±0.25	"B" REF	("OAL") REF
DX	6.50	12.50	6.50
DY	6.50	9.50	6.50
EA	6.65	32.30	3.05
EB	2.66	15.00	5.84
EC	10.00	39.60	2.40
ED	5.40	57.20	2.40
EF	5.84	46.50	3.05
EG	5.60	20.00	5.64
EH	4.60	15.00	1.50
EJ	9.26	5.08	9.26
EK	6.00	7.50	6.00
EL	6.00	12.30	4.10
			22.40

mat'l. code	ISO 1302	surface tolerance	ISO 406 ISO 1101	projection	product family	BSTIK
litr ecn no	dr date	tolerances unless otherwise specified		title	HEADER STR, DR	
CB	B-20322	AMA	15.01.27	angles	linear	mm
BV	F10-0259	LNU	10.12.19	scale		
BW	F11-0043	LNU	11.04.04	dr	COMPAGNON	J 94.05.05
BX	F12-009C	JFA	12.12.07	engr	JMC	95.08.28
BY	B-16665	LNU	14.01.06	chr		
CA	B-1345	LNU	14.11.07	appd	JMC	95.08.28
sheet revision	sheet	index				

dwg no	76745	sheet 2 of 4	size	A3
type	CUSTOMER	Drawing		

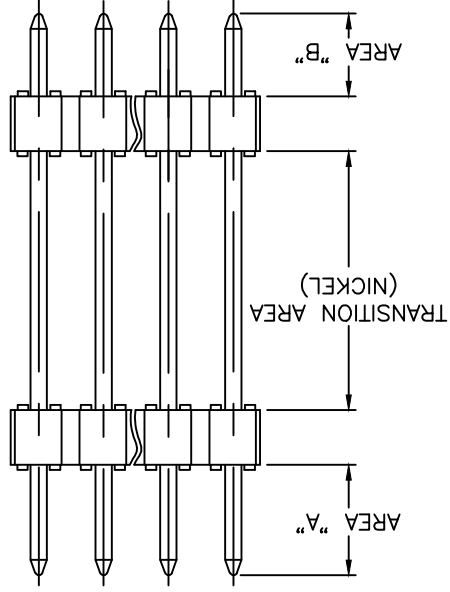
6

C

B

A

6



SPECIFICS PLATING AREA FOR PART NUMBERS :

P/N 76745-1CH-10LF  
P/N 76745-1CH-18LF  
P/N 76745-579R24LF  
P/N 76745-579R30LF  
P/N 76745-1CU-20LF  
P/N 76745-1DF-26LF

AREA "A" & "B" : GOLD/GXT PLATING AREA

mat'l. code		ISO 1302	surface tolerance	ISO 406 ISO 1101	projection	product family	BSTIK
litr	ecn no	dr	date	tolerances unless otherwise specified			
A	F06-110	LMU	06.01.26	angles	linear	mm	projection
B	F06-0196	LMU	06.06.20	scale			
C	F07-0266J	CO	07.10.15	product family			
D	F12-0023	LMU	12.06.06	title			
E	F12-009C	JFA	12.12.07	HEADER STR, DR			
F	B-16665	LMU	14.01.06	DOUBLE BODY			
sheet revision		appd	JMC	sheet 3 of 4 size			
index sheet		CUSTOMER					
		76745					
		A3					
		Drawing					

SPECIFIC PRODUCT NUMBER  
76745-3DCA04LF

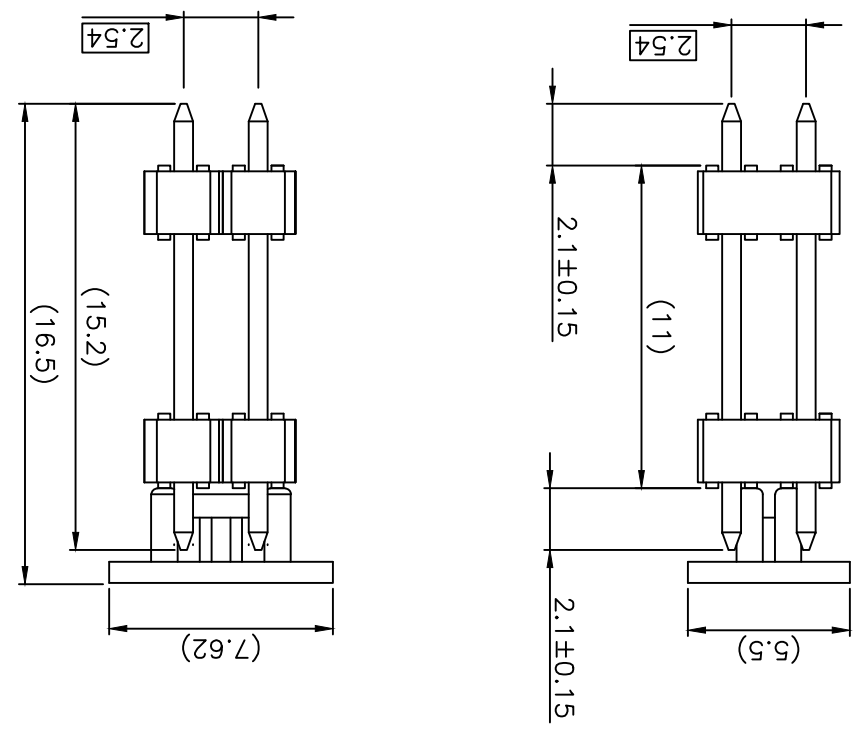
Rohs COMPLIANT  
TOTAL NB OF POS  
PACKAGING TYPE, SEE NOTE 1  
PIN STYLE  
PLATING

3 = 2µm MATTE TIN  
OVER 1.27µm Ni MIN

NOTES :

1. PACKAGING : A = TAPE & REEL PACKAGING  
WITH PICK UP CAP INSTALLED  
SEE TA 840

2. PRODUCT COMPATIBLE WITH REFLOW PROCESS.  
255°C PEAK TEMPERATURE 10-40 SECONDS IN  
A CONVECTION, INFRA-RED OR VAPOR PHASE



mat'l. code	surface	ISO 1302	tolerance	ISO 406 ISO 1101	projection	product family	BSTIK	
litr ecn no	dr	date	tolerances unless otherwise specified				title	HEADER STR, DR
	A	B-16665	LMU	14.01.06	angles	linear	mm	
					scale	DOUBLE BODY		
dr	L.MULIN	13.02.18	engr	J.COMPAGNON	13.02.18	dwg no	76745	
chr			appd	JMC	13.02.18	type	CUSTOMER	
sheet	revision		index	sheet		Drawing		

## X-ON Electronics

Largest Supplier of Electrical and Electronic Components

*Click to view similar products for [Headers & Wire Housings](#) category:*

*Click to view products by [FCT Electronics](#) manufacturer:*

Other Similar products are found below :

[95000-104TRLF](#) [10135584-644402LF](#) [DF62W-EP2022PCA](#) [95000-106TRLF](#) [DF62W-2022SCA](#) [DF62W-EP2022PC](#) [2203348](#) [DF62W-2022SC](#) [1084018](#) [1029039](#) [1084017](#) [802-10-012-10-002000](#) [1112640](#) [1112639](#) [891-007-9SS-BST1T](#) [000-34000](#) [0008550134](#) [0009482033](#) [0009507031](#) [57102-F02-18ULF](#) [57102-S06-03LF](#) [57202-S52-04LF](#) [PCN6-15S-2.5E](#) [0039019024](#) [58102-G61-06LF](#) [582553-1](#) [0009485154](#) [0009508121](#) [009176003701906](#) [0022285053](#) [0050291907](#) [018731A](#) [LY20-4P-DT1-P1E-BR](#) [02.125.8002.8](#) [60101931](#) [60598-1 \(Cut Strip\)](#) [M1625-3R/100](#) [61062-3](#) [61082-181009](#) [CSU011177004](#) [636-1427](#) [638009-1](#) [641938-9](#) [641991-4](#) [644168-1](#) [644827-2](#) [647662-1](#) [65039-019ELF](#) [65692-001LF](#) [65781-018](#)