

SERIES 76-91 FLEXIBUTTON - PANEL SEALED RANGE

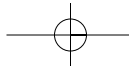
FEATURES

- Waterproof panel seal
 - IP67 approved to BS5420 (IEC144)
- Flame retardant body
 - UL94-VO approved material
- High dielectric strength
- Wide temperature range
 - up to 80°C
- Robust construction
 - for harsh environments
- Positive tactile response
 - for operator feedback
- Operates at up to 10 Amps

NON-STANDARD OPTIONS

- 2 pole versions
- Alternate action versions
- PCB terminals
- Gold contacts
- Fully sealed with flying leads

TW Switches



Technical Information

Series 76-91

A robust pushbutton switch designed for demanding environmental applications. The snap-action switch mechanism provides high quality switching behind an ice-proof, flexible actuator. The body of the Flexibutton is flame retardant to UL94-VO approval and the switch is panel sealed to IP67.

The range offers the choice of six button colours with solder/quick connect terminals as standard. Single and double pole versions are available in momentary or alternate actions. A locknut and sealing washer are supplied with the switch.

Mechanical

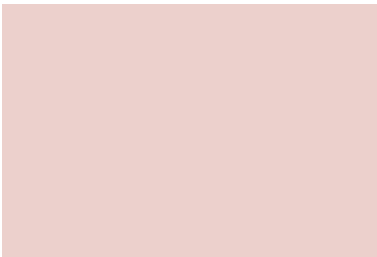
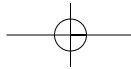
| | |
|---------------------------------|------------------------|
| Travel | 3,3mm reference |
| Life (min) | 10 ⁶ cycles |
| Operating force (nom) | 12N |
| (max) | 15,5N |
| Contact bounce | <5ms |
| Panel thickness (max) | 4mm |
| Locknut tightening torque (max) | 2,85Nm |

Electrical

| | |
|-----------------------------------|--------------------------|
| Current (max) silver contacts | 10A resistive 250 V a.c. |
| Current (min) silver contacts | 10mA resistive 5V d.c. |
| Life (min) | 10 ⁵ cycles |
| Dielectric strength | 1KV a.c., 1minute |
| Insulation resistance (min) | 1GΩ @ 500V d.c |
| Contact resistance (max. initial) | 25mΩ |

Environmental & Physical

| | |
|-------------------------|------------------------|
| Ingress protection | IP67 |
| Impact rating | 2 Joules |
| Shock (min) | 10g |
| Temperature | -40°C to +80°C |
| Body material | Glass filled polyester |
| Button material | Polyether block amide |
| Sealing washer material | Nitrile rubber |
| Contacts | Fine silver |
| Terminals | Tin plated brass |



Ordering Information

Button Style

| | |
|------------------|---|
| Momentary 1 Pole | 1 |
| Momentary 2 Pole | 2 |

76-91 /439088

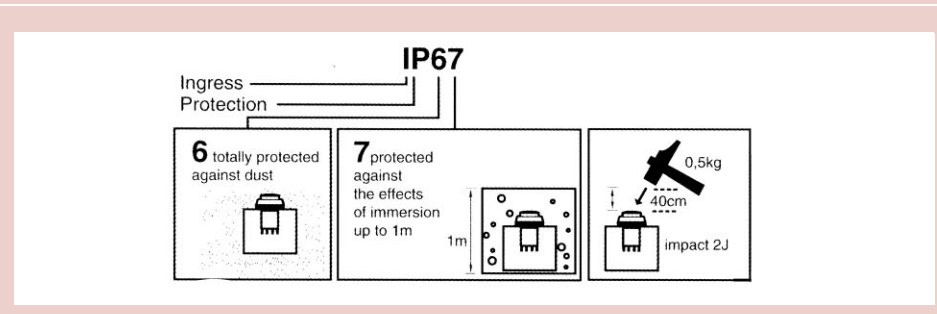
Indicator Colour

| | |
|--------|---|
| White | 1 |
| Red | 2 |
| Green | 3 |
| Blue | 4 |
| Yellow | 5 |
| Black | 6 |

Panel Mounting & Construction Information

The Flexibutton mounts easily into panels not exceeding 4mm thickness. Front panel sealing to IP67 is achieved by use of sealing washer which is fitted to the switch before it is inserted into the panel hole cut-out. Momentary single pole versions mount in a DIN standard 22,5mm diameter hole, or by reversing the special locknut, will mount in a 25mm diameter hole. Alternate and double pole versions mount into 25mm hole*. The locknut is then screwed on from behind the panel to secure the switch in place. The tightening torque is from 1,5Nm to 2,85Nm.
 *(For 22,5mm fixing on these versions, please consult the factory.)

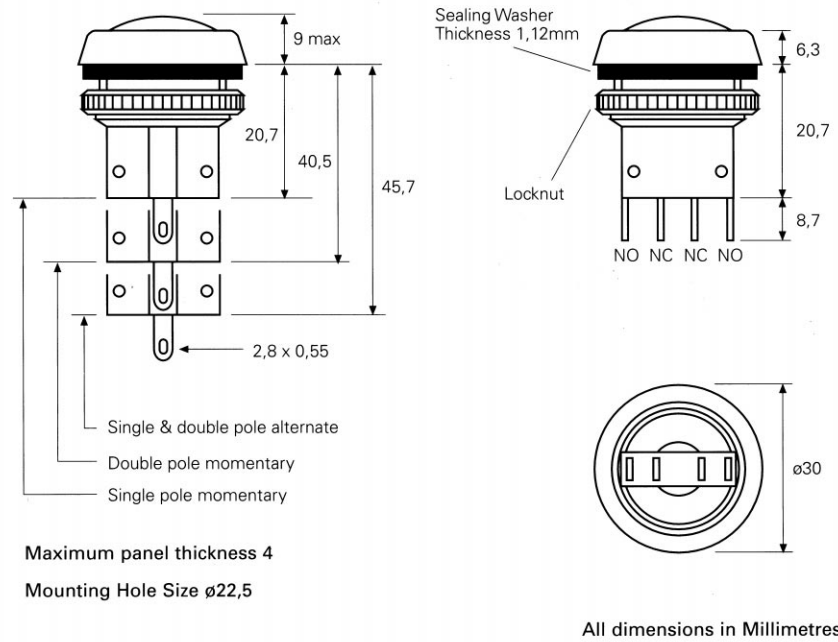
Ingress Protection Impact Key



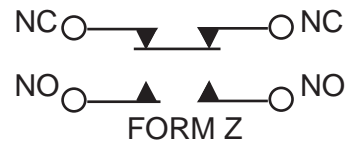
SERIES 76-91 FLEXIBUTTON Panel Sealed Range

Technical Information

Product Dimensions



Circuit Form



Application References

- Mining
- Field Equipment
- Dairy
- Hydraulic vehicles
- Exterior security call points
- Marine Instrumentation
- Car wash machinery

Further Information

For further information on our complete range of switch products, visit our website- www.itwswitches.co.uk or contact our Sales Office.

X-ON Electronics

Largest Supplier of Electrical and Electronic Components

Click to view similar products for [itw switches manufacturer](#):

Other Similar products are found below :

[MP648-16\(50\)](#) [SDBS25PN](#) [76-1024](#) [48M-111B](#) [76-959034](#) [181541B](#) [MDJ15](#) [DA15POLF](#) [48M-111G](#) [22-204](#) [DC37PF](#) [DB25SNF](#) [DB25SF](#)
[76-9510/4044](#) [49-59115](#) [40-2-5](#) [76-9513/4044G](#) [76-9113/439088](#) [SDAX15SNT](#) [SDD50PTD](#) [H48M-213B/4044](#) [59-900091](#) [48M210N](#)
[ES1020](#) [SDB25PNTD](#) [DE9SNF](#) [DAC15P](#) [49-59121](#) [H48M-112B/4044](#) [57-112R](#) [HDAX26SNT](#) [76-9112/439088](#) [48-1-RB-G-BK-B](#) [76-](#)
[9440/439088N](#) [48M112R](#) [H48M-112G/4044](#) [57M110N](#) [40-2-10](#) [H48M-212B/4044](#) [76-9116/439088](#) [DE9PF](#) [57M-211B](#) [H48M-212R/4044](#)
[4959213](#) [48M110N](#) [1640401](#) [76-9711/439088R](#) [76-9440/439088B](#) [48-1-RB-R-BK-B](#) [76-1266](#)