

# Universal control- and safety isolating- resp. isolating transformer

## USTE 250/2x12



### Advantages

|   |
|---|
| Universal input voltages 208 to 600 Vac   |
| Very good switch-on behaviour thanks to reduced starting currents                     |
| High performance for the volume thanks to compact design                              |
| Very good corrosion protection and low noise thanks to BLOCKIMPEX vacuum impregnation |
| Quick to cable up thanks to the use of spring-loaded terminals                        |
| Contact protected screw connection terminals complying with UVV BGV A3                |
| Simple mounting thanks to robust metal footplate with oval slots                      |
| Up to 250 VA with combination footplate for bolted and rail mounting                  |

### Applications

As a control transformer for the electrical isolation of the input and output sides. The construction of the transformer to supply control systems according to VDE 0113 is designed.

As an isolating transformer for the safe electrical isolation of the input and output sides. The transformer may be used to set up protective separation as a protective measure in accordance with VDE 0100.

As a safety isolating transformer for the safe electrical isolation of the input and output sides. The transformer is suitable for creating SELV and PELV circuits because of the limit on the output voltage.

### Standards



Control transformer  
to: VDE 0570 Teil 2-2, DIN EN 61558-2-2, EN 61558-2-2, IEC 61558-2-2,  
UL 5085-1/-2, CSA 22.2 No.66  
Safety isolating transformer  
to: VDE 0570 Teil 2-6, DIN EN 61558-2-6, EN 61558-2-6, IEC 61558-2-6, UL  
5085-1/-2, CSA 22.2 No.66

### Approvals



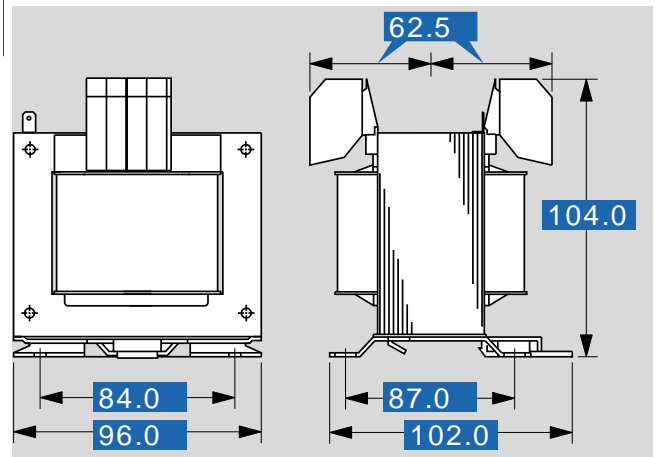
UL 5085-1/-2, CSA 22.2 No.66



# Universal control- and safety isolating- resp. isolating transformer USTE 250/2x12

| Type  |   | USTE 250/2x12  |
|---|---|--|
| <b>Electrical data</b>  | Input                                     |  |
|   | Rated input Voltage                       | 208 Vac/230 Vac/380 Vac<br>400 Vac/415 Vac/440 Vac<br>460 Vac/480 Vac/500 Vac<br>525 Vac/550 Vac/575 Vac 600 Vac |
|   | Rated frequency                           | 50 - 60 Hz   |
|   | Output                                    |  |
|   | Rated output voltage                      | 2 x 12 Vac   |
|   | Rated power VDE (DB cos phi=1)            | 250 VA   |
|   | Rated power VDE (KB cos phi=0.5)          | 850 VA   |
|   | No-load voltage (app. x factor)           | 1.07   |
|   | Efficiency                                | 90 %   |
|   | Standards                                 |  |
| Classification  | Control- and safety isolating transformer |  |
| Approvals   |   |  |
| Approvals   | cURus                                     |  |
| Environment   |   |  |
| Ambient temperature max.  | 40 °C                                     |  |
| Cooling method  | self cooling                              |  |
| Safety and protection   |   |  |
| Type  | open type                                 |  |
| Class of Insulation System  | VDE=B, UL=class 130                       |  |
| Protection index  | IP 00                                     |  |
| Safety class (prepared)   | I   |  |
| Short circuit strength  | non-short-circuit proof                   |  |
| PRI Fusing recommendation by circuit breaker with tripping characteristic type 20 x I rated related to set) |   |  |
| Setting range 208 - 230 Vac   | 1.00 - 1.60 A                             |  |
| Setting value 208 - 230 Vac   | 1.30 A                                    |  |
| Setting range 380 - 415 Vac   | 0.63 - 1.00 A                             |  |
| Setting value 380 - 415 Vac   | 0.71 A                                    |  |
| Setting range 440 +20 Vac   | 0.63 - 1.00 A                             |  |
| Setting value 440 +20 Vac   | 0.64 A                                    |  |
| Setting range 500 -20/+25 Vac   | 0.40 - 0.63 A                             |  |
| Setting value 500 -20/+25 Vac   | 0.57 A                                    |  |
| Setting range 575 ±25 Vac   | 0.40 - 0.63 A                             |  |
| Setting value 575 ±25 Vac   | 0.50 A                                    |  |
| Order numbers   |   |  |
| Order Number  | USTE 250/2x12                             |  |

| Type                   |                       | USTE 250/2x12   |
|------------------------|-----------------------|---|
| <b>Mechanical data</b> | Terminal and mounting |   |
|                        | Terminals             | Spring terminals, PE 6.3 x 0.8                                  |
|                        | Fixing method         | Dual purpose base plate also for installation on mounting rails |
|                        | Fixing screws         | M5  |
| Measures and weights   |                       |   |
| Weight                 | 3.60 kg               |   |



Subjects to change.

## **X-ON Electronics**

Largest Supplier of Electrical and Electronic Components

*Click to view similar products for [block manufacturer](#):*

Other Similar products are found below :

[PVSB 400/24-20](#) [RKD 120/2X24](#) [AIM5.0/2.5](#) [VB1.5/2/24](#) [STEU160/48](#) [TIM300](#) [AVB1.0/2/12](#) [FL4/18](#) [AVB2.3/2/12](#) [FL10/15](#) [FL6/24](#)  
[FL24/6](#) [STEU320/23](#) [STEU250/48](#) [STEU160/23](#) [LR3 48-3/80](#) [LR3 48-5/16](#) [PC-0148-100-0](#) [PM-0112-040-0](#) [PM-0748-400-0](#) [PT 7.5/2/9](#)  
[USTE100/2X12](#) [FL14/6](#) [FL52/12](#) [GNC24-2.5](#) [DCT24-1.5](#) [VB2.3/2/9](#) [VB 1.5/2/8](#) [SIM100](#) [RKD 100/2X15](#) [LR3 48-5/80](#) [LR3 48-5/90](#) [PM-](#)  
[0112-070-0](#) [PM-0148-020-0](#) [EB-1824-010-0](#) [USTE1000/2X115](#) [FL14/18](#) [FL6/6](#) [VB 0.35/1/15](#) [PC-0324-400-0](#) [STEU250/23](#) [AIM3.2/1.6](#)  
[AVB3.2/2/12](#) [FL10/12](#) [FL14/15](#) [FL8/6](#) [FL8/9](#) [LR3 48-3/90](#) [PC-0112-150-0](#) [EB-2724-100-0](#)