



### WEIGHT

1.29g/cm (.116 oz/in)

### RECOMMENDED TORQUE

17.7 N-cm (25 in-oz)

### MATERIALS AND FINISH

#### HOUSING

##### Material:

.025-in. (.64-mm) thick  
Beryllium Copper per QQ-C-533

##### Finish:

See finish table on opposite page

#### CAM

##### Material:

Beryllium Copper per QQ-C-533

##### Finish:

See finish table on opposite page

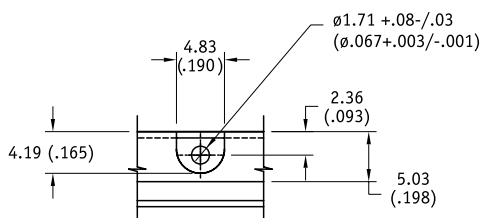
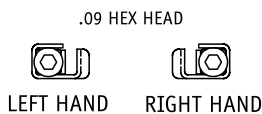
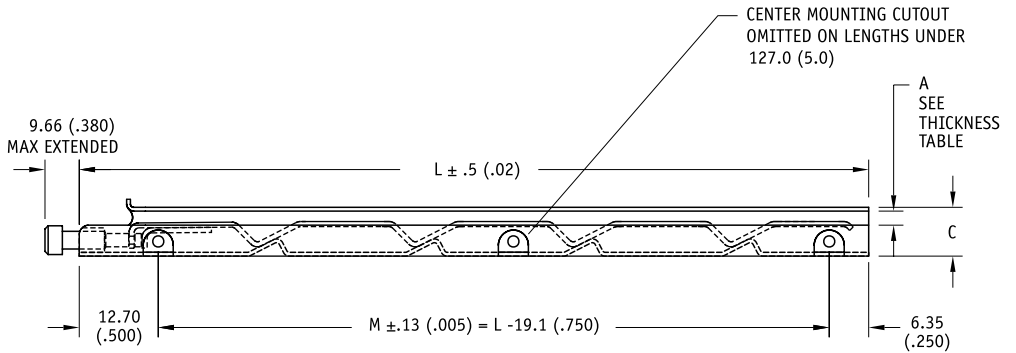
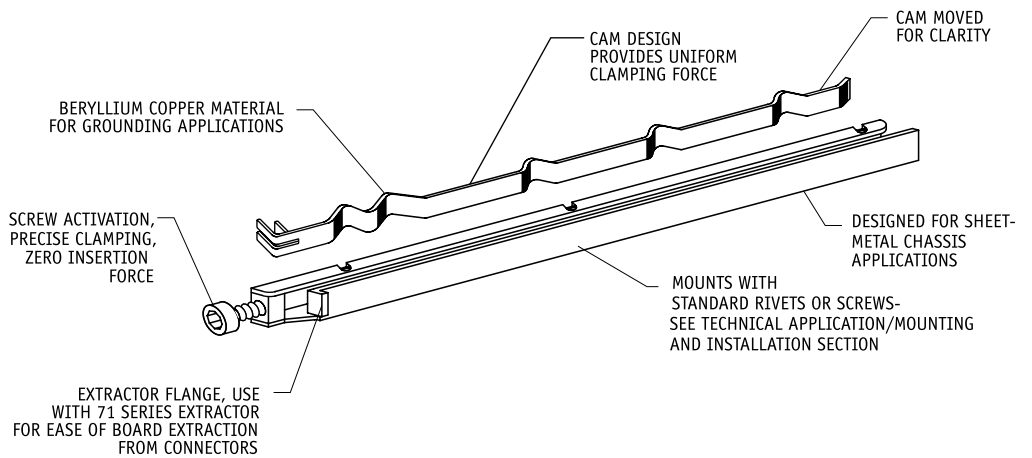
#### SCREW

##### Material:

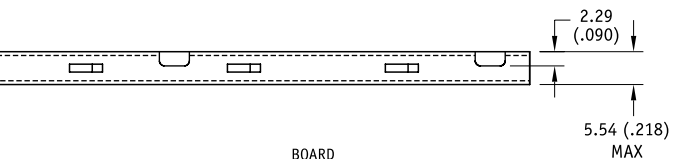
Stainless steel

##### Finish:

Passivated



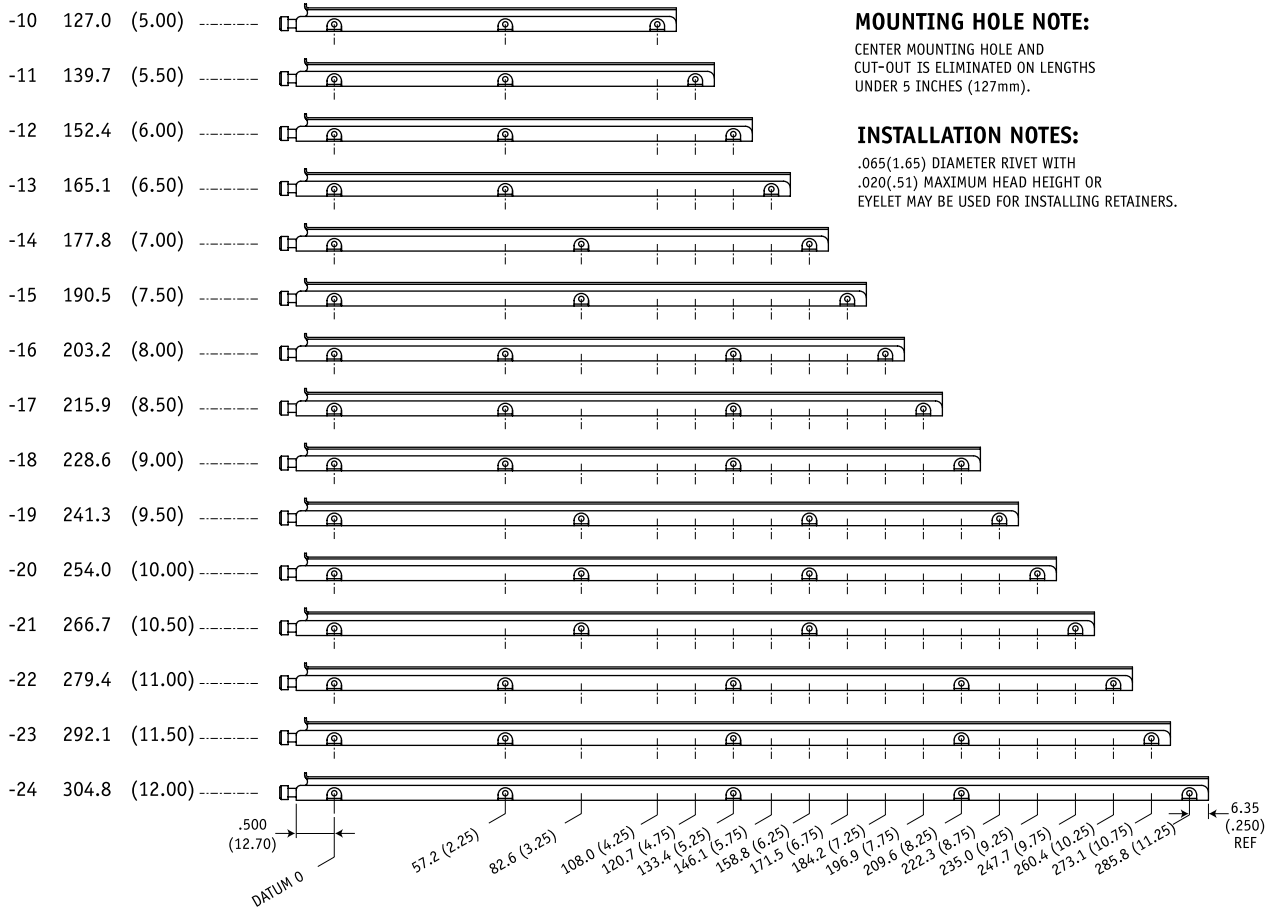
MOUNTING HOLE DETAIL



71 SERIES EXTRACTOR  
OPTIONAL/NOT TO SCALE

Units: mm(in)  
unless specified otherwise,  
.xx = ± .25, .x = ± .5  
(.xxx = ±.010, .xx = ± .02)

## MOUNTING HOLE DIMENSIONS 127 SERIES



### MOUNTING HOLE NOTE:

CENTER MOUNTING HOLE AND CUT-OUT IS ELIMINATED ON LENGTHS UNDER 5 INCHES (127mm).

### INSTALLATION NOTES:

.065(1.65) DIAMETER RIVET WITH .020(.51) MAXIMUM HEAD HEIGHT OR EYELET MAY BE USED FOR INSTALLING RETAINERS.

Note: -6 [76.2 (3.00)] to -9 [114.3 (4.50)], mounting hole dims as per 12.70 (.500) datum and 6.35 (.250) Ref as noted above.

### Part Number Code

Series 127 LOK-TAINER Screw-Actuated **127 - B - 2 - 10 - 5 - L**

#### Material

Beryllium Copper \_\_\_\_\_ **B**  
or select from Materials Table

#### Board Thickness

1.60 (.063) PCB Thickness \_\_\_\_\_ **2**  
or select from Board Thickness Table

#### Length

Length in 12.7 (.50) increments \_\_\_\_\_ **6** [76.2 (3.00)]  
to 24 [304.8 (12.00)]

#### Finish

Gold Plate \_\_\_\_\_ **5**  
or select from Finish Table

#### Screw Action

Left hand \_\_\_\_\_ **L**  
Right hand \_\_\_\_\_ **R**

### Part Number Code example: 127B-4-12-6-R

Series 127 Screw-actuated LOK-TAINER, Beryllium Copper housing with flange, 152.4-mm (6.00-in.) long, Nickel plate finish, and right hand screw action.

### MATERIALS TABLE

Code Letter	Material
<b>B</b>	Beryllium Copper, 1/4H per, ASTM-B-194
<b>S</b>	Steel per, ASTM-A-366

### BOARD THICKNESS TABLE

Dash #	A		C
	Min	Max	
-2	.025 (0.64)	.070 (1.78)	.309 (7.85)
-4	.087 (2.21)	.132 (3.36)	.376 (9.55)

### Dash # FINISH TABLE

<b>NONE</b>	Silver Plate per QQ-S-365, Type III, Grade A
<b>-1</b>	None
<b>-2</b>	Ebanol per MIL-F-495 for Beryllium Copper per MIL-C-13924 for Steel
<b>-4</b>	Copper Plate per MIL-C 14550, Class 2
<b>-5</b>	Gold Plate per MIL-G-45204, Type 1, Class 1
<b>-6</b>	Nickel Plate per QQ-N-290, Class 1, Grade G, Bright
<b>-7</b>	Zinc Plate Clear Chromate, per ASTM-B-633, Fe/Zn 8
<b>-8</b>	Zinc Plate Yellow Chromate, per ASTM-B-633, Fe/Zn 8

NOTE: No finish (-1) not available with "S" Steel material

## **X-ON Electronics**

Largest Supplier of Electrical and Electronic Components

*Click to view similar products for [birtcher](#) manufacturer:*

Other Similar products are found below :

[24SX-3-11-3-R](#) [127B-2-10-3-R](#) [340L-100S-12C](#) [340R-100S-10C](#) [CCK-KIT-ZD](#) [24BX-2-10-3-L](#) [24BX-2-10-3-R](#) [35-1B-2-6-3](#) [40-5-10-LF-LN](#) [71-3-L](#) [340L-100S-08C](#) [40-8-LF](#)