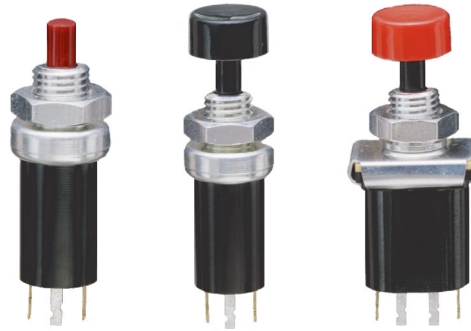


## SERIES 46 SPST and DPDT, 1/4 Amp

### FEATURES

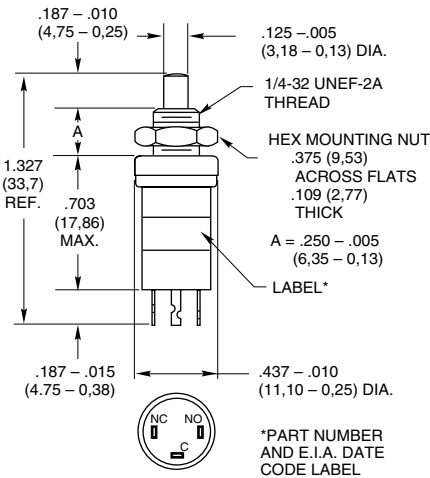
- Long Wipe Contact Assures High Reliability
- 250,000 Cycles of Operation



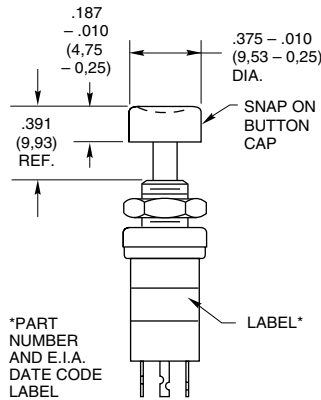
### DIMENSIONS in inches (and millimeters)

#### Single Pole/Double Throw

46-101\* (BBM)  
46-110\* (MBB)

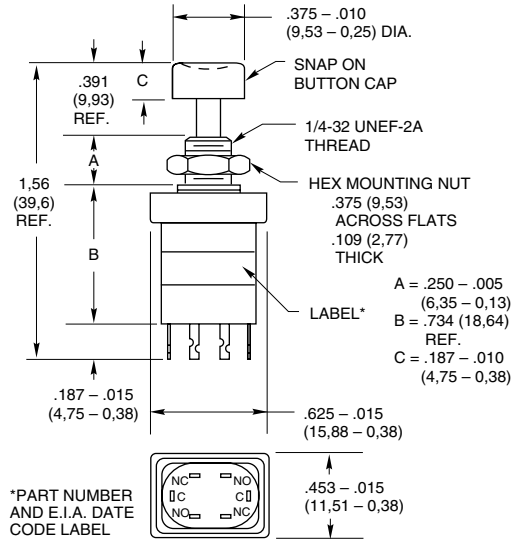


46-102\* (BBM)  
46-111\* (MBB)



#### Double Pole/Double Throw

46-200\* (BBM)  
46-201\* (MBB)



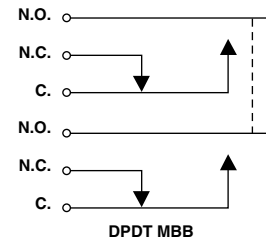
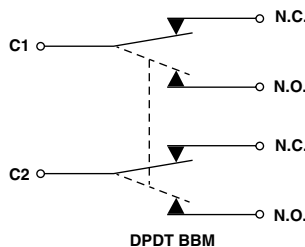
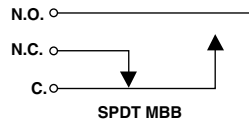
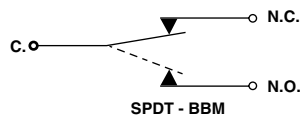
| Rating at 115 Vac Resistive | Rating at 220 Vac Resistive | Operations at Rated Load | *Complete Part Number | Button or Cap Color |
|-----------------------------|-----------------------------|--------------------------|-----------------------|---------------------|
| 1/4 Amp                     | 1/8 Amp                     | 250,000                  | 46-101 RED            | Red                 |
|                             |                             |                          | 46-101 BLK            | Black               |
|                             |                             |                          | 46-102 RED            | Red                 |
|                             |                             |                          | 46-102 BLK            | Black               |
|                             |                             |                          | 46-110 RED            | Red                 |
|                             |                             |                          | 46-110 BLK            | Black               |
| 46-111 RED                  | Red                         |                          |                       |                     |
| 46-111 BLK                  | Black                       |                          |                       |                     |

| Action    | Total Travel     | Bottoming Force (oz.) | Mtg. Hole     |
|-----------|------------------|-----------------------|---------------|
| Momentary | .180 (4,57) Min. | 17 ± 5                | 17/64" (6,75) |

| Rating at 115 Vac Resistive | Rating at 220 Vac Resistive | Operations at Rated Load | *Complete Part Number | Cap Color |
|-----------------------------|-----------------------------|--------------------------|-----------------------|-----------|
| 1/4 Amp                     | 1/8 Amp                     | 250,000                  | 46-200 RED            | Red       |
|                             |                             |                          | 46-200 BLK            | Black     |
|                             |                             |                          | 46-201 RED            | Red       |
|                             |                             |                          | 46-201 BLK            | Black     |

| Action    | Total Travel     | Bottoming Force (oz.) | Mtg. Hole     |
|-----------|------------------|-----------------------|---------------|
| Momentary | .180 (4,57) Min. | 35 ± 9                | 17/64" (6,75) |

### CIRCUITRY



**SERIES 46**  
SPST and DPDT, 1/4 Amp

**FEATURES**

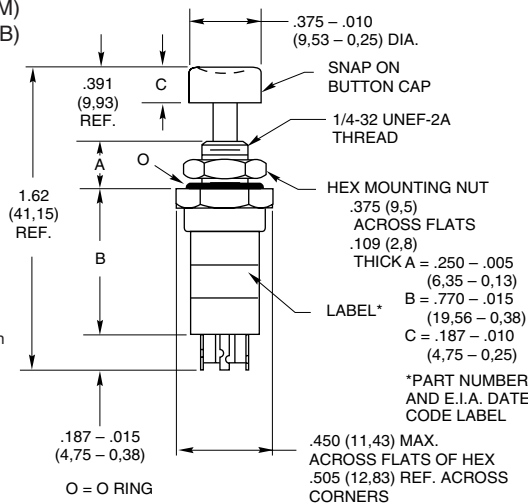
- Bushing and Button Seal
- Environmentally Sealed



**DIMENSIONS** in inches (and millimeters)

**Sealed Bushing and Button Single Pole/Double Throw**

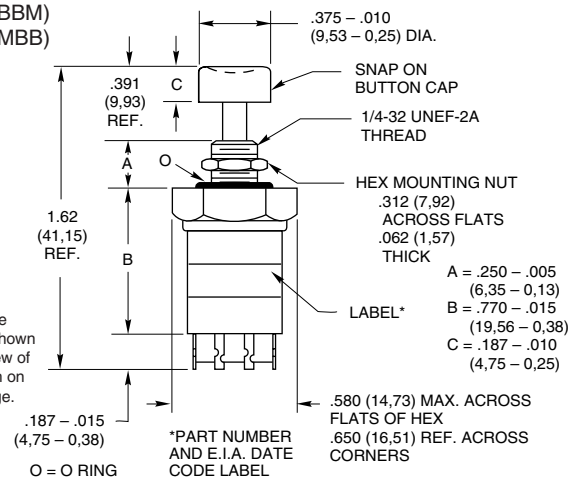
46-150\* (BBM)  
46-151\* (MBB)



Terminals are marked as shown in bottom view of SPDT switch on previous page.

**Sealed Bushing and Button Double Pole/Double Throw**

46-270\* (BBM)  
46-271\* (MBB)



Terminals are marked as shown in bottom view of DPDT switch on previous page.

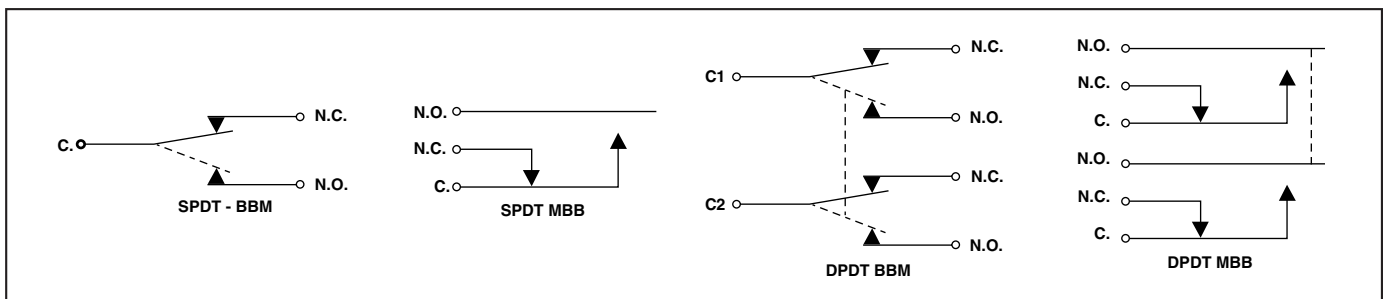
| Rating at 115 Vac Resistive | Rating at 220 Vac Resistive | Operations at Rated Load | *Complete Part Number                                | Cap Color                    |
|-----------------------------|-----------------------------|--------------------------|--|------------------------------|
| 1/4 Amp                     | 1/8 Amp                     | 100,000                  | 46-150 RED<br>46-150 BLK<br>46-151 RED<br>46-151 BLK | Red<br>Black<br>Red<br>Black |

| Action    | Total Travel     | Bottoming Force (oz.) | Mtg. Hole     |
|-----------|------------------|-----------------------|---------------|
| Momentary | .180 (4.57) Min. | 24 ± 4                | 17/64" (6.75) |

| Rating at 115 Vac Resistive | Rating at 220 Vac Resistive | Operations at Rated Load | *Complete Part Number                                | Cap Color                    |
|-----------------------------|-----------------------------|--------------------------|--|------------------------------|
| 1/4 Amp                     | 1/8 Amp                     | 100,000                  | 46-270 RED<br>46-270 BLK<br>46-271 RED<br>46-271 BLK | Red<br>Black<br>Red<br>Black |

| Action    | Total Travel     | Bottoming Force (oz.) | Mtg. Hole     |
|-----------|------------------|-----------------------|---------------|
| Momentary | .180 (4.57) Min. | 48 ± 4                | 17/64" (6.75) |

**CIRCUITRY**



Pushbutton Switches

## DIMENSIONS in inches (and millimeters)

**Environmentally Sealed Double Pole/Double Throw**  
46-260\* (BBM)

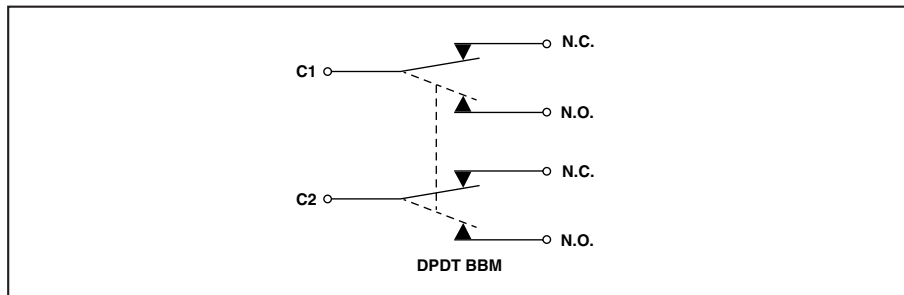
.375 - .010 (9,53 - 0,25) DIA.  
 SNAP ON BUTTON CAP  
 O-RING SEALED  
 3/8-32 UNEF-2A THREAD TO .060 (15,24) MAX. FROM SHOULDER  
 HEX MOUNTING NUT  
 .562 (14,2) ACROSS FLATS  
 .094 (2,40) THICK  
 A = 1.14 (29,0) MAX.  
 B = 22.00 (558,8) MAX.  
 C = .187 - .010 (4,75 - 0,25)  
 D = .125 - .005 (3,18 - 0,13)  
 SWITCH AND WIRE LEADS ENCAPSULATED  
 .390 - .010 (9,90 - 0,25)  
 .281 - .010 (7,14 - 0,25)  
 .250 - .010 (6,35 - 0,25)  
 .641 - .005 (16,28 - 0,13)  
 .812 - .005 (20,62 - 0,13) DIAMETER

| Rating at 115 Vac Resistive | Rating at 220 Vac Resistive | Operations at Rated Load | *Complete Part Number    | Cap Color    |
|-----------------------------|-----------------------------|--------------------------|--------------------------|--------------|
| 1/4 Amp                     | 1/8 Amp                     | 250,000                  | 46-260 RED<br>46-260 BLK | Red<br>Black |

| Action    | Total Travel     | Bottoming Force (oz.) | Mtg. Hole     |
|-----------|------------------|-----------------------|---------------|
| Momentary | .180 (4,57) Min. | Approx. 45            | 25/64" (9,92) |

Pushbutton Switches

## CIRCUITRY



## SPECIFICATIONS

### Rating Criteria

**Contact Resistance:** Less than 25 milliohms at the switch initially. Less than 4 milliohms/inch of wire.

**Voltage Breakdown:** 1,000 Vac between mutually insulated parts

**Insulation Resistance:** 1,000 megohms minimum

### Materials and Finishes

**Cover, Bushing, Mounting Nut:** Brass, tin zinc

**Shorting Bar:** Phosphor bronze, silver-plated.

**Terminals:** Phosphor bronze, silver contact surface. Terminal ends are tin/silver

**Base or Potting Shell:** Phenolic per MIL-M-14, type CFG

**Spring:** Tinned music wire

**Button Cap:** Polyethylene

**Button:** Polyphenylene sulfide (PPS) for 46-200 and 46-201. Polycarbonate for all other unsealed versions. Aluminum for all sealed versions.

**O-Ring Seal:** Nitrile per MIL-P-5516, class B

**Seal Adapter and Hex Nut (46-260):** Brass, zinc trivalent chromate-plated

**Wire Leads (46-260):** Per MIL-W-16878 type E. #26 AWG, insulated teflon, copper stranded wire

### Operating Features

**Break-Before-Make:** Rest position to N.C. break .020" (0,51) minimum. Rest position to N.O. Make .140" (3,35) maximum.

**Make-Before-Break:** Rest position to N.O. make .065" ± .015 (1,65 ± 0,38). Rest position to N.C. break .130" ± .015 (3,30 ± 0,38).

**Operating Temperature:** -40°C to +85°C

## STANDARD OPTIONS

Epoxy sealed terminals and wire leads

Decorative mountings

## ACCESSORY



**Decorative Mounting Nut**  
Part No. 30C1023-1  
Fits .250" (6,35) Bushing

## ORDERING INFORMATION

| Description              | Part No.   |
|--------------------------|------------|
| SPDT, BBM, Red Button    | 46-101 RED |
| SPDT, BBM, Black Button  | 46-101 BLK |
| SPDT, BBM, Red Cap       | 46-102 RED |
| SPDT, BBM, Black Cap     | 46-102 BLK |
| SPDT, MBB, Red Button    | 46-110 RED |
| SPDT, MBB, Black Button  | 46-110 BLK |
| SPDT, MBB, Red Cap       | 46-111 RED |
| SPDT, MBB, Black Cap     | 46-111 BLK |
| SPDT, BBM, Red Cap       | 46-150 RED |
| SPDT, BBM, Black Cap     | 46-150 BLK |
| SPDT, MBB, Red Cap       | 46-151 RED |
| SPDT, MBB, Black Cap     | 46-151 BLK |
| DPDT, BBM, Red Cap       | 46-200 RED |
| DPDT, BBM, Black Cap     | 46-200 BLK |
| DPDT, MBB, Red Cap       | 46-201 RED |
| DPDT, MBB, Black Cap     | 46-201 BLK |
| DPDT, BBM, Red Cap       | 46-270 RED |
| DPDT, BBM, Black Cap     | 46-270 BLK |
| DPDT, MBB, Red Cap       | 46-271 RED |
| DPDT, MBB, Black Cap     | 46-271 BLK |
| DPDT, BBM, Sealed, Red   | 46-260 RED |
| DPDT, BBM, Sealed, Black | 46-260 BLK |
| ACCESSORY                |            |
| Decorative Nut           | 30C1023-1  |

## X-ON Electronics

Largest Supplier of Electrical and Electronic Components

*Click to view similar products for [Pushbutton Switches](#) category:*

*Click to view products by [Glenair](#) manufacturer:*

Other Similar products are found below :

[LW1L-M1C10V-A](#) [LW2L-A1C20M-GD](#) [LW2L-M1C20M-A](#) [60324L](#) [M7E-HRN2](#) [67021K512](#) [67081K512X](#) [701PB580](#) [719-5504-000](#)  
[MDPSSGLFS](#) [810KSV30B](#) [FLT 2U EE 01A](#) [MML21KA3ABK](#) [MML23KA3AC05K-001](#) [MML23KW3AA01W](#) [8418K2](#) [8646AB6X718UL](#)  
[8646ABUL](#) [FSDWH](#) [9001KXRK](#) [9001T8BK](#) [9533CD4+U574+U4922](#) [1203MRA](#) [A22EM01S](#) [A595](#) [1202A6](#) [12037A2ULCSA](#) [1203A2UL](#)  
[ABD122N-B](#) [1211390004](#) [ABN111-Y](#) [ABN400-R](#) [1211500044](#) [1211580012](#) [1212MRA](#) [1232A6NF](#) [RA3CSH6A](#) [1241.1183.7047](#)  
[1241.2511](#) [1241.3428](#) [1223A2ULCSA](#) [1223MRA](#) [1232AX2119](#) [1241.1183.8000](#) [1241.1183.8029](#) [1241.2506](#) [1241.2606](#) [12MA6](#)  
[1301940184](#) [RELBARF6X10\(PLASTIC\)](#)