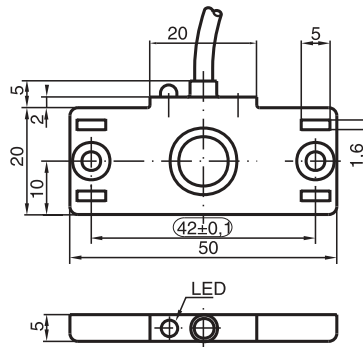
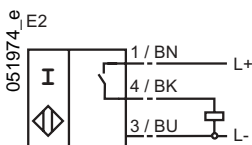


Flat housing
 5 mm not embeddable
 mounting slots for cable
 ties



Switching element function	PNP	Make function
Installation	not embeddable	
Rated operating distance s_n	5 mm	
Assured operating distance s_a	0 ... 3.5 mm	
Operating voltage U_B	10 ... 30 V	
Operating current I_L	0 ... 100 mA	
Switching frequency f	0 ... 10 Hz	
No-load supply current I_0	≤ 15 mA	
Off-state current I_r	≤ 0.5 mA	
Voltage drop U_d	≤ 2 V	
Short circuit protection	pulsing	
Polarity reversal protected	yes	
Indication of the switching state	LED, yellow	
Ambient temperature	-25 ... 70 °C (248 ... 343 K)	
EMC in accordance with	EN 60947-5-2	
Protection degree	IP67	
Connection type	2 m, PVC-cable	
Core cross-section	0.14 mm ²	
Housing material	PBT	
Sensing face	PBT	
Standard conformity	EN 60947-5-2	

Connection



06.11.2001

X-ON Electronics

Largest Supplier of Electrical and Electronic Components

Click to view similar products for [Proximity Sensors](#) category:

Click to view products by [Pepperl & Fuchs](#) manufacturer:

Other Similar products are found below :

[01.001.5653.1](#) [70.340.1028.0](#) [70.360.2428.0](#) [70.364.4828.0](#) [70.810.1053.0](#) [72.360.1628.0](#) [73.363.6428.0](#) [9221350022](#) [980659-1](#) [QT-12](#)
[E2EX10D1NN](#) [E2E-X14MD1-G](#) [E2E-X2D1-G](#) [E2EX2ME2N](#) [E2E-X3D1-N](#) [10M](#) [E2E-X4MD1-G](#) [E2FMX1R5D12M](#) [E2K-F10MC1](#) [5M](#)
[EI1204TBOSL-6](#) [EI5515NPAP](#) [BSA-08-25-08](#) [IC08ANC15PO-K](#) [IMM2582C](#) [25.161.3253.0](#) [25.332.0653.1](#) [25.352.0653.0](#) [25.352.0753.0](#)
[25.523.3253.0](#) [9151710023](#) [922FS1.5C-A4P-Z774](#) [SC606ABV0S30](#) [SM952A126100LE](#) [A1220EUA-T](#) [F3S-A162-U](#) [CL18](#) [QT-08L](#)
[34.110.0010.0](#) [TL-C2MF1-M3-E4](#) [IA08BLF15NOM5](#) [IA08BSF15NOM5](#) [IA12ASF04DOM1](#) [IMM32188C](#) [IS2](#) [IS31SE5000-UTLS2-TR](#)
[34.110.0021.0](#) [34.110.0022.0](#) [CA150-120VACDC](#) [VM18VA3000Q](#) [XS508BSCBL2](#) [XS512BLNAM12](#)