

LY62W25616

Rev. 1.4

256K X 16 BIT LOW POWER CMOS SRAM

REVISION HISTORY

<u>Revision</u>	<u>Description</u>	<u>Issue Date</u>
Rev. 1.0	Initial Issue	Mar.21.2008
Rev. 1.1	Revised <u>FEATURES & ORDERING INFORMATION</u> <u>Lead free and green package available to Green package available</u> Added packing type in <u>ORDERING INFORMATION</u> Deleted T _{SOLDER} in <u>ABSOLUTE MAXIMUM RATINGS</u> Revised <u>PACKAGE OUTLINE DIMENSION</u> in page 10 Revised V _{IH} to 0.7*V _{CC} Revised V _{DR} to 1.5V	May.7.2010
Rev. 1.2	Revised <u>ORDERING INFORMATION</u> in page 11	Aug.25.2010
Rev. 1.3	Added SL Grade Deleted E Grade Revised I _{SB1} /I _{DR}	Aug.9.2011
Rev. 1.4	Revised "Standby Power Supply Current" in page 3 Revised "Data Retention Current" in page 8	April.30.2012

LY62W25616

Rev. 1.4

256K X 16 BIT LOW POWER CMOS SRAM

FEATURES

- Fast access time : 55/70ns
- Low power consumption:
 Operating current : 30/20mA (TYP.)
 Standby current : 4 μ A (TYP.) LL-version
 3 μ A (TYP.) SL-version
- Single 2.7V ~ 5.5V power supply
- All outputs TTL compatible
- Fully static operation
- Tri-state output
- Data byte control : LB# (DQ0 ~ DQ7)
 UB# (DQ8 ~ DQ15)
- Data retention voltage : 1.5V (MIN.)
- **Green package available**
- Package : 44-pin 400 mil TSOP-II
 48-ball 6mm x 8mm TFBGA

PRODUCT FAMILY

GENERAL DESCRIPTION

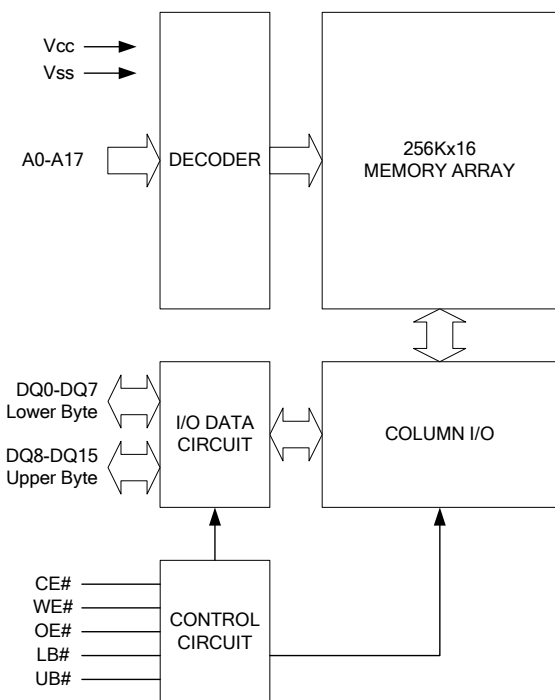
The LY62W25616 is a 4,194,304-bit low power CMOS static random access memory organized as 262,144 words by 16 bits. It is fabricated using very high performance, high reliability CMOS technology. Its standby current is stable within the range of operating temperature.

The LY62W25616 is well designed for low power application, and particularly well suited for battery back-up nonvolatile memory application.

The LY62W25616 operates from a single power supply of 2.7V ~ 5.5V and all inputs and outputs are fully TTL compatible

Product Family	Operating Temperature	Vcc Range	Speed	Power Dissipation	
				Standby(Isb1,TYP.)	Operating(Icc,TYP.)
LY62W25616	0 ~ 70°C	2.7 ~ 5.5V	55/70ns	4 μ A(LL)/3 μ A(SL)	30/20mA
LY62W25616(I)	-40 ~ 85°C	2.7 ~ 5.5V	55/70ns	4 μ A(LL)/3 μ A(SL)	30/20mA

FUNCTIONAL BLOCK DIAGRAM



PIN DESCRIPTION

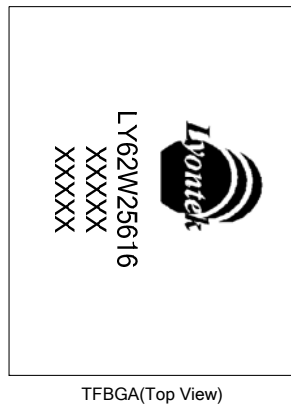
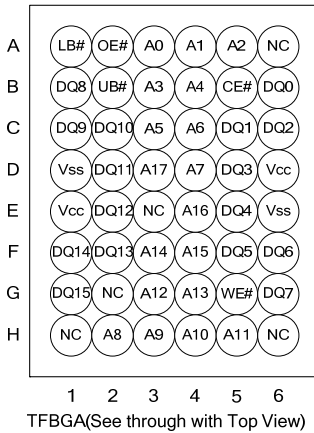
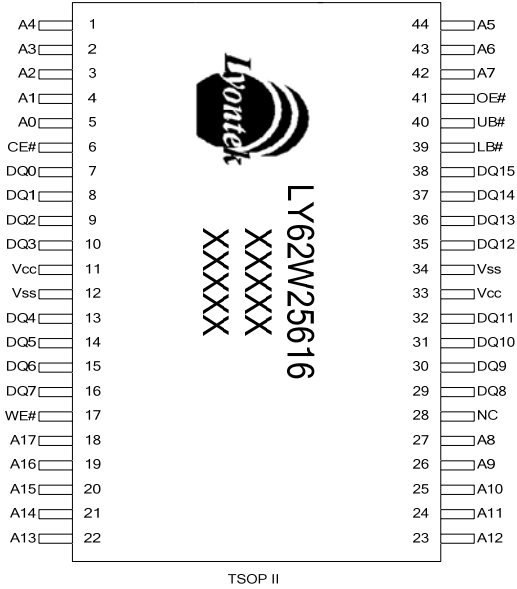
SYMBOL	DESCRIPTION
A0 - A17	Address Inputs
DQ0 - DQ15	Data Inputs/Outputs
CE#	Chip Enable Input
WE#	Write Enable Input
OE#	Output Enable Input
LB#	Lower Byte Control
UB#	Upper Byte Control
Vcc	Power Supply
Vss	Ground

LY62W25616

Rev. 1.4

256K X 16 BIT LOW POWER CMOS SRAM

PIN CONFIGURATION



ABSOLUTE MAXIMUM RATINGS*

PARAMETER	SYMBOL	RATING	UNIT
Voltage on Vcc relative to Vss	V _{T1}	-0.5 to 6.5	V
Voltage on any other pin relative to Vss	V _{T2}	-0.5 to V _{CC} +0.5	V
Operating Temperature	T _A	0 to 70(C grade)	°C
		-40 to 85(I grade)	
Storage Temperature	T _{STG}	-65 to 150	°C
Power Dissipation	P _D	1	W
DC Output Current	I _{OUT}	50	mA

*Stresses greater than those listed under "Absolute Maximum Ratings" may cause permanent damage to the device. This is a stress rating only and functional operation of the device or any other conditions above those indicated in the operational sections of this specification is not implied. Exposure to the absolute maximum rating conditions for extended period may affect device reliability.

LY62W25616

Rev. 1.4

256K X 16 BIT LOW POWER CMOS SRAM

TRUTH TABLE

MODE	CE#	OE#	WE#	LB#	UB#	I/O OPERATION		SUPPLY CURRENT
						DQ0-DQ7	DQ8-DQ15	
Standby	H	X	X	X	X	High – Z	High – Z	I _{SB1}
	X	X	X	H	H	High – Z	High – Z	
Output Disable	L	H	H	L	X	High – Z	High – Z	I _{cc} , I _{cc1}
	L	H	H	X	L	High – Z	High – Z	
Read	L	L	H	L	H	D _{OUT}	High – Z	I _{cc} , I _{cc1}
	L	L	H	H	L	High – Z	D _{OUT}	
	L	L	H	L	L	D _{OUT}	D _{OUT}	
Write	L	X	L	L	H	D _{IN}	High – Z	I _{cc} , I _{cc1}
	L	X	L	H	L	High – Z	D _{IN}	
	L	X	L	L	L	D _{IN}	D _{IN}	

 Note: H = V_{IH}, L = V_{IL}, X = Don't care.

DC ELECTRICAL CHARACTERISTICS

PARAMETER	SYMBOL	TEST CONDITION	MIN.	TYP. ⁴	MAX.	UNIT		
Supply Voltage	V _{CC}		2.7	3.0	5.5	V		
Input High Voltage	V _{IH} ¹		0.7*V _{CC}	-	V _{CC} +0.3	V		
Input Low Voltage	V _{IL} ²		- 0.2	-	0.6	V		
Input Leakage Current	I _{LI}	V _{CC} ≥ V _{IN} ≥ V _{SS}	- 1	-	1	μA		
Output Leakage Current	I _{LO}	V _{CC} ≥ V _{OUT} ≥ V _{SS} , Output Disabled	- 1	-	1	μA		
Output High Voltage	V _{OH}	I _{OH} = -1mA	2.4	2.7	-	V		
Output Low Voltage	V _{OL}	I _{OL} = 2mA	-	-	0.4	V		
Average Operating Power supply Current	I _{CC}	Cycle time = Min. CE# = V _{IL} , I _{I/O} = 0mA Other pins at V _{IL} or V _{IH}	- 55	-	30	60	mA	
			- 70	-	20	50	mA	
	I _{CC1}	Cycle time = 1μs CE# = 0.2V, I _{I/O} = 0mA Other pins at 0.2V or V _{CC} - 0.2V	-	4	10	mA		
Standby Power Supply Current	I _{SB1}	CE# ≥ V _{CC} - 0.2V Others at 0.2V or V _{CC} - 0.2V	LL/LLI	-	4	50	μA	
			SL ^{*5}	25°C	-	3	10	μA
			SLI ^{*5}	40°C	-	3	10	μA
			SL/SLI	-	3	25	μA	

Notes:

- V_{IH}(max) = V_{CC} + 3.0V for pulse width less than 10ns.
- V_{IL}(min) = V_{SS} - 3.0V for pulse width less than 10ns.
- Over/Undershoot specifications are characterized, not 100% tested.
- Typical values are included for reference only and are not guaranteed or tested.
Typical values are measured at V_{CC} = V_{CC}(TYP.) and T_A = 25°C
- This parameter is measured at V_{CC} = 3.0V

LY62W25616

Rev. 1.4

256K X 16 BIT LOW POWER CMOS SRAM

CAPACITANCE (T_A = 25°C, f = 1.0MHz)

PARAMETER	SYMBOL	MIN.	MAX	UNIT
Input Capacitance	C _{IN}	-	6	pF
Input/Output Capacitance	C _{I/O}	-	8	pF

Note : These parameters are guaranteed by device characterization, but not production tested.

AC TEST CONDITIONS

Input Pulse Levels	0.2V to V _{CC} - 0.2V
Input Rise and Fall Times	3ns
Input and Output Timing Reference Levels	1.5V
Output Load	C _L = 30pF + 1TTL, I _{OH} /I _{OL} = -1mA/2mA

AC ELECTRICAL CHARACTERISTICS

(1) READ CYCLE

PARAMETER	SYM.	LY62W25616-55		LY62W25616-70		UNIT
		MIN.	MAX.	MIN.	MAX.	
Read Cycle Time	t _{RC}	55	-	70	-	ns
Address Access Time	t _{AA}	-	55	-	70	ns
Chip Enable Access Time	t _{ACE}	-	55	-	70	ns
Output Enable Access Time	t _{OE}	-	30	-	35	ns
Chip Enable to Output in Low-Z	t _{CLZ} *	10	-	10	-	ns
Output Enable to Output in Low-Z	t _{OLZ} *	5	-	5	-	ns
Chip Disable to Output in High-Z	t _{CHZ} *	-	20	-	25	ns
Output Disable to Output in High-Z	t _{OHZ} *	-	20	-	25	ns
Output Hold from Address Change	t _{OH}	10	-	10	-	ns
LB#, UB# Access Time	t _{BA}	-	55	-	70	ns
LB#, UB# to High-Z Output	t _{BHZ} *	-	25	-	30	ns
LB#, UB# to Low-Z Output	t _{BLZ} *	10	-	10	-	ns

(2) WRITE CYCLE

PARAMETER	SYM.	LY62W25616-55		LY62W25616-70		UNIT
		MIN.	MAX.	MIN.	MAX.	
Write Cycle Time	t _{WC}	55	-	70	-	ns
Address Valid to End of Write	t _{AW}	50	-	60	-	ns
Chip Enable to End of Write	t _{CW}	50	-	60	-	ns
Address Set-up Time	t _{AS}	0	-	0	-	ns
Write Pulse Width	t _{WP}	45	-	55	-	ns
Write Recovery Time	t _{WR}	0	-	0	-	ns
Data to Write Time Overlap	t _{DW}	25	-	30	-	ns
Data Hold from End of Write Time	t _{DH}	0	-	0	-	ns
Output Active from End of Write	t _{OW} *	5	-	5	-	ns
Write to Output in High-Z	t _{WHZ} *	-	20	-	25	ns
LB#, UB# Valid to End of Write	t _{BW}	45	-	60	-	ns

*These parameters are guaranteed by device characterization, but not production tested.

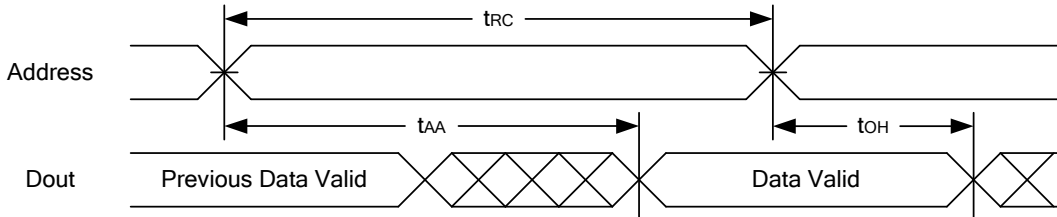
LY62W25616

Rev. 1.4

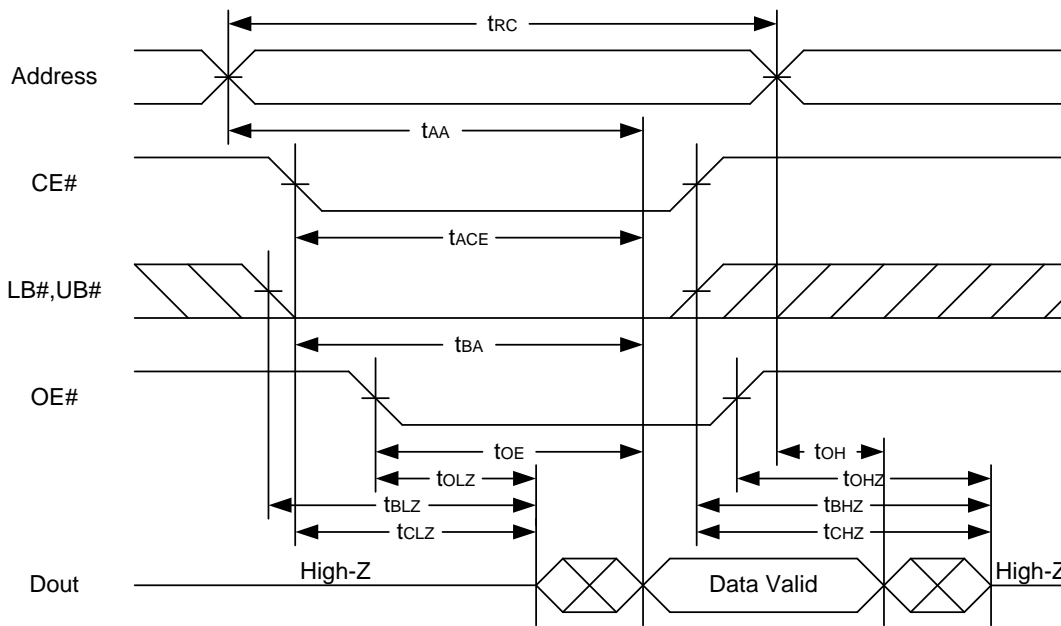
256K X 16 BIT LOW POWER CMOS SRAM

TIMING WAVEFORMS

READ CYCLE 1 (Address Controlled) (1,2)



READ CYCLE 2 (CE# and OE# Controlled) (1,3,4,5)



Notes :

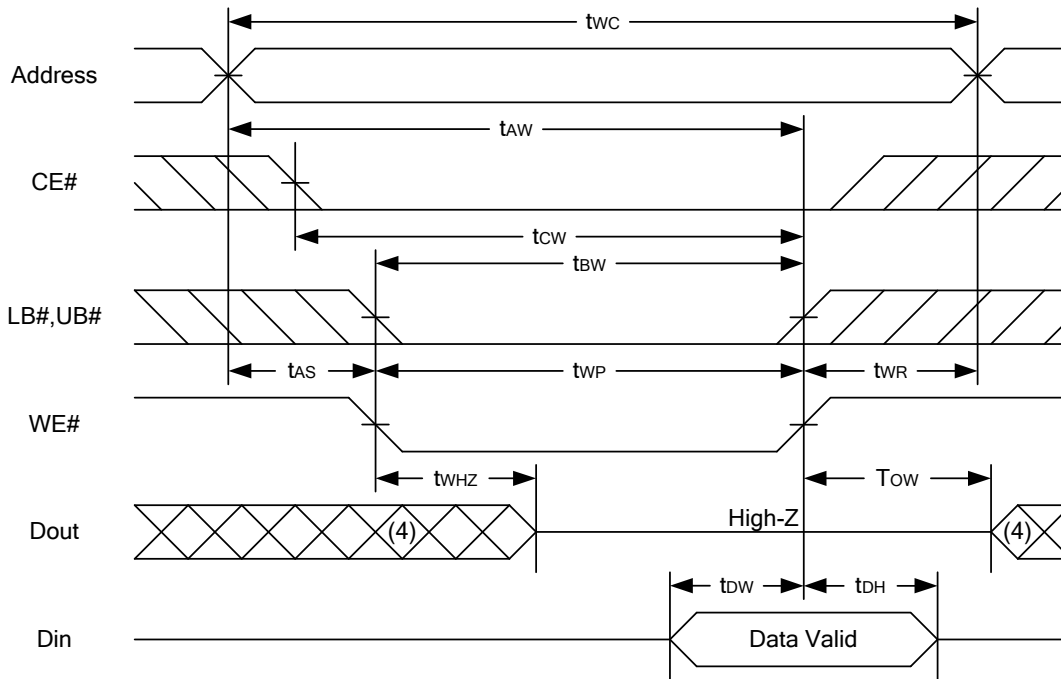
1. WE# is high for read cycle.
2. Device is continuously selected OE# = low, CE# = low, LB# or UB# = low.
3. Address must be valid prior to or coincident with CE# = low, LB# or UB# = low transition; otherwise tAA is the limiting parameter.
4. tCLZ, tBLZ, tOLZ, tCHZ, tBHZ and tOHZ are specified with CL = 5pF. Transition is measured ±500mV from steady state.
5. At any given temperature and voltage condition, tCHZ is less than tCLZ, tBHZ is less than tBLZ, tOHZ is less than tOLZ.

LY62W25616

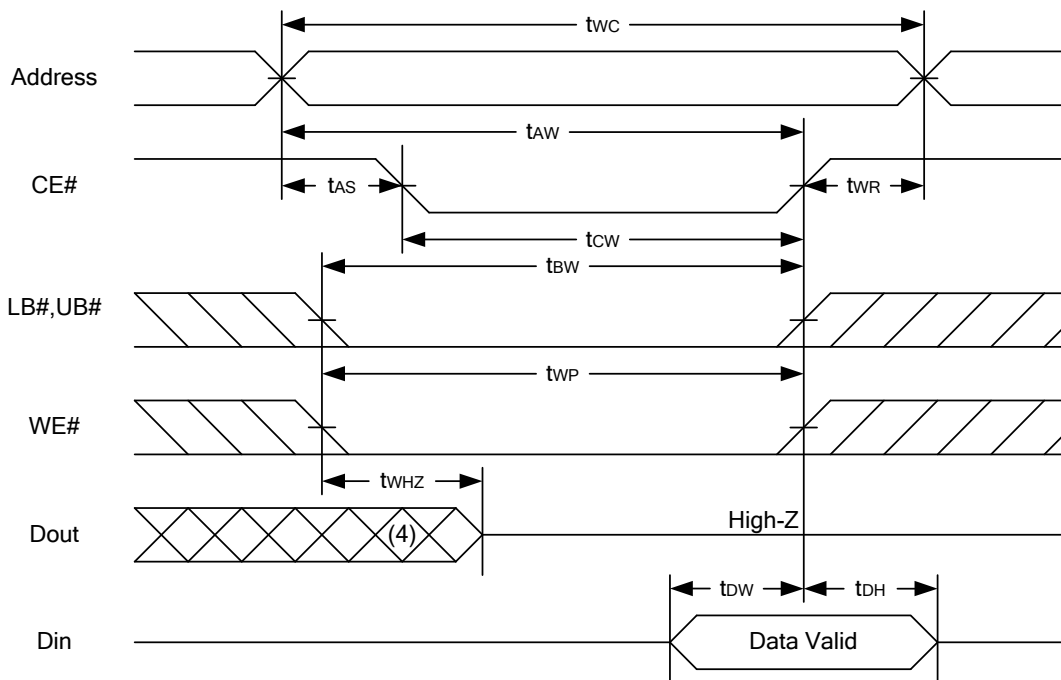
Rev. 1.4

256K X 16 BIT LOW POWER CMOS SRAM

WRITE CYCLE 1 (WE# Controlled) (1,2,3,5,6)



WRITE CYCLE 2 (CE# Controlled) (1,2,5,6)



LY62W25616

Rev. 1.4

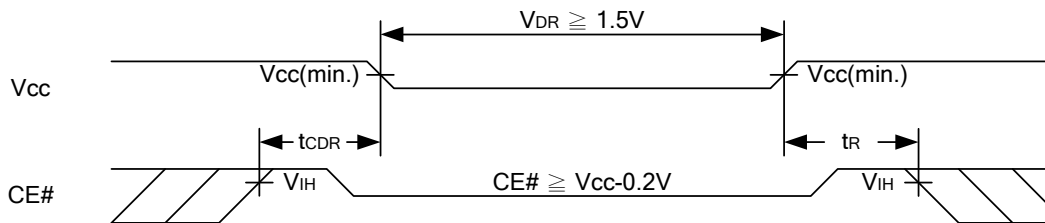
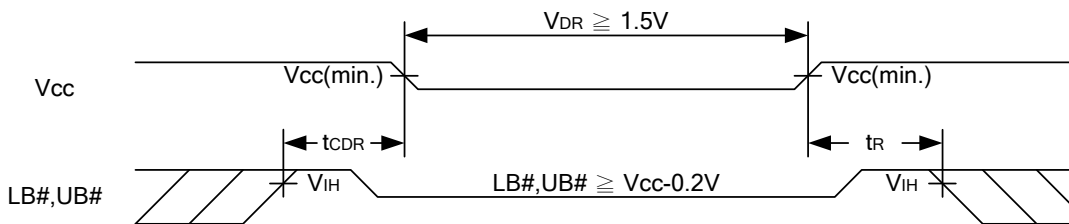
256K X 16 BIT LOW POWER CMOS SRAM

DATA RETENTION CHARACTERISTICS

PARAMETER	SYMBOL	TEST CONDITION	MIN.	TYP.	MAX.	UNIT	
V _{CC} for Data Retention	V _{DR}	CE# ≥ V _{CC} - 0.2V	1.5	-	5.5	V	
Data Retention Current	I _{DR}	V _{CC} = 1.5V CE# ≥ V _{CC} - 0.2V Others at 0.2V or V _{CC} -0.2V	LL/LLI	-	2	30	μA
			SL 25°C	-	2	8	μA
			SLI 40°C	-	2	8	μA
			SL/SLI	-	2	23	μA
Chip Disable to Data Retention Time	t _{CDR}	See Data Retention Waveforms (below)	0	-	-	ns	
Recovery Time	t _R		t _{RC} *	-	-	ns	

 t_{RC}* = Read Cycle Time

DATA RETENTION WAVEFORM

Low V_{CC} Data Retention Waveform (1) (CE# controlled)

Low V_{CC} Data Retention Waveform (2) (LB#, UB# controlled)


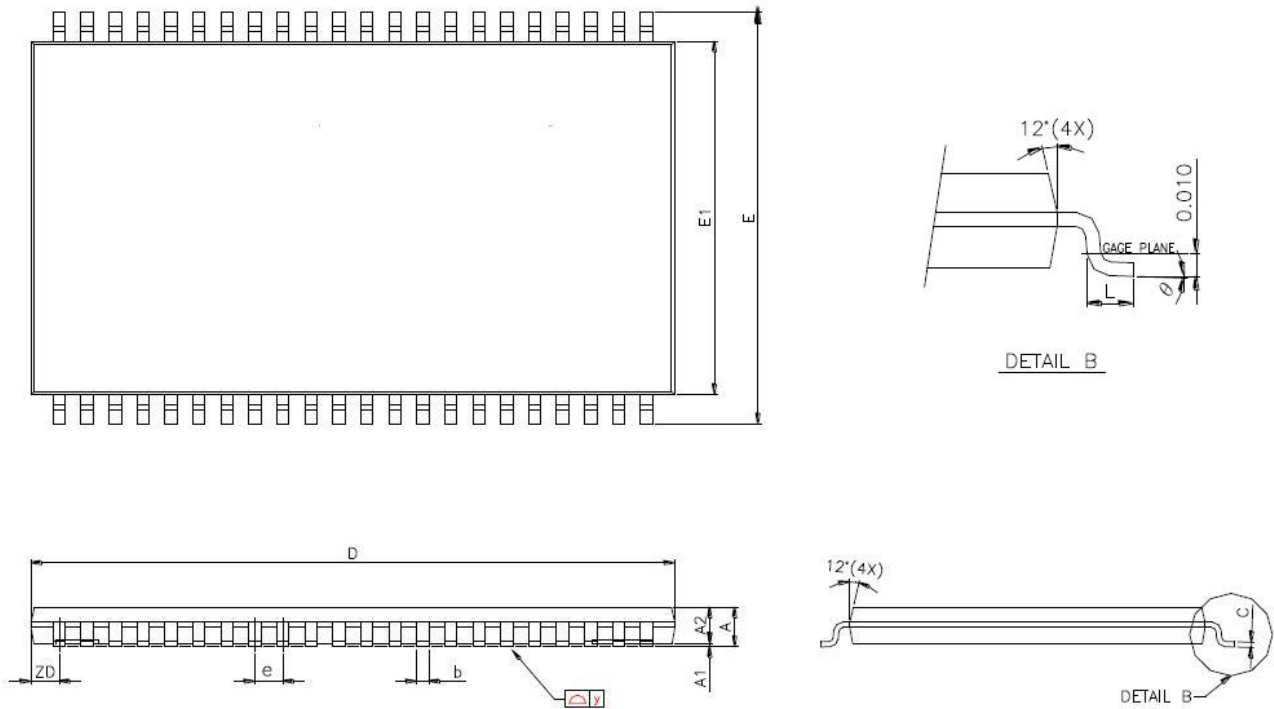
LY62W25616

Rev. 1.4

256K X 16 BIT LOW POWER CMOS SRAM

PACKAGE OUTLINE DIMENSION

44-pin 400mil TSOP-II Package Outline Dimension



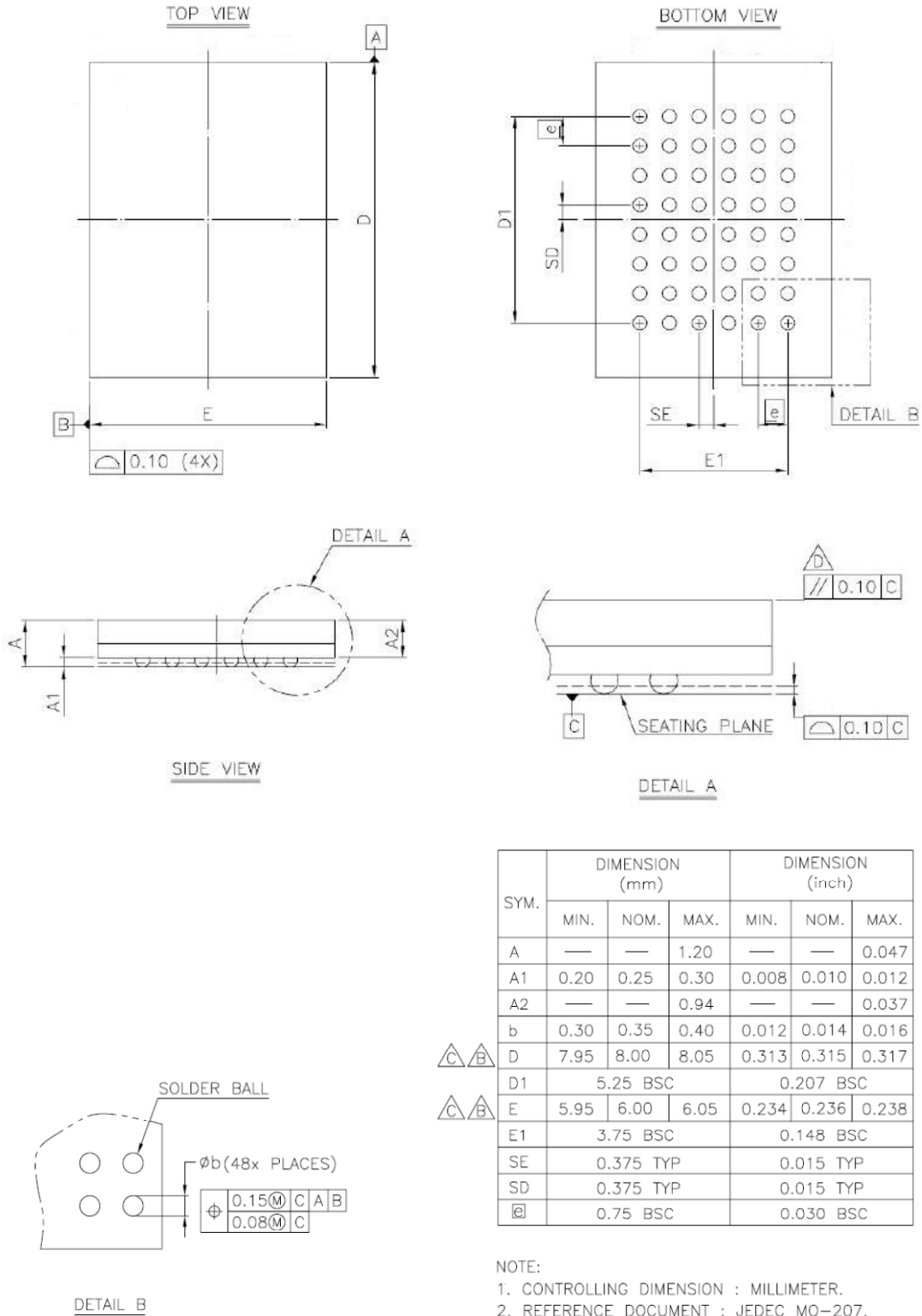
SYMBOLS	DIMENSIONS IN MILLMETERS			DIMENSIONS IN MILS		
	MIN.	NOM.	MAX.	MIN.	NOM.	MAX.
A	-	-	1.20	-	-	47.2
A1	0.05	0.10	0.15	2.0	3.9	5.9
A2	0.95	1.00	1.05	37.4	39.4	41.3
b	0.30	-	0.45	11.8	-	17.7
c	0.12	-	0.21	4.7	-	8.3
D	18.212	18.415	18.618	717	725	733
E	11.506	11.760	12.014	453	463	473
E1	9.957	10.160	10.363	392	400	408
e	-	0.800	-	-	31.5	-
L	0.40	0.50	0.60	15.7	19.7	23.6
ZD	-	0.805	-	-	31.7	-
y	-	-	0.076	-	-	3
θ	0°	3°	6°	0°	3°	6°

LY62W25616

Rev. 1.4

256K X 16 BIT LOW POWER CMOS SRAM

48-ball 6mm x 8mm TFBGA Package Outline Dimension





LY62W25616

Rev. 1.4

256K X 16 BIT LOW POWER CMOS SRAM

ORDERING INFORMATION

LY62W25616 U V - WW XX Y Z

Z : Packing Type

Blank : Tube or Tray
Tray : 44-pin 400 mil TSOP-II
48-ball 6 mm x 8 mm TFBGA
T : Tape Reel

Y : Temperature Range

Blank : (Commercial) 0°C ~ 70°C
I : (Industrial) -40°C ~ +85°C

XX : Power Type

LL : Ultra Low Power
SL : Special Ultra Low Power

WW : Access Time(Speed)

V : Lead Information

L : Green Package

U : Package Type

M : 44-pin 400 mil TSOP-II
G : 48-ball 6 mm x 8 mm TFBGA



LY62W25616

Rev. 1.4

256K X 16 BIT LOW POWER CMOS SRAM

THIS PAGE IS LEFT BLANK INTENTIONALLY.

X-ON Electronics

Largest Supplier of Electrical and Electronic Components

Click to view similar products for [lyontek](#) manufacturer:

Other Similar products are found below :

[LY621024LL-70LLI](#) [LY61L20508AML-10I](#) [LY61L102416ALL-10I](#) [LY62L5128SL-55LLI](#) [LY6264PL-70LL](#) [LY62L2568LL-55LLI](#)
[LY62256RL-70LLI](#) [LY625128SL-55LLI](#) [LY61L102416AGL-10I](#) [LY68S3200SLT](#) [LY62W1024RL-55SLI](#) [LY8326A](#) [LY62W102516LL-55LLI](#) [LY62L51216ML-55SLI](#) [LY621024SL-70LLI](#) [LY61L5128AML-10I](#) [LY6264SL-70LLI](#) [LY62L2568RL-55LLI](#) [LY62W10248ML-55LLI](#) [LY62L204916AGL-55SLI](#) [LY61L20508AGL-10I](#) [LY8361F](#) [LY62L12816ML-70LLI](#) [LY62256SL-70LLI](#) [LY62W51216ML-55LLI](#)
[LY8212SLT](#) [LY62256SL-70LL](#) [LY8209UT](#) [LY8006ULT](#) [LY68L6400SLIT](#)