



REVISION HISTORY

<u>Revision</u>	<u>Description</u>	<u>Issue Date</u>
Rev. 0.1	Initial Issue	Feb.20.2008
Rev. 0.2	Added SL Spec.	Jul.2.2008
Rev. 0.3	Added I_{SB1}/I_{DR} values when $T_A = 25^\circ\text{C}$ and $T_A = 40^\circ\text{C}$ Revised FEATURES & ORDERING INFORMATION Lead free and green package available to Green package available	Mar.30.2009
Rev. 0.4	Added packing type in ORDERING INFORMATION Deleted T_{SOLDER} in ABSOLUTE MAXIMUM RATINGS	May.7.2010
Rev. 1.0	Revised PACKAGE OUTLINE DIMENSION in page 10 Revised Notes item 1 and 2 in page 3 1. $V_{IH(max)} = V_{CC} + 2.0V$ for pulse width less than 6ns. 2. $V_{IL(min)} = V_{SS} - 2.0V$ for pulse width less than 6ns. Revised ORDERING INFORMATION	Aug.29.2013

FEATURES

- Fast access time : 55/70ns
- Low power consumption:
 Operating current : 45/30mA (TYP.)
 Standby current : 10 μ A (TYP.) LL-version
 4 μ A (TYP.) SL-version
- Single 2.7V ~ 3.6V power supply
- All inputs and outputs TTL compatible
- Fully static operation
- Tri-state output
- Data byte control : LB# (DQ0 ~ DQ7)
 UB# (DQ8 ~ DQ15)
- Data retention voltage : 1.2V (MIN.)
- **Green package available**
- Package : 48-pin 12mm x 20mm TSOP-I
 48-ball 6mm x 8mm TFBGA

PRODUCT FAMILY

GENERAL DESCRIPTION

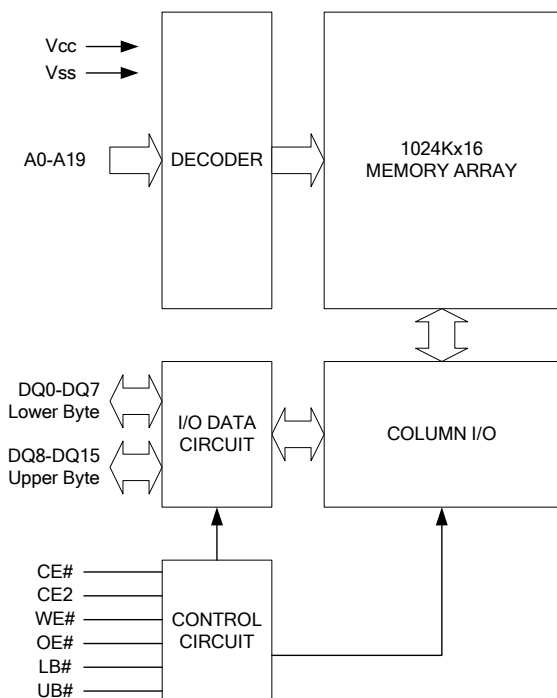
The LY62L102516 is a 16,777,216-bit low power CMOS static random access memory organized as 1,048,576 words by 16 bits. It is fabricated using very high performance, high reliability CMOS technology. Its standby current is stable within the range of operating temperature.

The LY62L102516 is well designed for low power application, and particularly well suited for battery back-up nonvolatile memory application.

The LY62L102516 operates from a single power supply of 2.7V ~ 3.6V and all inputs and outputs are fully TTL compatible

Product Family	Operating Temperature	Vcc Range	Speed	Power Dissipation	
				Standby(I _{SB1} , TYP.)	Operating(I _{CC} , TYP.)
LY62L102516	0 ~ 70°C	2.7 ~ 3.6V	55/70ns	10 μ A(LL)/4 μ A(SL)	45/30mA
LY62L102516(E)	-20 ~ 80°C	2.7 ~ 3.6V	55/70ns	10 μ A(LL)/4 μ A(SL)	45/30mA
LY62L102516(I)	-40 ~ 85°C	2.7 ~ 3.6V	55/70ns	10 μ A(LL)/4 μ A(SL)	45/30mA

FUNCTIONAL BLOCK DIAGRAM



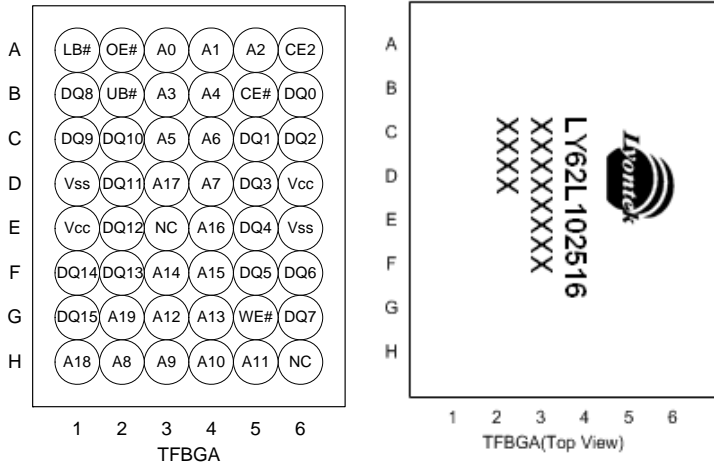
PIN DESCRIPTION

SYMBOL	DESCRIPTION
A0 - A19	Address Inputs
DQ0 – DQ15	Data Inputs/Outputs
CE#, CE2	Chip Enable Input
WE#	Write Enable Input
OE#	Output Enable Input
LB#	Lower Byte Control
UB#	Upper Byte Control
Vcc	Power Supply
Vss	Ground

PIN CONFIGURATION



TSOP-I



TFBGA(Top View)

ABSOLUTE MAXIMUM RATINGS*

PARAMETER	SYMBOL	RATING	UNIT
Voltage on Vcc relative to Vss	V _{T1}	-0.5 to 4.6	V
Voltage on any other pin relative to Vss	V _{T2}	-0.5 to Vcc+0.5	V
Operating Temperature	T _A	0 to 70(C grade)	°C
		-20 to 80(E grade)	
		-40 to 85(I grade)	
Storage Temperature	T _{STG}	-65 to 150	°C
Power Dissipation	P _D	1	W
DC Output Current	I _{OUT}	50	mA

*Stresses greater than those listed under "Absolute Maximum Ratings" may cause permanent damage to the device. This is a stress rating only and functional operation of the device or any other conditions above those indicated in the operational sections of this specification is not implied. Exposure to the absolute maximum rating conditions for extended period may affect device reliability.



TRUTH TABLE

MODE	CE#	CE2	OE#	WE#	LB#	UB#	I/O OPERATION		SUPPLY CURRENT
							DQ0-DQ7	DQ8-DQ15	
Standby	H	X	X	X	X	X	High - Z	High - Z	I _{SB} , I _{SB1}
	X	L	X	X	X	X	High - Z	High - Z	
	X	X	X	X	H	H	High - Z	High - Z	
Output Disable	L	H	H	H	L	X	High - Z	High - Z	I _{CC} , I _{CC1}
	L	H	H	H	X	L	High - Z	High - Z	
Read	L	H	L	H	L	H	D _{OUT}	High - Z	I _{CC} , I _{CC1}
	L	H	L	H	H	L	High - Z	D _{OUT}	
	L	H	L	H	L	L	D _{OUT}	D _{OUT}	
Write	L	H	X	L	L	H	D _{IN}	High - Z	I _{CC} , I _{CC1}
	L	H	X	L	H	L	High - Z	D _{IN}	
	L	H	X	L	L	L	D _{IN}	D _{IN}	

Note: H = V_{IH}, L = V_{IL}, X = Don't care.

DC ELECTRICAL CHARACTERISTICS

PARAMETER	SYMBOL	TEST CONDITION	MIN.	TYP. ⁴	MAX.	UNIT		
Supply Voltage	V _{CC}		2.7	3.0	3.6	V		
Input High Voltage	V _{IH} ¹		2.2	-	V _{CC} +0.3	V		
Input Low Voltage	V _{IL} ²		-0.2	-	0.6	V		
Input Leakage Current	I _{LI}	V _{CC} ≥ V _{IN} ≥ V _{SS}	-1	-	1	μA		
Output Leakage Current	I _{LO}	V _{CC} ≥ V _{OUT} ≥ V _{SS} , Output Disabled	-1	-	1	μA		
Output High Voltage	V _{OH}	I _{OH} = -1mA	2.2	2.7	-	V		
Output Low Voltage	V _{OL}	I _{OL} = 2mA	-	-	0.4	V		
Average Operating Power supply Current	I _{CC}	Cycle time = Min. CE# = V _{IL} and CE2 = V _{IH} I _{I/O} = 0mA Other pins at V _{IL} or V _{IH}	-55	-	45	60	mA	
			-70	-	30	45	mA	
	I _{CC1}	Cycle time = 1μs CE# ≤ 0.2V and CE2 ≥ V _{CC} -0.2V I _{I/O} = 0mA other pins at 0.2V or V _{CC} -0.2V	-	8	16	mA		
Standby Power Supply Current	I _{SB}	CE# = V _{IH} or CE2 = V _{IL} Other pins at V _{IL} or V _{IH}	-	0.3	2	mA		
			I _{SB1}	CE# ≥ V _{CC} -0.2V or CE2 ≤ 0.2V Other pins at 0.2V or V _{CC} -0.2V	LL	-	10	60
	LLE	-			10	80	μA	
	LLI	-			10	100	μA	
	SL ^{*5}	25°C			-	4	6	μA
	SLE ^{*5}	40°C			-	4	6	μA
	SLI ^{*5}				-	4	6	μA
	SL	-			4	30	μA	
	SLE	-	4	30	μA			
SLI	-	4	40	μA				

Notes:

- V_{IH}(max) = V_{CC} + 2.0V for pulse width less than 6ns.
- V_{IL}(min) = V_{SS} - 2.0V for pulse width less than 6ns.
- Over/Undershoot specifications are characterized, not 100% tested.
- Typical values are included for reference only and are not guaranteed or tested.

Typical values are measured at $V_{CC} = V_{CC}(TYP.)$ and $T_A = 25^\circ C$ 5. This parameter is measured at $V_{CC} = 3.0V$ **CAPACITANCE ($T_A = 25^\circ C, f = 1.0MHz$)**

PARAMETER	SYMBOL	MIN.	MAX	UNIT
Input Capacitance	C_{IN}	-	6	pF
Input/Output Capacitance	$C_{I/O}$	-	8	pF

Note : These parameters are guaranteed by device characterization, but not production tested.

AC TEST CONDITIONS

Input Pulse Levels	0.2V to $V_{CC} - 0.2V$
Input Rise and Fall Times	3ns
Input and Output Timing Reference Levels	1.5V
Output Load	$C_L = 30pF + 1TTL, I_{OH}/I_{OL} = -1mA/2mA$

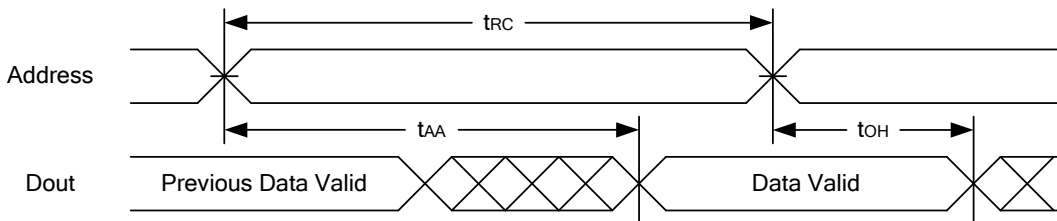
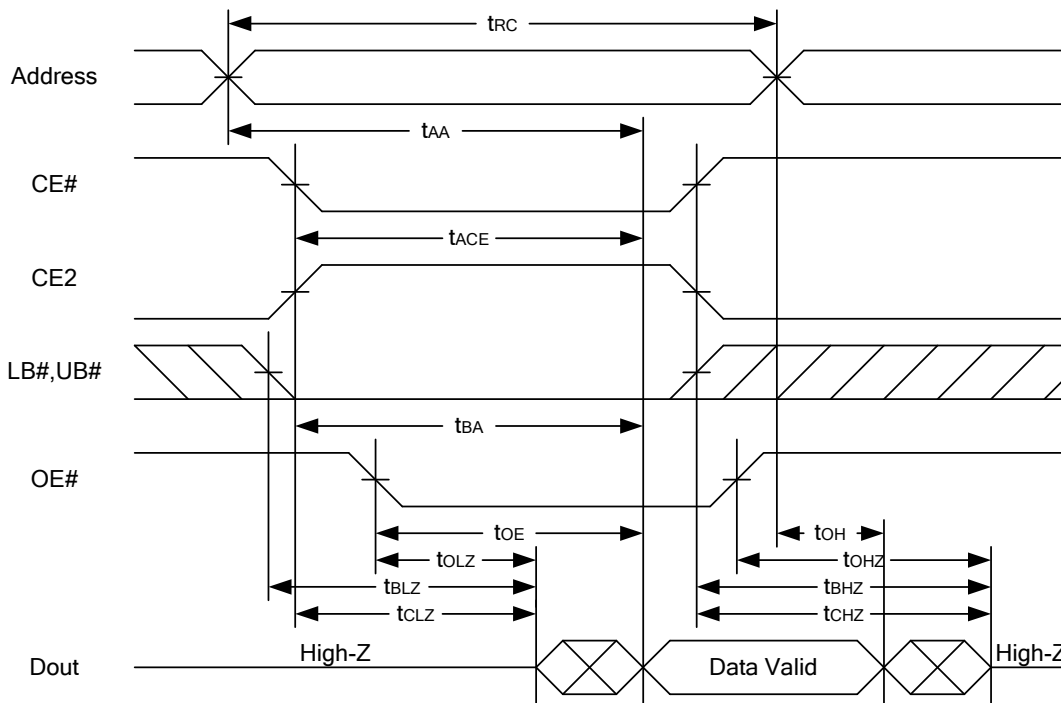
AC ELECTRICAL CHARACTERISTICS**(1) READ CYCLE**

PARAMETER	SYM.	LY62L102516-55		LY62L102516-70		UNIT
		MIN.	MAX.	MIN.	MAX.	
Read Cycle Time	t _{RC}	55	-	70	-	ns
Address Access Time	t _{AA}	-	55	-	70	ns
Chip Enable Access Time	t _{ACE}	-	55	-	70	ns
Output Enable Access Time	t _{OE}	-	30	-	35	ns
Chip Enable to Output in Low-Z	t _{CLZ} *	10	-	10	-	ns
Output Enable to Output in Low-Z	t _{OLZ} *	5	-	5	-	ns
Chip Disable to Output in High-Z	t _{CHZ} *	-	20	-	25	ns
Output Disable to Output in High-Z	t _{OHZ} *	-	20	-	25	ns
Output Hold from Address Change	t _{OH}	10	-	10	-	ns
LB#, UB# Access Time	t _{BA}	-	55	-	70	ns
LB#, UB# to High-Z Output	t _{BHZ} *	-	25	-	30	ns
LB#, UB# to Low-Z Output	t _{BLZ} *	10	-	10	-	ns

(2) WRITE CYCLE

PARAMETER	SYM.	LY62L102516-55		LY62L102516-70		UNIT
		MIN.	MAX.	MIN.	MAX.	
Write Cycle Time	t _{WC}	55	-	70	-	ns
Address Valid to End of Write	t _{AW}	50	-	60	-	ns
Chip Enable to End of Write	t _{CW}	50	-	60	-	ns
Address Set-up Time	t _{AS}	0	-	0	-	ns
Write Pulse Width	t _{WP}	45	-	55	-	ns
Write Recovery Time	t _{WR}	0	-	0	-	ns
Data to Write Time Overlap	t _{DW}	25	-	30	-	ns
Data Hold from End of Write Time	t _{DH}	0	-	0	-	ns
Output Active from End of Write	t _{OW} *	5	-	5	-	ns
Write to Output in High-Z	t _{WHZ} *	-	20	-	25	ns
LB#, UB# Valid to End of Write	t _{BW}	45	-	60	-	ns

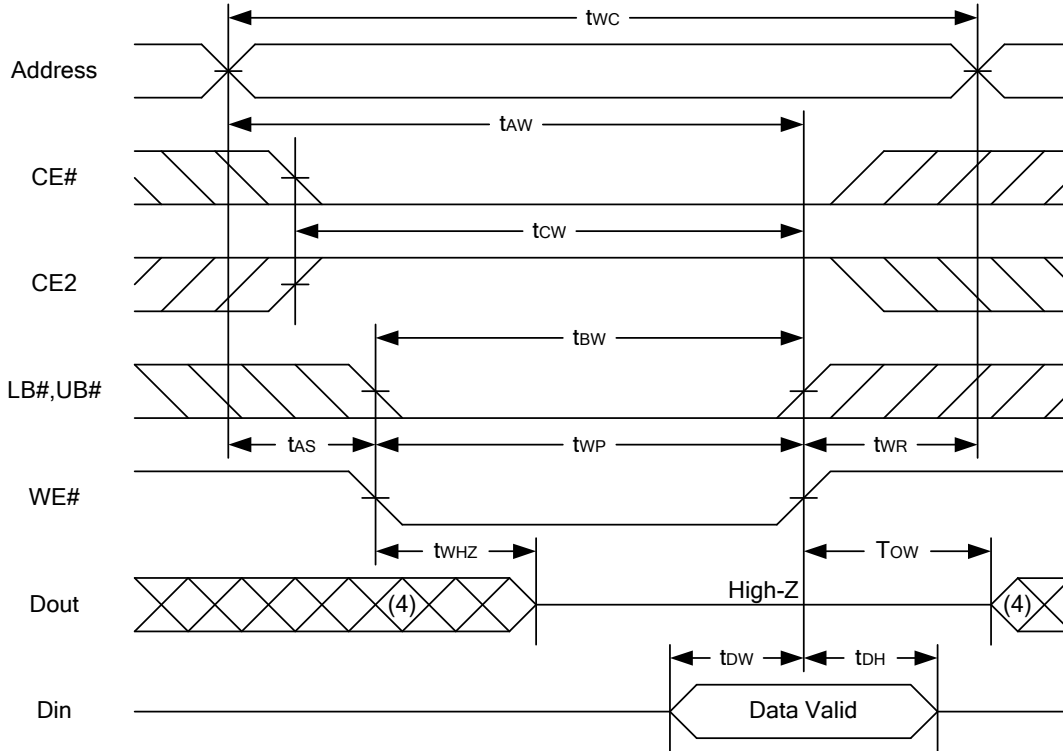
*These parameters are guaranteed by device characterization, but not production tested.

TIMING WAVEFORMS
READ CYCLE 1 (Address Controlled) (1,2)

READ CYCLE 2 (CE# and CE2 and OE# Controlled) (1,3,4,5)

Notes :

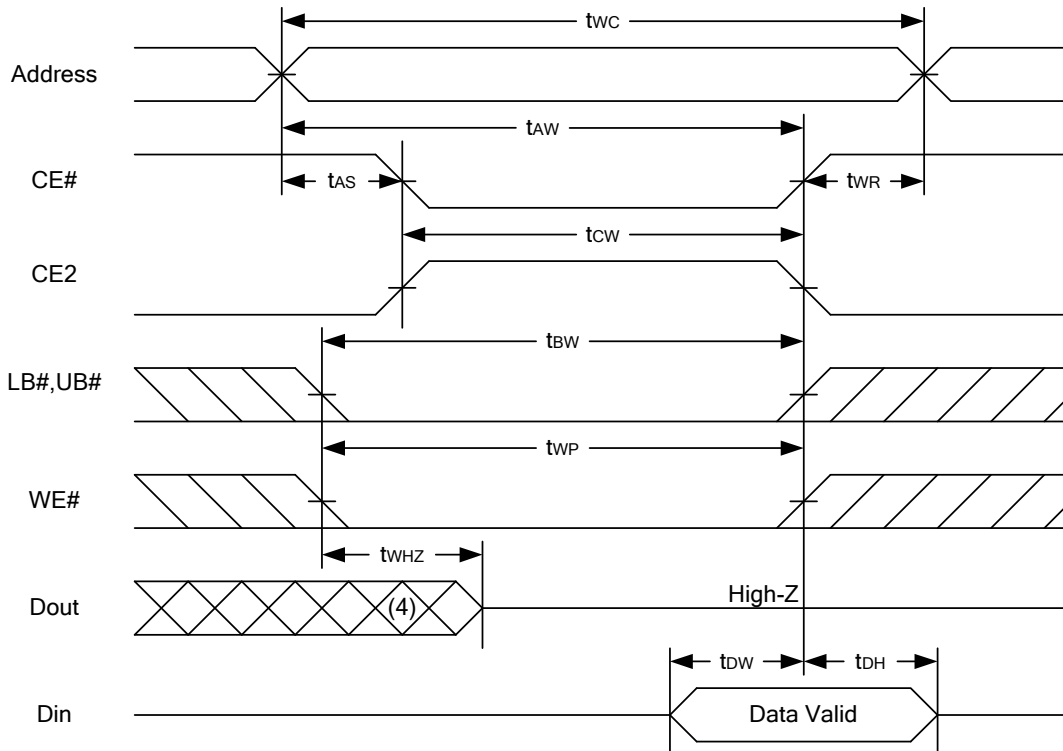
1. WE# is high for read cycle.
2. Device is continuously selected OE# = low, CE# = low, CE2 = high, LB# or UB# = low.
3. Address must be valid prior to or coincident with CE# = low, CE2 = high, LB# or UB# = low transition; otherwise tAA is the limiting parameter.
4. tCLZ, tBLZ, tOLZ, tCHZ, tBHZ and tOHZ are specified with CL = 5pF. Transition is measured ±500mV from steady state.
5. At any given temperature and voltage condition, tCHZ is less than tCLZ, tBHZ is less than tBLZ, tOHZ is less than tOLZ.



WRITE CYCLE 1 (WE# Controlled) (1,2,3,5,6)

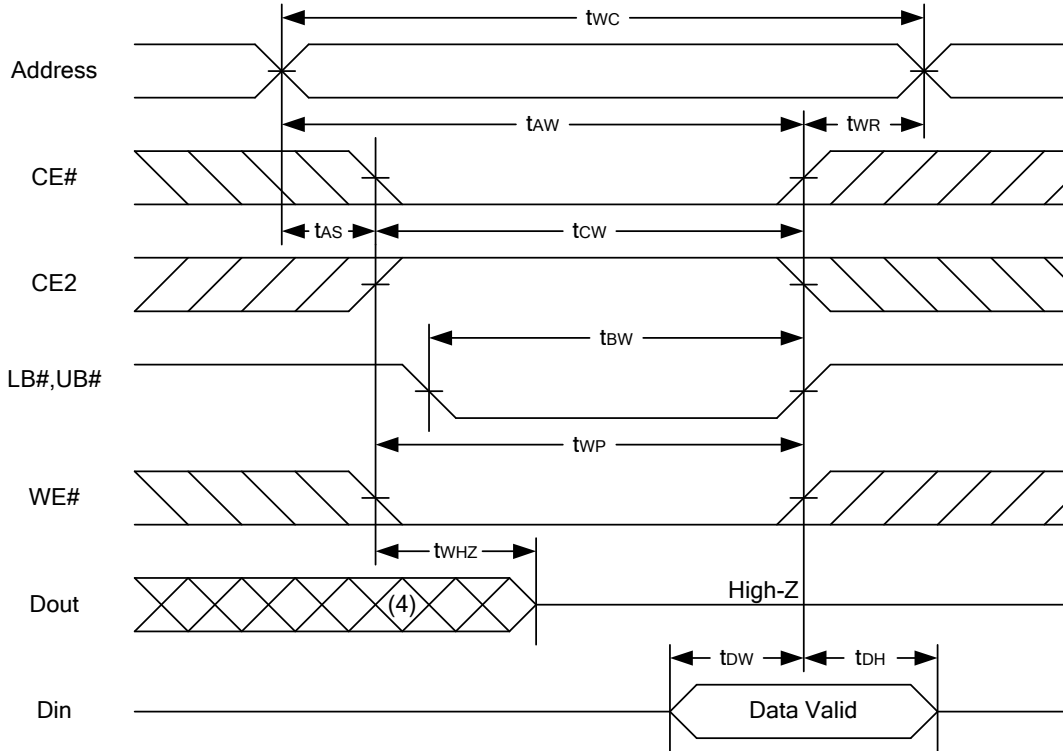


WRITE CYCLE 2 (CE# and CE2 Controlled) (1,2,5,6)





WRITE CYCLE 3 (LB#,UB# Controlled) (1,2,5,6)



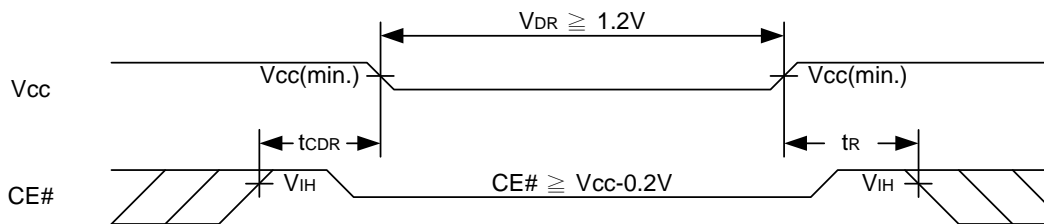
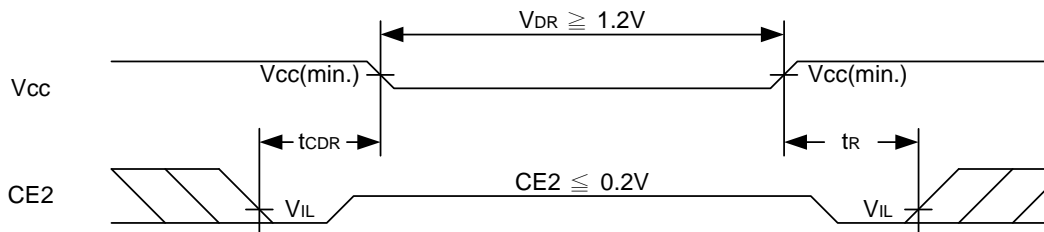
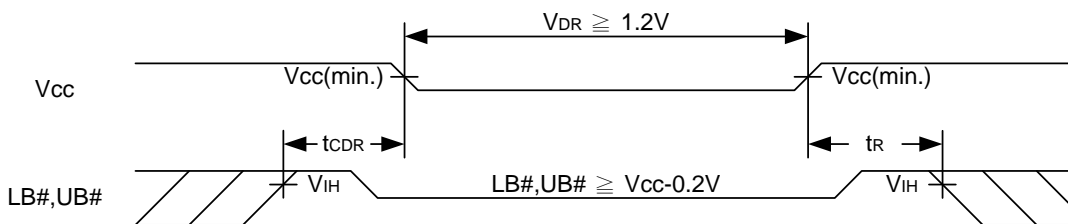
Notes :

1. WE#, CE#, LB#, UB# must be high or CE2 must be low during all address transitions.
2. A write occurs during the overlap of a low CE#, high CE2, low WE#, LB# or UB# = low.
3. During a WE# controlled write cycle with OE# low, t_{WP} must be greater than $t_{WHZ} + t_{DW}$ to allow the drivers to turn off and data to be placed on the bus.
4. During this period, I/O pins are in the output state, and input signals must not be applied.
5. If the CE#, LB#, UB# low transition and CE2 high transition occurs simultaneously with or after WE# low transition, the outputs remain in a high impedance state.
6. t_{OW} and t_{WHZ} are specified with $C_L = 5pF$. Transition is measured $\pm 500mV$ from steady state.

DATA RETENTION CHARACTERISTICS

PARAMETER	SYMBOL	TEST CONDITION	MIN.	TYP.	MAX.	UNIT		
V _{CC} for Data Retention	V _{DR}	CE# ≥ V _{CC} - 0.2V or CE2 ≤ 0.2V	1.2	-	3.6	V		
Data Retention Current	I _{DR}	V _{CC} = 1.2V CE# ≥ V _{CC} -0.2V or CE2 ≤ 0.2V other pins at 0.2V or V _{CC} -0.2V	LL	-	4	50	μA	
			LLE	-	4	60	μA	
			LLI	-	4	80	μA	
			SL	25°C	-	2.5	5	μA
			SLE	40°C	-	2.5	5	μA
			SLI		-	2.5	30	μA
			SL/SLE	-	2.5	30	μA	
SLI	-	2.5	40	μA				
Chip Disable to Data Retention Time	t _{CDR}	See Data Retention Waveforms (below)	0	-	-	ns		
Recovery Time	t _R		t _{RC} *	-	-	ns		

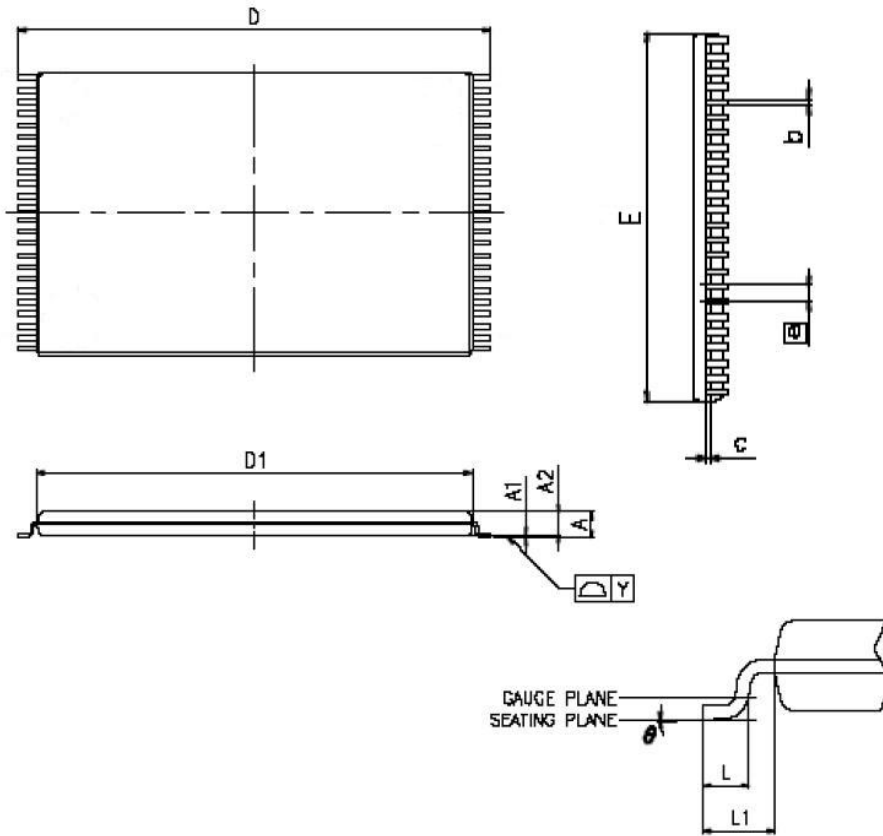
 t_{RC}* = Read Cycle Time

DATA RETENTION WAVEFORM
Low V_{CC} Data Retention Waveform (1) (CE# controlled)

Low V_{CC} Data Retention Waveform (2) (CE2 controlled)

Low V_{CC} Data Retention Waveform (3) (LB#, UB# controlled)




PACKAGE OUTLINE DIMENSION

48-pin 12mm x 20mm TSOP-I Package Outline Dimension



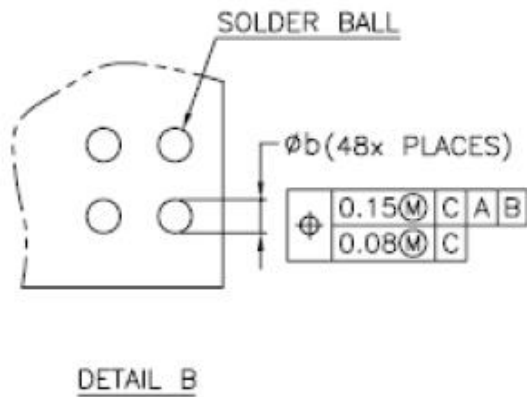
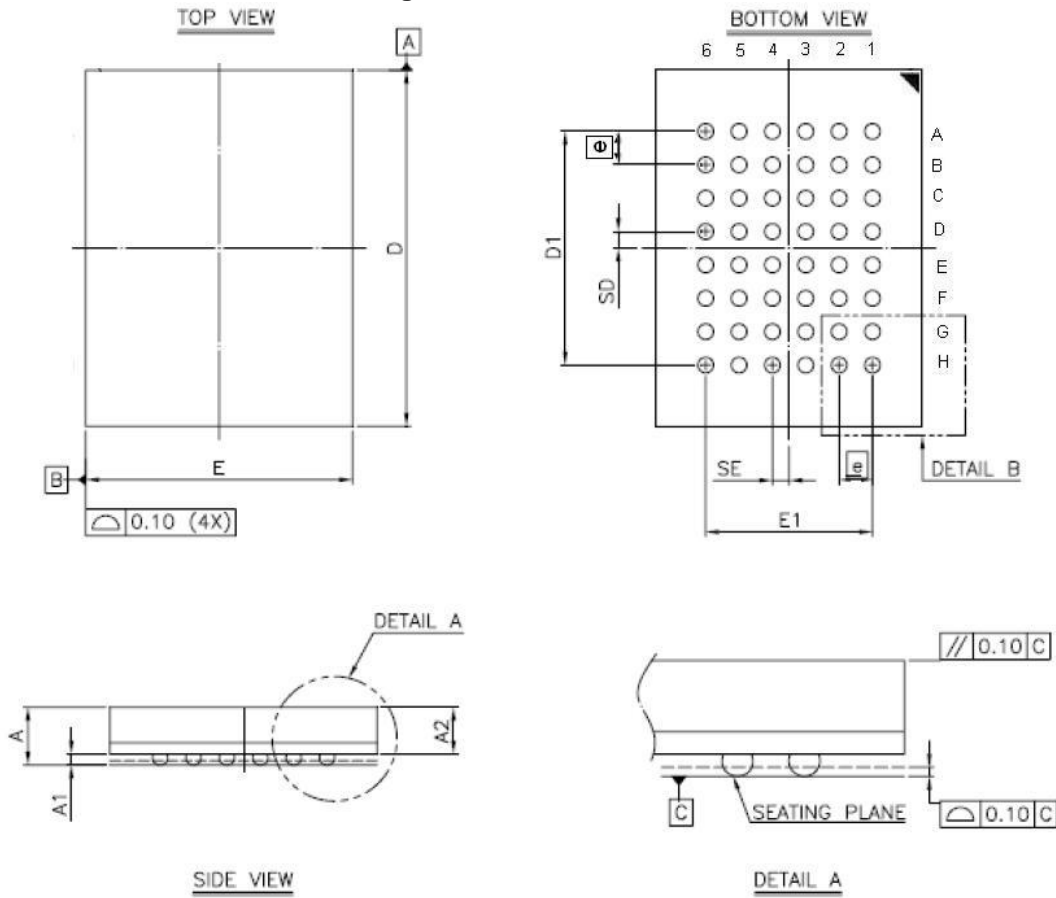
VARIATIONS (ALL DIMENSIONS SHOWN IN MM)

SYMBOLS	MIN.	NOM.	MAX
A	-	-	1.20
A1	0.05	-	0.15
A2	0.95	1.00	1.05
b	0.17	0.22	0.27
c	0.10	-	0.21
Δ D	19.80	20.00	20.20
Δ D1	18.30	18.40	18.50
Δ E	11.90	12.00	12.10
\square	0.50 BASIC		
L	0.50	0.60	0.70
Δ L1	-	0.80	-
Δ Y	-	-	0.10
Δ θ	θ	-	5°

NOTES:

1. JEDEC OUTLINE : MO-142 DD
2. PROFILE TOLERANCE ZONES FOR D1 AND E DO NOT INCLUDE MOLD PROTRUSION. ALLOWABLE MOLD PROTRUSION ON E IS 0.15mm PER SIDE AND ON D1 IS 0.25mm PER SIDE.
3. DIMENSION b DOES NOT INCLUDE DAMBAR PROTRUSION. ALLOWABLE DAMBAR PROTRUSION SHALL BE 0.08mm TOTAL IN EXCESS OF THE b DIMENSION AT MAXIMUM MATERIAL CONDITION. DAMBAR CANNOT BE LOCATED ON THE LOWER RADIUS OR THE FOOT.

48-ball 6mm x 8mm TFBGA Package Outline Dimension



SYM.	DIMENSION (mm)			DIMENSION (inch)		
	MIN.	NOM.	MAX.	MIN.	NOM.	MAX.
A	—	—	1.40	—	—	0.055
A1	0.20	0.25	0.30	0.008	0.010	0.012
A2	—	—	1.05	—	—	0.041
b	0.30	0.35	0.40	0.012	0.014	0.016
D	7.95	8.00	8.05	0.313	0.315	0.317
D1	5.25 BSC			0.207 BSC		
E	5.95	6.00	6.05	0.234	0.236	0.238
E1	3.75 BSC			0.148 BSC		
SE	0.375 TYP			0.015 TYP		
SD	0.375 TYP			0.015 TYP		
\square	0.75 BSC			0.030 BSC		

NOTE:

1. CONTROLLING DIMENSION : MILLIMETER.
2. REFERENCE DOCUMENT : JEDEC MO-207.



ORDERING INFORMATION

Package Type	Access Time (Speed)(ns)	Power Type	Temperature Range(°C)	Packing Type	Lyontek Item No.
48-Pin 12mmx20mm TSOP-I	55	Special Ultra Low Power	0°C~70°C	Tray	LY62L102516LL-55SL
				Tape Reel	LY62L102516LL-55SLT
			-20°C~80°C	Tray	LY62L1025616LL-55SLE
				Tape Reel	LY62L102516LL-55SLET
			-40°C~85°C	Tray	LY62L102516LL-55SLI
				Tape Reel	LY62L102516LL-55SLIT
		Ultra Low Power	0°C~70°C	Tray	LY62L102516LL-55LL
				Tape Reel	LY62L102516LL-55LLT
			-20°C~80°C	Tray	LY62L102516LL-55LLE
				Tape Reel	LY62L102516LL-55LLET
			-40°C~85°C	Tray	LY62L102516LL-55LLI
				Tape Reel	LY62L102516LL-55LLIT
	70	Special Ultra Low Power	0°C~70°C	Tray	LY62L102516LL-70SL
				Tape Reel	LY62L102516LL-70SLT
			-20°C~80°C	Tray	LY62L102516LL-70SLE
				Tape Reel	LY62L102516LL-70SLET
			-40°C~85°C	Tray	LY62L102516LL-70SLI
				Tape Reel	LY62L102516LL-70SLIT
		Ultra Low Power	0°C~70°C	Tray	LY62L102516LL-70LL
				Tape Reel	LY62L102516LL-70LLT
-20°C~80°C			Tray	LY62L102516LL-70LLE	
			Tape Reel	LY62L102516LL-70LLET	
-40°C~85°C			Tray	LY62L102516LL-70LLI	
			Tape Reel	LY62L102516LL-70LLIT	



ORDERING INFORMATION

Package Type	Access Time (Speed)(ns)	Power Type	Temperature Range(°C)	Packing Type	Lyontek Item No.
48-ball 6mmx8mm TFBGA	55	Special Ultra Low Power	0°C~70°C	Tray	LY62L102516GL-55SL
				Tape Reel	LY62L102516GL-55SLT
			-20°C~80°C	Tray	LY62L102516GL-55SLE
				Tape Reel	LY62L102516GL-55SLET
			-40°C~85°C	Tray	LY62L102516GL-55SLI
				Tape Reel	LY62L102516GL-55SLIT
		Ultra Low Power	0°C~70°C	Tray	LY62L102516GL-55LL
				Tape Reel	LY62L102516GL-55LLT
			-20°C~80°C	Tray	LY62L102516GL-55LLE
				Tape Reel	LY62L102516GL-55LLET
			-40°C~85°C	Tray	LY62L102516GL-55LLI
				Tape Reel	LY62L102516GL-55LLIT
	70	Special Ultra Low Power	0°C~70°C	Tray	LY62L102516GL-70SL
				Tape Reel	LY62L102516GL-70SLT
			-20°C~80°C	Tray	LY62L102516GL-70SLE
				Tape Reel	LY62L102516GL-70SLET
			-40°C~85°C	Tray	LY62L102516GL-70SLI
				Tape Reel	LY62L102516GL-70SLIT
		Ultra Low Power	0°C~70°C	Tray	LY62L102516GL-70LL
				Tape Reel	LY62L102516GL-70LLT
-20°C~80°C			Tray	LY62L102516GL-70LLE	
			Tape Reel	LY62L102516GL-70LLET	
-40°C~85°C			Tray	LY62L102516GL-70LLI	
			Tape Reel	LY62L102516GL-70LLIT	



Lyontek Inc.

LY62L102516

Rev. 1.0

1024K X 16 BIT LOW POWER CMOS SRAM

THIS PAGE IS LEFT BLANK INTENTIONALLY.

X-ON Electronics

Largest Supplier of Electrical and Electronic Components

Click to view similar products for [lyontek](#) manufacturer:

Other Similar products are found below :

[LY621024LL-70LLI](#) [LY61L20508AML-10I](#) [LY61L102416ALL-10I](#) [LY62L5128SL-55LLI](#) [LY6264PL-70LL](#) [LY62L2568LL-55LLI](#)
[LY62256RL-70LLI](#) [LY625128SL-55LLI](#) [LY61L102416AGL-10I](#) [LY68S3200SLT](#) [LY62W1024RL-55SLI](#) [LY8326A](#) [LY62W102516LL-55LLI](#) [LY62L51216ML-55SLI](#) [LY621024SL-70LLI](#) [LY61L5128AML-10I](#) [LY6264SL-70LLI](#) [LY62L2568RL-55LLI](#) [LY62W10248ML-55LLI](#) [LY62L204916AGL-55SLI](#) [LY61L20508AGL-10I](#) [LY8361F](#) [LY62L12816ML-70LLI](#) [LY62256SL-70LLI](#) [LY62W51216ML-55LLI](#)
[LY8212SLT](#) [LY62256SL-70LL](#) [LY8209UT](#) [LY8006ULT](#) [LY68L6400SLIT](#)