

CARDMASTER PC 30/25-3



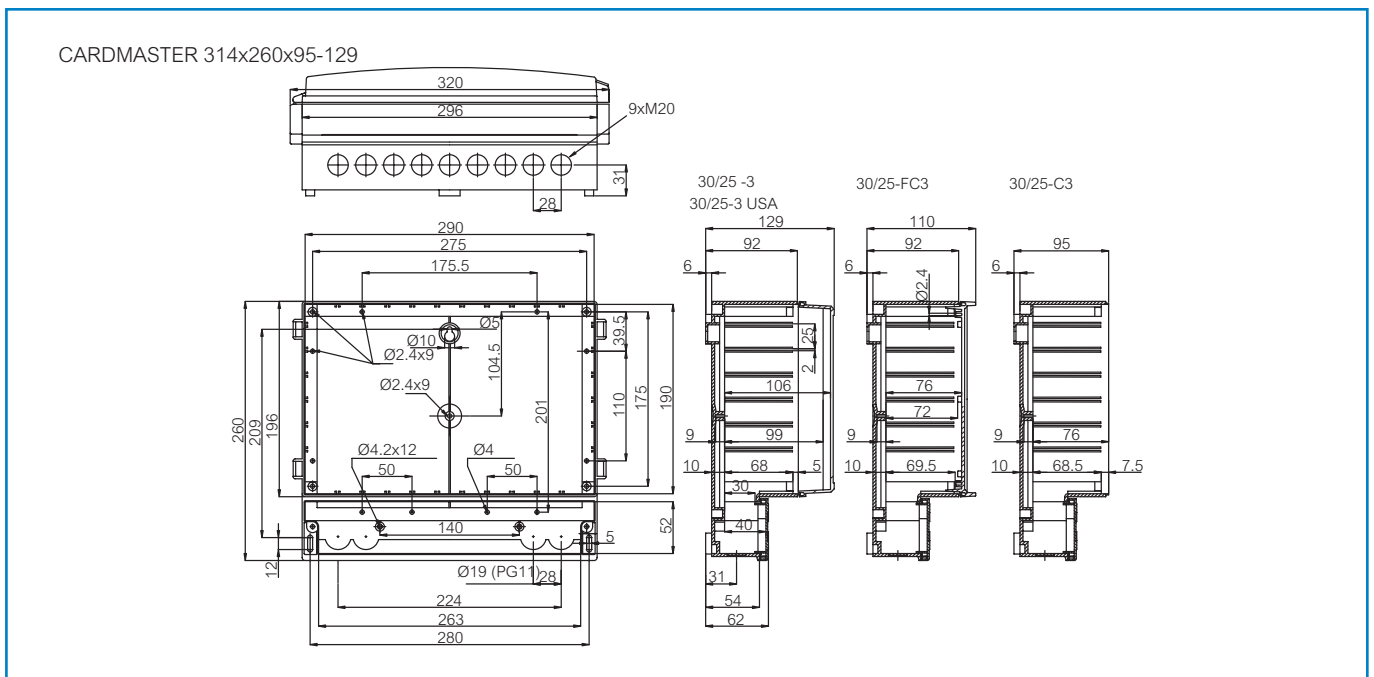
Order symbol: PC 30/25-3
Product nbr: 7525019
Description: Enclosure, PC
Remarks: Smoked transparent hinged cover

EAN: 6418074056740
EI. number:
 Finland: 3438233
 Denmark: 8212016677
 Sweden: 2537308
 Norway: 2536927

Including: Base, terminal compartment cover with EPDM gasket and screws for mounting plate/DIN-rail. -3 and -L3 versions: Transparent cover with PUR gasket, hinges, locking devices; FC version: Closed PC frame front plate with PUR gasket and cover screws.

Sample photo

Dimensions:		Length	Width	Height	Rating:
mm:		320	260	129	Ingress Protection (EN 60529): IP 65
inch:		12.6	10.2	5.1	Impact Resistance (EN 62262): IK 08/07
Materials:					
Material:		Polycarbonate			Electrical insulation: Totally insulated
Base colour:		RAL 7035			Halogen free (DIN/VDE 0472, Part 815): Yes
Cover colour:		Smoked grey			UV resistance: UL 508
Gasket material:		EPDM and Polyurethane			Flammability Rating (UL 746 C 5): UL 746C 5V
					Glow Wire Test (IEC 695-2-1) °C: 960
					NEMA Class: NEMA 1, 3, 3R, 12, 13
Temperatures:					
Short term:		-40 ... 120 °C			Certificates: Fimko Europe EN 62208: 2003 Gost R
Continuous:		-40 ... 80 °C			
Short term:		-40 ... 250 °F			
Continuous:		-40 ... 175 °F			
Accessories:					
MP 30/25		Mounting plate			
FP 30/25		Front plate (aluminium)			
FC PC 30/25		Frame of PC front plate			



X-ON Electronics

Largest Supplier of Electrical and Electronic Components

Click to view similar products for [Mounting Fixings](#) category:

Click to view products by [Fibox](#) manufacturer:

Other Similar products are found below :

[007310](#) [007541](#) [6-141-P](#) [620HA038NF09](#) [620HA038NF11](#) [71-074914-006](#) [71-146610-6H](#) [712HA170B23128-N](#) [71-441549-19S](#) [71-490451-4H](#) [75-69116-8S](#) [75-69211-3P](#) [75-69224-28P](#) [75-69224-5S](#) [770-006A109](#) [770-006A109R](#) [770-006A207](#) [770-006A208W1](#) [770-006A209](#) [770-006A306](#) [770-006A703W1](#) [770-006A704](#) [770-006A704W1](#) [770-006A705](#) [770-006A706](#) [770-006A706W1](#) [770-006A707](#) [770-006A709](#) [770-007A203](#) [770-007A203W1](#) [770-007A204W1](#) [770-007A207W1](#) [770-007A703](#) [770-007A704W1](#) [770-007A706](#) [770-007A707W1](#) [770-010Y208](#) [770-010Y308](#) [770-010Y705](#) [770-010Y706](#) [770-010Y707W1](#) [770-011T201](#) [770-011T203](#) [770-011T701W1](#) [770-011T702](#) [770-011T702W1](#) [770-011T703](#) [770-013210W1](#) [770-013311](#) [770-013312](#)