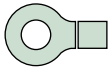
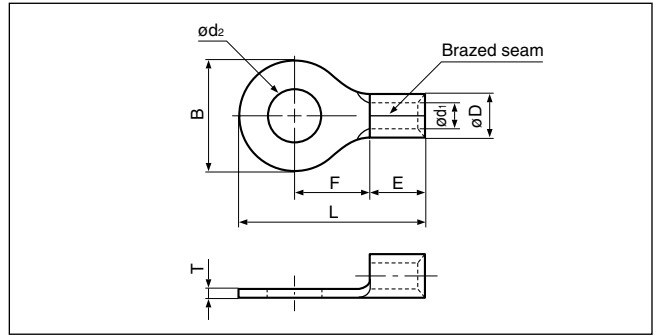


Solderless terminals



RING TONGUE (R type) Non-insulated



Certificate No.: E42024 LR20812 JQ0608019
 JQID08002

Applicable Wire AWG#(mm ²)	Stud size		Part No.		Standard	Dimensions mm (in.)								Tool No.	Qty/box	
	American	Metric	JST	JIS		ød ₂	B	L	F	E	øD	ød ₁	T			
26 to 22 (0.2 to 0.5)	1-2	2	0.5-2			2.2 (.087)	5.2 (.205)	12.4 (.488)	5.8 (.228)	4.0 (.157)	2.0 (.079)	1.0 (.039)	0.5 (.020)	YHT-2622 YA-1 YA-2 BCT-0514	1,000	
	3-4	3	0.5-3			3.2 (.126)	5.2 (.205)	12.4 (.488)	5.8 (.228)							
	5-6	3.5	0.5-3.7			3.7 (.146)	6.6 (.260)	15.0 (.591)	7.7 (.303)							
	8	4	0.5-4			4.3 (.169)	6.6 (.260)	15.0 (.591)	7.7 (.303)							
	10	5	0.5-5			5.3 (.209)	8.0 (.315)	15.0 (.591)	7.0 (.276)							
22 to 16 (0.25 to 1.65)	1-2	2	1.25-2			2.2 (.087)	5.5 (.217)	11.5 (.453)	4.0 (.157)	4.8 (.189)	3.4 (.134)	1.7 (.067)	0.8 (.031)	YHT-2210 YA-1 YA-2 YA-4 BCT-0514	1,000	
	3-4	3	1.25-3	*R1.25-3			3.2 (.126)	5.5 (.217)	11.5 (.453)							4.0 (.157)
	3-4	3	1.25-MS3			3.2 (.126)	5.5 (.217)	13.2 (.520)	5.6 (.220)							
	3-4	3	1.25-M3.3			3.2 (.126)	6.6 (.260)	14.4 (.567)	6.3 (.248)							
	3-4	3	1.25-L3			3.2 (.126)	8.0 (.315)	15.8 (.622)	7.0 (.276)							
	5-6	3.5	1.25-3.7			3.7 (.146)	5.5 (.217)	11.5 (.453)	4.0 (.157)							
	5-6	3.5	1.25-P3.5			3.7 (.146)	5.5 (.217)	13.9 (.547)	6.3 (.248)							
	5-6	3.5	1.25-M3	R1.25-3.5			3.7 (.146)	6.6 (.260)	14.4 (.567)							6.3 (.248)
	5-6	3.5	1.25-L3.7			3.7 (.146)	8.0 (.315)	15.8 (.622)	7.0 (.276)							
	8	4	1.25-M4			4.3 (.169)	6.6 (.260)	14.4 (.567)	6.3 (.248)							
	8	4	1.25-4	*R1.25-4		4.3 (.169)	8.0 (.315)	15.8 (.622)	7.0 (.276)							
	10	5	1.25-5	*R1.25-5		5.3 (.209)	8.0 (.315)	15.8 (.622)	7.0 (.276)							
	10	5	1.25-5NS			5.3 (.209)	9.0 (.354)	20.4 (.803)	11.1 (.437)							
	10	5	1.25-L5			5.3 (.209)	11.6 (.457)	21.7 (.854)	11.1 (.437)							
	1/4	6	1.25-6			6.4 (.252)	11.6 (.457)	21.7 (.854)	11.1 (.437)							
	5/16	8	1.25-8			8.4 (.331)	11.6 (.457)	21.7 (.854)	11.1 (.437)							
	3/8	9	1.25-9			9.8 (.386)	13.6 (.535)	25.5(1.004)	13.9 (.547)							
3/8	10	1.25-10		10.5 (.413)		13.6 (.535)	25.5(1.004)	13.9 (.547)								
1/2	12	1.25-12			13.0 (.512)	19.0 (.748)	31.0(1.220)	16.7 (.657)								
16 to 14 (1.04 to 2.63)	1-2	2	2-S2			2.2 (.087)	6.4 (.252)	12.3 (.484)	4.3 (.169)	4.8 (.189)	4.1 (.161)	2.3 (.091)	0.8 (.031)	YHT-2210 YA-1 YA-2 YA-4 BCT-0514	1,000	
	3-4	3	2-MS3			3.2 (.126)	5.5 (.217)	13.2 (.520)	5.6 (.220)							
	3-4	3	2-S3.3			3.2 (.126)	6.4 (.252)	12.3 (.484)	4.3 (.169)							
	3-4	3	2-M3.3			3.2 (.126)	6.6 (.260)	14.4 (.567)	6.3 (.248)							
	3-4	3	2-3			3.2 (.126)	8.5 (.335)	16.8 (.661)	7.8 (.307)							
	5-6	3.5	2-MS3.5				3.7 (.146)	5.5 (.217)	13.9 (.547)							6.3 (.248)
	5-6	3.5	2-S3				3.7 (.146)	6.4 (.252)	12.3 (.484)							4.3 (.169)
	5-6	3.5	2-M3	*R2-3.5			3.7 (.146)	6.6 (.260)	14.4 (.567)							6.3 (.248)
	5-6	3.5	2-P3.5				3.7 (.146)	7.0 (.276)	16.0 (.630)							7.7 (.303)
	5-6	3.5	2-3.7				3.7 (.146)	8.5 (.335)	16.8 (.661)							7.8 (.307)
	8	4	2-M4				4.3 (.169)	6.6 (.260)	14.4 (.567)							6.3 (.248)
	8	4	2-P4				4.3 (.169)	7.0 (.276)	16.0 (.630)							7.7 (.303)
	8	4	2-4	*R2-4			4.3 (.169)	8.5 (.335)	16.8 (.661)							7.8 (.307)
	10	5	2-M5				5.3 (.209)	8.5 (.335)	16.8 (.661)							7.8 (.307)
	10	5	2-5NS				5.3 (.209)	9.0 (.354)	20.3 (.799)							11.0 (.433)
	10	5	2-5	*R2-5			5.3 (.209)	9.5 (.374)	16.8 (.661)							7.3 (.287)
	1/4	6	2-6	R2-6			6.4 (.252)	12.0 (.472)	21.8 (.858)							11.0 (.433)
	5/16	8	2-8	R2-8			8.4 (.331)	12.0 (.472)	21.8 (.858)							11.0 (.433)
	3/8	9	2-9				9.8 (.386)	13.6 (.535)	25.5(1.004)							13.9 (.547)
	3/8	10	2-10				10.5 (.413)	13.6 (.535)	25.5(1.004)							13.9 (.547)
1/2	12	2-12			13.0 (.512)	19.0 (.748)	31.0(1.220)	16.7 (.675)								
1/2	14	2-14			15.0 (.591)	27.0(1.063)	39.5(1.555)	21.2 (.835)								
5/8	16	2-16			17.0 (.669)	27.0(1.063)	39.5(1.555)	21.2 (.835)								
3/4	20	2-20			21.0 (.827)	27.0(1.063)	39.5(1.555)	21.2 (.835)								

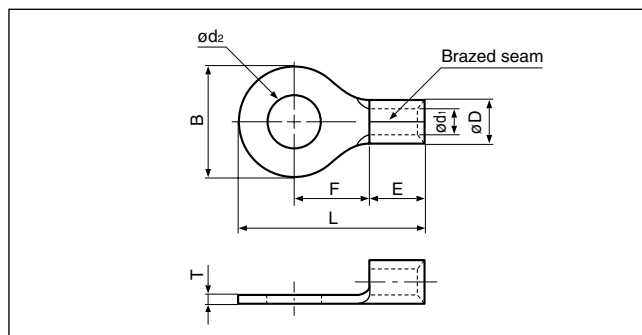
Note:1) Products with the JIS mark conform to JIS C2805.

2) The part numbers indicated in the above table are for products with a brazed seam.

When ordering products with a nominal size of 0.5 to 5.5 with a butted seam, add the prefix "WS" to the part number (ex.2-4 → **WS2-4**).

3) Delivery lead times may vary depending on the product. Contact JST for details.

4) The product with "*" marking contains JIS recognition number of JQID08002.



Applicable Wire AWG#(mm ²)	Stud size		Part No.		Standard	Dimensions mm (in.)								Tool No.	Qty/box	
	American	Metric	JST	JIS		ϕd_2	B	L	F	E	ϕD	ϕd_1	T			
14 to 12 (3.5)	3-4	3	3.5-R3		④ ⑤	3.2 (.126)	8.0 (.315)	17.8 (.707)	9.0 (.354)	4.8 (.189)	4.8 (.189)	2.7 (.106)	1.0 (.039)	YHT-2210 (Dies mark. 5) BCT-0514	1,000	
	8	4	3.5-R4			4.3 (.169)	8.0 (.315)	17.8 (.707)	9.0 (.354)							
	8	4	3.5-4			4.3 (.169)	10.3 (.406)	18.6 (.732)	8.6 (.339)							
	10	5	3.5-R5			5.3 (.209)	8.0 (.315)	17.8 (.707)	9.0 (.354)							
	10	5	3.5-5			5.3 (.209)	10.3 (.406)	18.6 (.732)	8.6 (.339)							
12 to 10 (2.63 to 6.64)	3-4	3	5.5-S3.3		④ ⑤	3.2 (.126)	7.2 (.283)	15.7 (.618)	5.9 (.232)	6.2 (.244)	5.6 (.220)	3.4 (.134)	1.0 (.039)	YHT-2210 YA-1 YA-2 YA-4 BCT-0514	500	
	3-4	3	5.5-3			3.2 (.126)	9.5 (.374)	19.8 (.780)	8.3 (.327)							6.8 (.268)
	5-6	3.5	5.5-S3			3.7 (.146)	7.2 (.283)	15.7 (.618)	5.9 (.232)							6.2 (.244)
	5-6	3.5	5.5-3.7			3.7 (.146)	9.5 (.374)	19.8 (.780)	8.3 (.327)							6.8 (.268)
	8	4	5.5-S4		4.3 (.169)	7.2 (.283)	15.7 (.618)	5.9 (.232)	6.2 (.244)	6.8 (.268)	5.6 (.220)	3.4 (.134)	1.0 (.039)		YHT-2210 YA-1 YA-2 YA-4 BCT-0514	1,000
	8	4	5.5-4NS		4.3 (.169)	8.0 (.315)	19.1 (.752)	8.3 (.327)								
	8	4	5.5-4	*R5.5-4	④ ⑤ ⑥	4.3 (.169)	9.5 (.374)	19.8 (.780)	8.3 (.327)							
	10	5	5.5-5NS		④ ⑤	5.3 (.209)	8.0 (.315)	19.1 (.752)	8.3 (.327)							
	10	5	5.5-5	*R5.5-5	④ ⑤ ⑥	5.3 (.209)	9.5 (.374)	19.8 (.780)	8.3 (.327)							
	10	5	5.5-S5		④ ⑤	5.3 (.209)	13.2 (.520)	22.4 (.882)	9.0 (.354)							
	1/4	6	5.5-6NS		④ ⑤	6.4 (.252)	9.0 (.354)	24.3 (.957)	13.0 (.512)							
	1/4	6	5.5-6	*R5.5-6	④ ⑤ ⑥	6.4 (.252)	12.0 (.472)	25.8(1.016)	13.0 (.512)							
	1/4	6	5.5-S6		④ ⑤	6.4 (.252)	13.2 (.520)	22.4 (.882)	9.0 (.354)							
	1/4	6	5.5-L6		④ ⑤	6.4 (.252)	15.0 (.591)	28.0(1.102)	13.7 (.539)							
	5/16	8	5.5-S8		④ ⑤	8.4 (.331)	13.2 (.520)	22.4 (.882)	9.0 (.354)							
	5/16	8	5.5-8	*R5.5-8	④ ⑤ ⑥	8.4 (.331)	15.0 (.591)	28.0(1.102)	13.7 (.539)							
	3/8	9	5.5-9		④ ⑤	9.8 (.386)	15.0 (.591)	28.0(1.102)	13.7 (.539)							
	3/8	10	5.5-10	R5.5-10	④ ⑤ ⑥	10.5 (.413)	15.0 (.591)	28.0(1.102)	13.7 (.539)							
	3/8	10	5.5-L10		④ ⑤	10.5 (.413)	19.2 (.756)	32.4(1.276)	16.0 (.630)							
	1/2	12	5.5-12		④ ⑤	13.0 (.512)	19.2 (.756)	32.4(1.276)	16.0 (.630)							
1/2	14	5.5-14		④ ⑤	15.0 (.591)	32.0(1.260)	48.1(1.894)	25.3 (.996)								
5/8	16	5.5-16		④ ⑤	17.0 (.669)	32.0(1.260)	48.1(1.894)	25.3 (.996)								
11/16	18	5.5-18		④ ⑤	19.0 (.748)	32.0(1.260)	48.1(1.894)	25.3 (.996)								
3/4	20	5.5-20		④ ⑤	21.0 (.827)	32.0(1.260)	48.1(1.894)	25.3 (.996)								

Note:1) Products with the JIS mark ⑥ conform to JIS C2805.

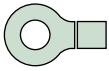
2) The part numbers indicated in the above table are for products with a brazed seam.

When ordering products with a nominal size of 0.5 to 5.5 with a butted seam, add the prefix "WS" to the part number (ex.5.5-4 → WS5.5-4).

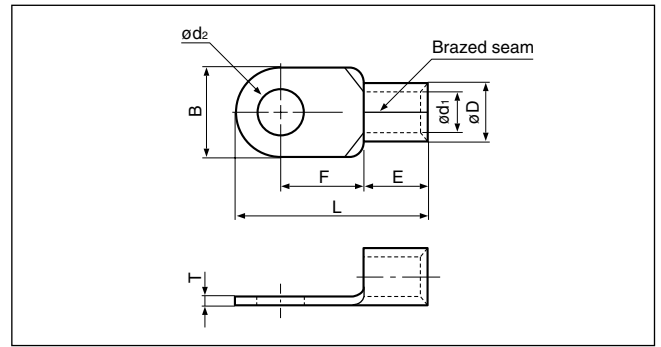
3) Delivery lead times may vary depending on the product. Contact JST for details.

4) The product with "*" marking contains JIS recognition number of JQID08002.

Solderless terminals



RING TONGUE (R type) Non-insulated



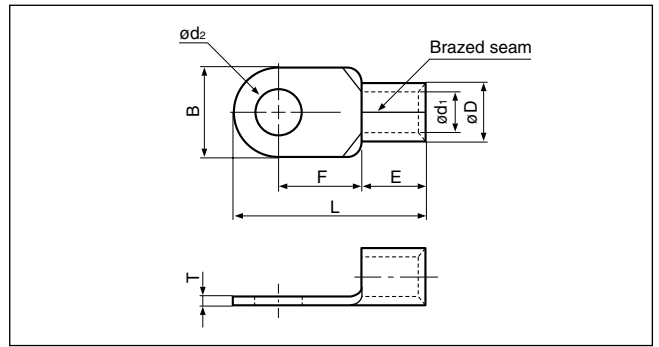
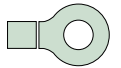
Applicable Wire AWG#(mm ²)	Stud size		Part No.		Standard	Dimensions mm (in.)							Tool No.	Qty/box				
	American	Metric	JST	JIS		ød ₂	B	L	F	E	øD	ød ₁			T			
8 (6.64 to 10.52)	8	4	8-NK4		UL, JIS	4.3 (.169)	9.0 (.354)	16.5 (.650)	5.8 (.228)	6.2 (.244)	7.1 (.280)	4.5 (.177)	1.2 (.047)	YHT-8S YA-4 YPT-60N YF-1 YET-60-1 E-4 (Note 2)	500			
	8	4	8-4NS		UL, JIS	4.3 (.169)	8.0 (.315)	21.8 (.858)	9.3 (.366)	8.5 (.335)				YHT-8S YA-4, YA-5 YPT-60N YPT-150-1 BCT-0514 BCT-860N BCT-8150 YF-1 YET-60-1 E-4 YET-150-1	1,000			
	8	4	8-4		UL, JIS	4.3 (.169)	12.0 (.472)	23.8 (.937)	9.3 (.366)	8.5 (.335)				YHT-8S YA-4 YPT-60N YF-1 YET-60-1 E-4 (Note 2)	500			
	10	5	8-NK5		UL, JIS	5.3 (.209)	9.0 (.354)	16.5 (.650)	5.8 (.228)	6.2 (.244)				8.5 (.335)	YHT-8S YA-4 YA-5 YPT-60N YPT-150-1 BCT-0514 BCT-860N BCT-8150 YF-1 YET-60-1 E-4 YET-150-1	500		
	10	5	8-5NS		UL, JIS	5.3 (.209)	9.0 (.354)	22.3 (.878)	9.3 (.366)	1,000								
	10	5	8-5	*R8-5	UL, JIS, IEC	5.3 (.209)	12.0 (.472)	23.8 (.937)	9.3 (.366)	500								
	10	5	8-L5NS		UL, JIS	5.3 (.209)	9.0 (.354)	26.8(1.055)	13.8 (.543)	1,000								
	10	5	8-L5		UL, JIS	5.3 (.209)	15.0 (.591)	29.8(1.173)	13.8 (.543)	500								
	1/4	6	8-6NS		UL, JIS	6.4 (.252)	9.6 (.378)	22.6 (.890)	9.3 (.366)	1,000								
	1/4	6	8-6	*R8-6	UL, JIS, IEC	6.4 (.252)	12.0 (.472)	23.8 (.937)	9.3 (.366)	500								
	1/4	6	8-L6		UL, JIS	6.4 (.252)	15.0 (.591)	29.8(1.173)	13.8 (.543)	1,000								
	5/16	8	8-8NS		UL, JIS	8.4 (.331)	11.5 (.453)	28.1(1.106)	13.8 (.543)	500								
	5/16	8	8-8	*R8-8	UL, JIS, IEC	8.4 (.331)	15.0 (.591)	29.8(1.173)	13.8 (.543)	1,000								
	3/8	9	8-9		UL, JIS	9.8 (.386)	15.0 (.591)	29.8(1.173)	13.8 (.543)	8.5 (.335)							YHT-8S YA-4 YA-5 YPT-60N YPT-150-1 BCT-0514 BCT-860N BCT-8150 YF-1 YET-60-1 E-4 YET-150-1	500
	3/8	10	8-10	*R8-10	UL, JIS, IEC	10.5 (.413)	15.0 (.591)	29.8(1.173)	13.8 (.543)									
	3/8	10	8-L10		UL, JIS	10.5 (.413)	20.0 (.787)	33.5(1.319)	15.0 (.591)									
	7/16	11	8-11		UL, JIS	11.5 (.453)	20.0 (.787)	33.5(1.319)	15.0 (.591)									
	1/2	12	8-12		UL, JIS	13.0 (.512)	20.0 (.787)	33.5(1.319)	15.0 (.591)									
	1/2	14	8-14		UL, JIS	15.0 (.591)	31.6(1.244)	50.0(1.969)	25.7(1.012)									
	5/8	16	8-16		UL, JIS	17.0 (.669)	31.6(1.244)	50.0(1.969)	25.7(1.012)									
11/16	18	8-18		UL, JIS	19.0 (.748)	31.6(1.244)	50.0(1.969)	25.7(1.012)										
3/4	20	8-20		UL, JIS	21.0 (.827)	31.6(1.244)	50.0(1.969)	25.7(1.012)										

Note: 1) Products with the JIS mark (JIS) conform to JIS C2805.

2) Please use the die AD-901S for the pneumatic tool YA-4, and the die 8NK-6 for the hydraulic tools YPT-60-21/YET-60-1.

3) Delivery lead times may vary depending on the product. Contact JST for details.

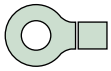
4) The product with "*" marking contains JIS recognition number of JQID08002.



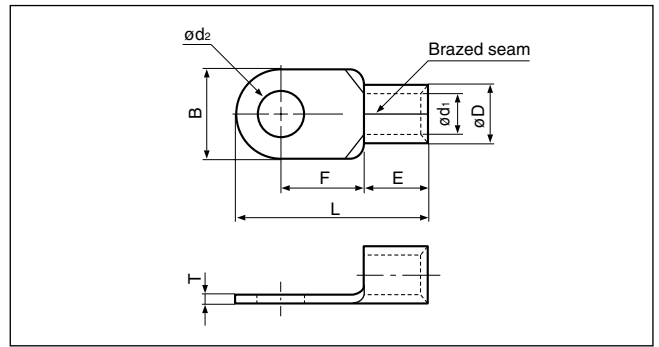
Applicable Wire AWG#(mm ²)	Stud size		Part No.		Standard	Dimensions mm (in.)							Tool No.	Qty/box	
	American	Metric	JST	JIS		ød ₂	B	L	F	E	øD	ød ₁			T
6 (10.52 to 16.78)	8	4	14-4		UL CSF	4.3 (.169)	12.0 (.472)	29.8(1.173)	13.3 (.524)	10.5 (.413)	9.0 (.354)	5.8 (.228)	1.5 (.059)	YA-4 YA-5 YPT-60N YPT-150-1 BCT-0514 BCT-860N BCT-8150 YF-1 YET-60-1 E-4 YET-150-1	200
	8	4	14-NK4			4.3 (.169)	12.2 (.480)	23.0 (.906)	7.7 (.303)	9.2 (.362)					
	10	5	14-5NS		5.3 (.209)	9.0 (.354)	28.3(1.114)	13.3 (.524)	10.5 (.413)						
	10	5	14-5	*R14-5	UL CSF Q15	5.3 (.209)	12.0 (.472)	29.8(1.173)	13.3 (.524)	9.2 (.362)					200
	10	5	14-NK5		5.3 (.209)	12.2 (.480)	23.0 (.906)	7.7 (.303)	9.2 (.362)						
	1/4	6	14-6NS		UL CSF	6.4 (.252)	9.6 (.378)	28.6(1.126)	13.3 (.524)	200					
	1/4	6	14-6	*R14-6	UL CSF Q15	6.4 (.252)	12.0 (.472)	29.8(1.173)	13.3 (.524)						
	1/4	6	14-L6		UL CSF	6.4 (.252)	16.0 (.630)	32.8(1.291)	14.5 (.571)	100					
	5/16	8	14-8NS		UL CSF	8.4 (.331)	11.5 (.453)	30.8(1.213)	14.5 (.571)						
	5/16	8	14-S8		UL CSF	8.4 (.331)	12.0 (.472)	31.0(1.220)	14.5 (.571)	100					
	5/16	8	14-8	*R14-8	UL CSF Q15	8.4 (.331)	16.0 (.630)	32.8(1.291)	14.5 (.571)						
	3/8	9	14-9		UL CSF	9.8 (.386)	16.0 (.630)	32.8(1.291)	14.5 (.571)	100					
	3/8	10	14-10	*R14-10	UL CSF Q15	10.5 (.413)	16.0 (.630)	32.8(1.291)	14.5 (.571)						
	3/8	10	14-L10		UL CSF	10.5 (.413)	22.0 (.866)	41.0(1.614)	19.5 (.739)	100					
	7/16	11	14-11		UL CSF	11.5 (.453)	22.0 (.866)	41.0(1.614)	19.5 (.739)						
	1/2	12	14-12	*R14-12	UL CSF Q15	13.0 (.512)	22.0 (.866)	41.0(1.614)	19.5 (.739)	100					
	1/2	14	14-14	*R14-14	UL CSF Q15	15.0 (.591)	30.0(1.181)	49.0(1.929)	23.5 (.925)						
	5/8	16	14-16		UL CSF	17.0 (.669)	31.6(1.244)	51.5(2.028)	25.2 (.992)	100					
11/16	18	14-18		UL CSF	19.0 (.748)	31.6(1.244)	51.5(2.028)	25.2 (.992)							
3/4	20	14-20		UL CSF	21.0 (.827)	31.6(1.244)	51.5(2.028)	25.2 (.992)							
4 (16.78 to 26.66)	10	5	22-5NS		UL CSF	5.3 (.209)	9.5 (.374)	28.7(1.130)	12.0 (.472)	12.0 (.472)	11.5 (.453)	7.7 (.303)	1.8 (.071)	YA-5 YPT-60N YPT-150-1 BCT-860N BCT-8150 YF-1 YET-60-1 E-4 YET-150-1	100
	10	5	22-S5			5.3 (.209)	12.0 (.472)	30.0(1.181)	12.0 (.472)						
	10	5	22-5		UL CSF	5.3 (.209)	16.5 (.650)	33.7(1.327)	13.5 (.531)						
	1/4	6	22-S6		UL CSF	6.4 (.252)	12.0 (.472)	30.0(1.181)	12.0 (.472)						
	1/4	6	22-6	R22-6	UL CSF Q15	6.4 (.252)	16.5 (.650)	33.7(1.327)	13.5 (.531)						
	5/16	8	22-S8		UL CSF	8.4 (.331)	12.0 (.427)	30.0(1.181)	12.0 (.472)						
	5/16	8	22-8	R22-8	UL CSF Q15	8.4 (.331)	16.5 (.650)	33.7(1.327)	13.5 (.531)						
	3/8	9	22-9		UL CSF	9.8 (.386)	17.5 (.689)	36.7(1.445)	16.0 (.630)						
	3/8	10	22-S10		UL CSF	10.5 (.413)	16.5 (.650)	33.7(1.327)	13.5 (.531)						
	3/8	10	22-10	R22-10	UL CSF Q15	10.5 (.413)	17.5 (.689)	36.7(1.445)	16.0 (.630)						
	7/16	11	22-11		UL CSF	11.5 (.453)	22.0 (.866)	42.5(1.673)	19.5 (.768)						
	1/2	12	22-12	R22-12	UL CSF Q15	13.0 (.512)	22.0 (.866)	42.5(1.673)	19.5 (.768)						
	1/2	14	22-14	R22-14	UL CSF Q15	15.0 (.591)	30.0(1.181)	51.5(2.028)	24.5 (.965)						
	5/8	16	22-16		UL CSF	17.0 (.669)	30.0(1.181)	51.5(2.028)	24.5 (.965)						
	11/16	18	22-18		UL CSF	19.0 (.748)	30.0(1.181)	51.5(2.028)	24.5 (.965)						
3/4	20	22-20		UL CSF	21.0 (.827)	30.0(1.181)	51.5(2.028)	24.5 (.965)							

Note: 1) Products with the JIS mark conform to JIS C2805.
 2) Delivery lead times may vary depending on the product. Contact JST for details.
 3) The product with "*" marking contains JIS recognition number of JQID08002.

Solderless terminals

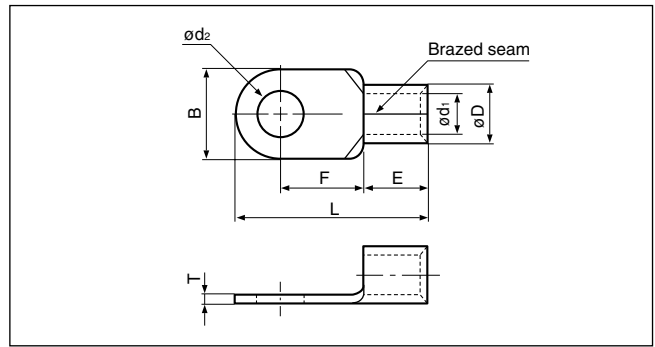
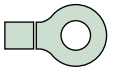


RING TONGUE (R type) Non-insulated

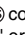


Applicable Wire AWG#(mm ²)	Stud size		Part No.		Standard	Dimensions mm (in.)								Tool No.	Qty/box
	American	Metric	JST	JIS		ød ₂	B	L	F	E	øD	ød ₁	T		
2 (26.66 to 42.42)	10	5	38-S5		UL SP	5.3 (.209)	15.5 (.610)	38.0(1.496)	16.0 (.630)	14.0 (.551)	13.3 (.524)	9.4 (.370)	1.8 (.071)	YA-5 YPT-60N YPT-150-1 BCT-860N BCT-8150 YF-1 YET-60-1 E-4 YET-150-1	100
	10	5	38-5			5.3 (.209)	22.0 (.866)	42.7(1.681)	17.7 (.697)						
	1/4	6	38-S6			6.4 (.252)	15.5 (.610)	38.0(1.496)	16.0 (.630)						
	1/4	6	38-6			6.4 (.252)	22.0 (.866)	42.7(1.681)	17.7 (.697)						
	5/16	8	38-S8			8.4 (.331)	15.5 (.610)	38.0(1.496)	16.0 (.630)						
	5/16	8	38-8	R38-8	UL SP JIS	8.4 (.331)	22.0 (.866)	42.7(1.681)	17.7 (.697)						
	5/16	8	38-L8		UL SP	8.4 (.331)	30.0(1.181)	52.5(2.067)	23.5 (.925)						
	3/8	9	38-9			9.8 (.386)	22.0 (.866)	42.7(1.681)	17.7 (.697)						
	3/8	9	38-S9			9.8 (.386)	27.0(1.063)	38.0(1.496)	16.0 (.630)						
	3/8	10	38-S10		UL SP JIS	10.5 (.413)	15.5 (.610)	38.0(1.496)	16.0 (.630)						
	3/8	10	38-10	R38-10		10.5 (.413)	22.0 (.866)	42.7(1.681)	17.7 (.697)						
	3/8	10	38-L10		UL SP	10.5 (.413)	30.0(1.181)	52.5(2.067)	23.5 (.925)						
	7/16	11	38-11		UL SP	11.5 (.453)	22.0 (.866)	42.7(1.681)	17.7 (.697)						
	1/2	12	38-12	R38-12	UL SP JIS	13.0 (.512)	22.0 (.866)	42.7(1.681)	17.7 (.697)						
	1/2	14	38-14	R38-14	UL SP JIS	15.0 (.591)	30.0(1.181)	52.5(2.067)	23.5 (.925)						
5/8	16	38-16		UL SP	17.0 (.669)	30.0(1.181)	52.5(2.067)	23.5 (.925)							
11/16	18	38-18			19.0 (.748)	30.0(1.181)	52.5(2.067)	23.5 (.925)							
3/4	20	38-20		UL SP	21.0 (.827)	30.0(1.181)	52.5(2.067)	23.5 (.925)							
1/0 (42.42 to 60.57)	-	-	60-S0		UL SP	-	22.0 (.866)	49.7(1.957)	20.7 (.815)	18.0 (.709)	15.5 (.610)	11.4 (.449)	2.0 (.079)	YA-5 YPT-60N YPT-150-1 BCT-860N BCT-8150 YF-1 YET-60-1 E-4 YET-150-1 YET-300-1 YET-300N	50
	1/4	6	60-S6		UL	6.4 (.252)	16.0 (.630)	46.7(1.839)	20.7 (.815)						
	1/4	6	60-6		UL SP	6.4 (.252)	22.0 (.866)	49.7(1.957)	20.7 (.815)						
	5/16	8	60-S8		UL SP	8.4 (.331)	16.0 (.630)	46.7(1.839)	20.7 (.815)						
	5/16	8	60-8	R60-8	UL SP JIS	8.4 (.331)	22.0 (.866)	49.7(1.957)	20.7 (.815)						
	3/8	9	60-9		UL SP	9.8 (.386)	22.0 (.866)	49.7(1.957)	20.7 (.815)						
	3/8	10	60-S10		UL SP JIS	10.5 (.413)	16.0 (.630)	46.7(1.839)	20.7 (.815)						
	3/8	10	60-10	R60-10		10.5 (.413)	22.0 (.866)	49.7(1.957)	20.7 (.815)						
	7/16	11	60-11		UL SP	11.5 (.453)	22.0 (.866)	49.7(1.957)	20.7 (.815)						
	1/2	12	60-12	R60-12	UL SP JIS	13.0 (.512)	22.0 (.866)	49.7(1.957)	20.7 (.815)						
	1/2	14	60-14	R60-14	UL SP JIS	15.0 (.591)	32.0(1.260)	57.5(2.264)	23.5 (.925)						
	5/8	16	60-16		UL SP	17.0 (.669)	32.0(1.260)	57.5(2.264)	23.5 (.925)						
11/16	18	60-18		19.0 (.748)		32.0(1.260)	57.5(2.264)	23.5 (.925)							
3/4	20	60-20		21.0 (.827)		32.0(1.260)	57.5(2.264)	23.5 (.925)							
7/8	22	60-22		23.0 (.906)		32.0(1.260)	57.5(2.264)	23.5 (.925)							
2/0 (60.57 to 76.28)	1/4	6	70-6		UL SP	6.4 (.252)	24.0 (.945)	51.0(2.008)	20.0 (.787)	19.0 (.748)	17.5 (.689)	13.3 (.524)	2.0 (.079)	YPT-150-1 BCT-8150 YF-1 YET-150-1 E-4 YET-300-1 YET-300N	25
	5/16	8	70-8			8.4 (.331)	24.0 (.945)	51.0(2.008)	20.0 (.787)						
	3/8	9	70-9			9.8 (.386)	24.0 (.945)	51.0(2.008)	20.0 (.787)						
	3/8	10	70-10			10.5 (.413)	24.0 (.945)	51.0(2.008)	20.0 (.787)						
	7/16	11	70-11			11.5 (.453)	24.0 (.945)	51.0(2.008)	20.0 (.787)						
	1/2	12	70-12			13.0 (.512)	24.0 (.945)	51.0(2.008)	20.0 (.787)						
	1/2	14	70-14			15.0 (.591)	32.0(1.260)	61.0(2.402)	26.0(1.024)						
	5/8	16	70-16			17.0 (.669)	32.0(1.260)	61.0(2.402)	26.0(1.024)						
	11/16	18	70-18			19.0 (.748)	32.0(1.260)	61.0(2.402)	26.0(1.024)						
	3/4	20	70-20			21.0 (.827)	32.0(1.260)	61.0(2.402)	26.0(1.024)						
7/8	22	70-22		23.0 (.906)	32.0(1.260)	61.0(2.402)	26.0(1.024)								

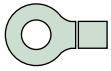
Note: 1) Products with the JIS mark conform to JIS C2805.
 2) Part numbers containing "S0" do not have stud holes.
 3) Delivery lead times may vary depending on the product. Contact JST for details.



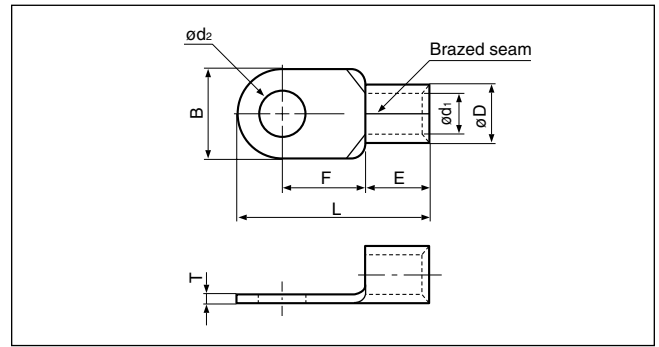
Applicable Wire AWG#(mm ²)	Stud size		Part No.		Standard	Dimensions mm (in.)								Tool No.	Qty/box
	American	Metric	JST	JIS		ϕd_2	B	L	F	E	ϕD	ϕd_1	T		
3/0 (76.28 to 96.3)	-	-	80-S0		UL LF JIS	-	27.0(1.063)	54.2(2.134)	20.7 (.815)	20.0 (.787)	19.5 (.768)	14.5 (.571)	2.3 (.091)	YPT-150-1 BCT-8150 YF-1 YET-150-1 E-4 YET-300-1 YET-300N	25
	-	-	80-L0			-	32.0(1.260)	68.0(2.677)	32.0(1.260)						
	1/4	6	80-6			6.4 (.252)	27.0(1.063)	54.2(2.134)	20.7 (.815)						
	5/16	8	80-8			8.4 (.331)	27.0(1.063)	54.2(2.134)	20.7 (.815)						
	5/16	8	80-L8			8.4 (.331)	32.0(1.260)	68.0(2.677)	32.0(1.260)						
	3/8	9	80-9			9.8 (.386)	27.0(1.063)	54.2(2.134)	20.7 (.815)						
	3/8	10	80-10			10.5 (.413)	27.0(1.063)	54.2(2.134)	20.7 (.815)						
	3/8	10	80-L10			10.5 (.413)	32.0(1.260)	68.0(2.677)	32.0(1.260)						
	7/16	11	80-11			11.5 (.453)	27.0(1.063)	54.2(2.134)	20.7 (.815)						
	1/2	12	80-12			13.0 (.512)	27.0(1.063)	54.2(2.134)	20.7 (.815)						
	1/2	12	80-L12			13.0 (.512)	32.0(1.260)	68.0(2.677)	32.0(1.260)						
	1/2	14	80-14			15.0 (.591)	32.0(1.260)	68.0(2.677)	32.0(1.260)						
	5/8	16	80-16			17.0 (.669)	32.0(1.260)	68.0(2.677)	32.0(1.260)						
	11/16	18	80-18			19.0 (.748)	32.0(1.260)	68.0(2.677)	32.0(1.260)						
	3/4	20	80-20			21.0 (.827)	32.0(1.260)	68.0(2.677)	32.0(1.260)						
7/8	22	80-22		23.0 (.906)	32.0(1.260)	68.0(2.677)	32.0(1.260)								
4/0 (96.3 to 117.2)	-	-	100-S0		UL LF JIS	-	28.5(1.122)	55.6(2.189)	20.4 (.803)	21.0 (.827)	22.3 (.878)	16.4 (.646)	2.6 (.102)	YPT-150-1 BCT-8150 YF-1 YET-150-1 E-4 YET-300-1 YET-300N	25
	-	-	100-L0			-	32.0(1.260)	69.0(2.717)	32.0(1.260)						
	1/4	6	100-6			6.4 (.252)	28.5(1.122)	55.6(2.189)	20.4 (.803)						
	5/16	8	100-8			8.4 (.331)	28.5(1.122)	55.6(2.189)	20.4 (.803)						
	5/16	8	100-L8			8.4 (.331)	32.0(1.260)	69.0(2.717)	32.0(1.260)						
	3/8	9	100-9			9.8 (.386)	28.5(1.122)	55.6(2.189)	20.4 (.803)						
	3/8	10	100-10	R100-10		10.5 (.413)	28.5(1.122)	55.6(2.189)	20.4 (.803)						
	3/8	10	100-L10			10.5 (.413)	32.0(1.260)	69.0(2.717)	32.0(1.260)						
	7/16	11	100-11			11.5 (.453)	28.5(1.122)	55.6(2.189)	20.4 (.803)						
	1/2	12	100-12	R100-12		13.0 (.512)	28.5(1.122)	55.6(2.189)	20.4 (.803)						
	1/2	12	100-L12			13.0 (.512)	32.0(1.260)	69.0(2.717)	32.0(1.260)						
	1/2	14	100-14	R100-14		15.0 (.591)	32.0(1.260)	69.0(2.717)	32.0(1.260)						
	5/8	16	100-16	R100-16		17.0 (.669)	32.0(1.260)	69.0(2.717)	32.0(1.260)						
	11/16	18	100-18	R100-18		19.0 (.748)	32.0(1.260)	69.0(2.717)	32.0(1.260)						
	3/4	20	100-20	R100-20		21.0 (.827)	32.0(1.260)	69.0(2.717)	32.0(1.260)						
7/8	22	100-22		23.0 (.906)	32.0(1.260)	69.0(2.717)	32.0(1.260)								

Note: 1) Products with the JIS mark  conform to JIS C2805.
 2) Part numbers containing "S0" or "L0" do not have stud holes.
 3) Delivery lead times may vary depending on the product. Contact JST for details.

Solderless terminals

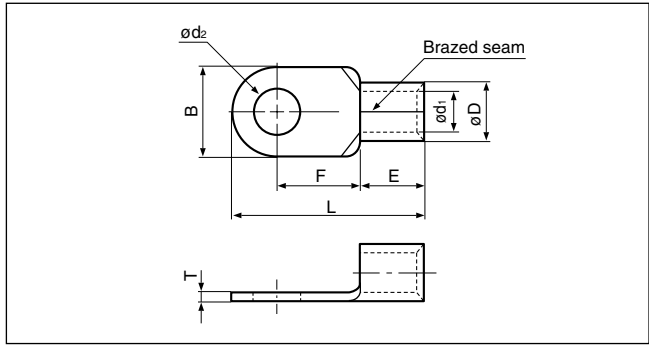
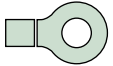


RING TONGUE (R type) Non-insulated



Applicable Wire AWG#(mm ²)	Stud size		Part No.	Standard	Dimensions mm (in.)								Tool No.	Qty/box	
	American	Metric			od ₂	B	L	F	E	øD	od ₁	T			
250/300 (117.2 to 152.05)	-	-	150-S0	UL UL100	-	36.0(1.417)	66.0(2.600)	23.0 (.906)	27.0 (1.063)	26.5 (1.043)	19.5 (.768)	3.2 (.126)	YPT-150-1 BCT-8150 YF-1 YET-150-1 E-4 YET-300-1 YET-300N	20	
	-	-	150-L0		-	36.0(1.417)	81.0(3.189)	36.0(1.417)							
	1/4	6	150-6		6.4 (.252)	36.0(1.417)	66.0(2.600)	23.0 (.906)							
	5/16	8	150-8		8.4 (.331)	36.0(1.417)	66.0(2.600)	23.0 (.906)							
	5/16	8	150-L8		8.4 (.331)	36.0(1.417)	81.0(3.189)	36.0(1.417)							
	3/8	9	150-9		9.8 (.386)	36.0(1.417)	66.0(2.600)	23.0 (.906)							
	3/8	10	*R150-10		UL UL100	10.5 (.413)	36.0(1.417)	66.0(2.600)							21.0 (.827)
	3/8	10	150-10		10.5 (.413)	36.0(1.417)	66.0(2.600)	23.0 (.906)							
	3/8	10	150-L10		UL UL100	10.5 (.413)	36.0(1.417)	81.0(3.189)							36.0(1.417)
	7/16	11	150-11		11.5 (.453)	36.0(1.417)	66.0(2.600)	23.0 (.906)							
	1/2	12	*R150-12	UL UL100	13.0 (.512)	36.0(1.417)	66.0(2.600)	21.0 (.827)							
	1/2	12	150-12	UL UL100	13.0 (.512)	36.0(1.417)	66.0(2.600)	23.0 (.906)							
	1/2	12	150-L12	UL UL100	13.0 (.512)	36.0(1.417)	81.0(3.189)	36.0(1.417)							
	1/2	14	*R150-14	UL UL100	15.0 (.591)	36.0(1.417)	68.0(2.677)	23.0 (.906)							
	5/8	16	150-16	UL UL100	17.0 (.669)	36.0(1.417)	66.0(2.600)	23.0 (.906)							
	5/8	16	*R150-16	UL UL100	17.0 (.669)	36.0(1.417)	68.0(2.677)	23.0 (.906)							
	5/8	16	150-L16	UL UL100	17.0 (.669)	36.0(1.417)	81.0(3.189)	36.0(1.417)							
	11/16	18	*R150-18	UL UL100	19.0 (.748)	36.0(1.417)	81.0(3.189)	36.0(1.417)							
	3/4	20	*R150-20	UL UL100	21.0 (.827)	36.0(1.417)	81.0(3.189)	36.0(1.417)							
	350 (152.05 to 192.60)	-	-	180-S0	UL UL100	-	38.5(1.516)	69.0(2.717)							24.5 (.965)
-		-	180-L0	-		38.5(1.516)	86.8(3.417)	39.0(1.535)							
5/16		8	180-8	8.4 (.331)		38.5(1.516)	69.0(2.717)	24.5 (.965)							
5/16		8	180-L8	8.4 (.331)		38.5(1.516)	86.8(3.417)	39.0(1.535)							
3/8		10	180-10	10.5 (.413)		38.5(1.516)	69.0(2.717)	24.5 (.965)							
3/8		10	180-L10	10.5 (.413)		38.5(1.516)	86.8(3.417)	39.0(1.535)							
7/16		11	180-11	11.5 (.453)		38.5(1.516)	69.0(2.717)	24.5 (.965)							
1/2		12	180-12	13.0 (.512)		38.5(1.516)	69.0(2.717)	24.5 (.965)							
1/2		12	180-L12	13.0 (.512)		38.5(1.516)	86.8(3.417)	39.0(1.535)							
1/2		14	180-14	15.0 (.591)		38.5(1.516)	69.0(2.717)	24.5 (.965)							
5/8	16	180-L16	17.0 (.669)	38.5(1.516)	86.8(3.417)	39.0(1.535)									
5/8	16	180-16	17.0 (.669)	38.5(1.516)	69.0(2.717)	24.5 (.965)									
11/16	18	180-18	19.0 (.748)	38.5(1.516)	86.8(3.417)	39.0(1.535)									
3/4	20	180-20	21.0 (.827)	38.5(1.516)	86.8(3.417)	39.0(1.535)									
7/8	22	180-22	23.0 (.906)	38.5(1.516)	86.8(3.417)	39.0(1.535)									
15/16	24	180-24	25.0 (.984)	38.5(1.516)	86.8(3.417)	39.0(1.535)									
1	27	180-27	28.0 (1.102)	38.5(1.516)	86.8(3.417)	39.0(1.535)									

- Note: 1) Products with the JIS mark conform to JIS C2805.
 2) Part numbers containing "S0" or "L0" do not have stud holes.
 3) Delivery lead times may vary depending on the product. Contact JST for details.
 4) The product with "*" marking contains JIS recognition number of JQID08002.



Applicable Wire AWG#(mm²)	Stud size		Part No.	Standard	Dimensions mm (in.)								Tool No.	Qty/box	
	American	Metric			ød ₂	B	L	F	E	øD	ød ₁	T			
400 (192.60 to 242.27)	-	-	200-S0	UL SP JIS	-	44.0(1.732)	72.0(2.835)	24.5 (.965)	31.5 (1.240)	32.7 (1.287)	24.0 (.945)	4.0 (.157)	YF-1 YET-300-1 E-4 YET-300N	10	
	-	-	200-L0		-	44.0(1.732)	91.0(3.583)	37.5(1.476)							
	12/16	8	200-8		8.4 (.331)	44.0(1.732)	72.0(2.835)	24.5 (.965)							
	5/16	8	200-L8		8.4 (.331)	44.0(1.732)	91.0(3.583)	37.5(1.476)							
	3/8	9	200-9		9.8 (.386)	44.0(1.732)	72.0(2.835)	24.5 (.965)							
	3/8	10	200-10		10.5 (.413)	44.0(1.732)	72.0(2.835)	24.5 (.965)							
	3/8	10	200-L10		10.5 (.413)	44.0(1.732)	91.0(3.583)	37.5(1.476)							
	7/16	11	200-11		11.5 (.453)	44.0(1.732)	72.0(2.835)	24.5 (.965)							
	1/2	12	200-12		13.0 (.512)	44.0(1.732)	72.0(2.835)	24.5 (.965)							
	1/2	12	*R200-12		UL SP JIS	13.0 (.512)	44.0(1.732)	78.0(3.071)							24.5 (.965)
	1/2	12	200-L12		UL SP	13.0 (.512)	44.0(1.732)	91.0(3.583)							37.5(1.476)
	1/2	14	200-14		UL SP	15.0 (.591)	44.0(1.732)	72.0(2.835)							24.5 (.965)
	1/2	14	*R200-14		UL SP JIS	15.0 (.591)	44.0(1.732)	78.0(3.071)							24.5 (.965)
	5/8	16	200-16		UL SP	17.0 (.669)	44.0(1.732)	72.0(2.835)							24.5 (.965)
	5/8	16	*R200-16		UL SP JIS	17.0 (.669)	44.0(1.732)	78.0(3.071)							24.5 (.965)
	5/8	16	200-L16		UL SP	17.0 (.669)	44.0(1.732)	91.0(3.583)							37.5(1.476)
	11/16	18	*R200-18		UL SP JIS	19.0 (.748)	44.0(1.732)	91.0(3.583)							37.5(1.476)
	3/4	20	*R200-20			21.0 (.827)	44.0(1.732)	91.0(3.583)							37.5(1.476)
7/8	22	*R200-22	23.0 (.906)	44.0(1.732)		91.0(3.583)	37.5(1.476)								
15/16	24	*R200-24	25.0 (.984)	44.0(1.732)		91.0(3.583)	37.5(1.476)								
1	27	*R200-27	28.0(1.102)	44.0(1.732)		91.0(3.583)	37.5(1.476)								
N.A. (250)	1/2	12	250-12	13.0 (.512)		44.0(1.732)	78.0(3.071)	24.5 (.965)	31.5 (1.240)	35.6 (1.402)	26.0 (1.024)	4.5 (.177)	YF-1 E-4 YET-300-1		
	1/2	14	250-14	15.0 (.591)											
	5/8	16	250-16	17.0 (.669)											
600/650 (242.27 to 325)	-	-	325-S0	UL SP JIS		-	50.5(1.988)	88.0(3.465)	33.5(1.319)	35.5 (1.398)	37.6 (1.480)	28.0 (1.102)	4.5 (.177)	YF-1 YET-300-1 E-4 YET-300N	5
	-	-	325-L0			-	50.5(1.988)	105.7(4.161)	45.0(1.772)						
	12/16	8	325-8			8.4 (.331)	50.5(1.988)	88.0(3.465)	33.5(1.319)						
	5/16	8	325-L8			8.4 (.331)	50.5(1.988)	105.7(4.161)	45.0(1.772)						
	3/8	10	325-10			10.5 (.413)	50.5(1.988)	88.0(3.465)	33.5(1.319)						
	3/8	10	325-L10			10.5 (.413)	50.5(1.988)	105.7(4.161)	45.0(1.772)						
	7/16	11	325-11			11.5 (.453)	50.5(1.988)	88.0(3.465)	33.5(1.319)						
	1/2	12	325-12			13.0 (.512)	50.5(1.988)	88.0(3.465)	33.5(1.319)						
	1/2	12	325-L12			13.0 (.512)	50.5(1.988)	105.7(4.161)	45.0(1.772)						
	1/2	14	325-14			15.0 (.591)	50.5(1.988)	88.0(3.465)	33.5(1.319)						
	5/8	16	325-16		17.0 (.669)	50.5(1.988)	88.0(3.465)	33.5(1.319)							
	5/8	16	R325-16		UL SP JIS	17.0 (.669)	50.5(1.988)	94.2(3.709)	33.5(1.319)						
	5/8	16	325-L16		UL SP	17.0 (.669)	50.5(1.988)	105.7(4.161)	45.0(1.772)						
	11/16	18	325-M18		UL SP	19.0 (.748)	50.5(1.988)	94.2(3.709)	33.5(1.319)						
	11/16	18	R325-18		UL SP JIS	19.0 (.748)	50.5(1.988)	105.7(4.161)	45.0(1.772)						
	3/4	20	R325-20			21.0 (.827)	50.5(1.988)	105.7(4.161)	45.0(1.772)						
	7/8	22	R325-22			23.0 (.906)	50.5(1.988)	105.7(4.161)	45.0(1.772)						
	15/16	24	R325-24			25.0 (.984)	50.5(1.988)	105.7(4.161)	45.0(1.772)						
1	27	R325-27	28.0(1.102)	50.5(1.988)		105.7(4.161)	45.0(1.772)								

Note: 1) Products with the JIS mark (JIS) conform to JIS C2805.
 2) Part numbers containing "S0" or "L0" do not have stud holes.
 3) Delivery lead times may vary depending on the product. Contact JST for details.
 4) The product with "*" marking contains JIS recognition number of JQID08002.

X-ON Electronics

Largest Supplier of Electrical and Electronic Components

Click to view similar products for [Terminals](#) category:

Click to view products by [JST](#) manufacturer:

Other Similar products are found below :

[HT-13-10](#) [71M-250-32-NB](#) [01-2065-1-0216](#) [00581P0075](#) [M10-10RX](#) [M10BCK](#) [60205-1](#) [604200-1](#) [60598-1-CUT-TAPE](#) [60617-1-C](#) [60873-1](#) [M14-516R/SK](#) [M14-6RSX](#) [M18-10FLX](#) [M18-8FBX](#) [M18-8R/LX](#) [M18BCK](#) [61314-6-C](#) [61-S](#) [61-SN-A](#) [62-NBM-A](#) [63-S](#) [640179-1](#) [640917-2-CUT-TAPE](#) [6501550002](#) [66107-2-C](#) [696683-1](#) [696834-1](#) [696861-1](#) [696931-1](#) [696999-1](#) [M8-516RK](#) [M86700006](#) [MA250DMFMX-A](#) [701-2007](#) [701-2307](#) [701-7761-03](#) [70F-110-32-PB](#) [718-N-A](#) [71M-187-20-NBL](#) [71M-250-32-NBL](#) [72F-187-20-NBL](#) [72M-250-32-NBL](#) [7310](#) [73F-250-32](#) [73F-250-32-NBL](#) [73F-250-32-NL](#) [F14-10C](#) [F-1M](#) [751-250](#)