

# Product data sheet

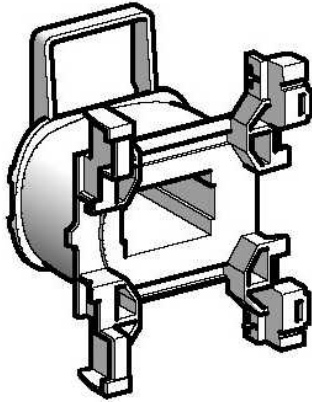
## Characteristics

# LXD1G7

TeSys D - contactor coil - LXD1 - 120 V AC 50/60 Hz for 9... 38 A contactor

Product availability: Stock - Normally stocked in distribution facility

Price\*: 26.20 USD



### Main

Commercial Status	Commercialised
Range of product	TeSys D TeSys D control relay
Product or component type	Contactor coil
Device short name	LXD1
Control circuit type	AC 50/60 Hz
Control circuit voltage	120 V AC 50/60 Hz
Average resistance	150.6 Ohm at 68 °F (20 °C)
Inductance of closed circuit	5.4 H
Product compatibility	CAD LC1D09...D38 LC1DT20...DT40
Mechanical durability	15 Mcycles
Operating rate	3600 cyc/h at <= 140 °F (60 °C)

### Complementary

Coil technology	Without built-in suppressor module
Control circuit voltage limits	0.85...1.1 Uc at 140 °F (60 °C) operational 60 Hz 0.8...1.1 Uc at 140 °F (60 °C) operational 50 Hz 0.3...0.6 Uc at 140 °F (60 °C) drop-out 50/60 Hz
Inrush power in VA	70 VA at 68 °F (20 °C) (cos φ 0.75) 50 Hz 70 VA at 68 °F (20 °C) (cos φ 0.75) 60 Hz
Hold-in power consumption in VA	7 VA at 68 °F (20 °C) (cos φ 0.3) 50 Hz 7.5 VA at 68 °F (20 °C) (cos φ 0.3) 60 Hz
Heat dissipation	2...3 W at 50/60 Hz

### Environment

Ambient air temperature for operation	23...140 °F (-5...60 °C)
Product weight	0.15 lb(US) (0.07 kg)

### Ordering and shipping details

Category	22341 - CONTACTOR,D,K,&F ACCESS
Discount Schedule	I12
GTIN	00785901214090
Nbr. of units in pkg.	1
Package weight(Lbs)	0.15
Product availability	Stock - Normally stocked in distribution facility
Returnability	Y
Country of origin	FR

### Contractual warranty

Period	18 months
--------	-----------

## X-ON Electronics

Largest Supplier of Electrical and Electronic Components

*Click to view similar products for [Industrial Relays](#) category:*

*Click to view products by [Schneider](#) manufacturer:*

Other Similar products are found below :

[6-1618400-7](#) [686-117111](#) [686-120111](#) [EV250-4A-02](#) [EV250-6A-01](#) [FCA-125-CX8](#) [FCA-410-138](#) [8-1618393-1](#) [GCA32A208VAC60HZ](#)  
[GCA32A220VAC50/60HZ](#) [GCA32A230VAC50/60HZ](#) [GCA32A240VAC50/60HZ](#) [GCA32A48VAC60HZ](#) [GCA63A120VAC50/60HZ](#)  
[GCA63A208VAC60HZ](#) [GCA63A220VAC60HZ](#) [GCA63A230VAC50/60HZ](#) [GCA63A240VAC50/60HZ](#) [GCA63A277VAC60HZ](#)  
[GCA63A48VAC60HZ](#) [GCA63A500VAC50/60HZ](#) [GCA63A600VAC60HZ](#) [GCA800A200VACDC](#) [GCA95A110VAC50/60HZ](#)  
[GCA95A120VAC50/60HZ](#) [GCA95A12VDC](#) [GCA95A240VAC50/60HZ](#) [GCA95A24VAC50/60HZ](#) [GCA95A48VAC60HZ](#) [ACC530U20](#)  
[ACC730U30](#) [1395832-1](#) [RM699BV-3011-85-1005](#) [RMIA210230AC](#) [RMIA45024AC](#) [1423675-8](#) [B07B032AC1-0329](#) [B329](#) [1617807-1](#)  
[N417](#) [P25-E5019-1](#) [P30C42A12D1-120](#) [2-1618398-1](#) [PBO-18A1218](#) [2307497](#) [RPYA00324LT](#) [RPYA003A120LT](#) [KR-4539-1](#)  
[RT334012WG](#) [S160156115](#)