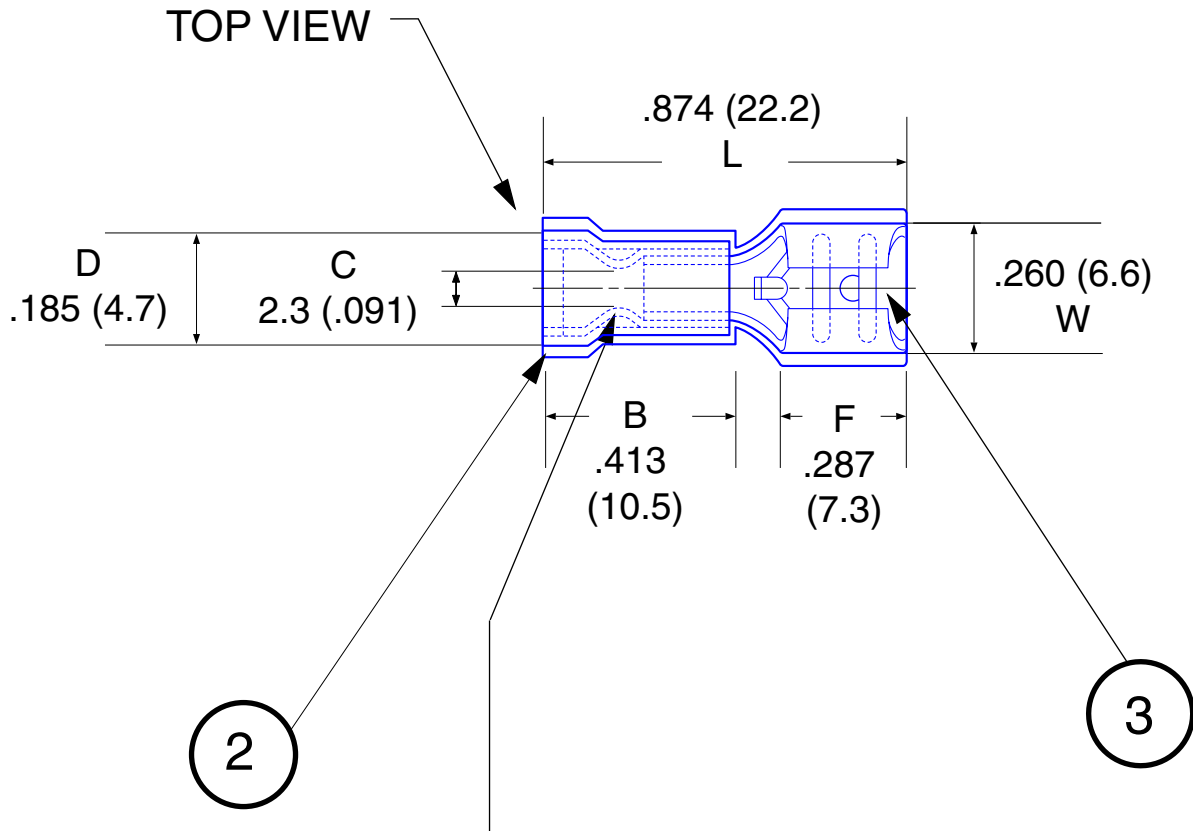


Fully Insulated Female Disconnect  
Part No: LVHDF1614T250A

SYM.	CHANGES	BY	DATE



TIN PLATED  
COPPER INSULATION  
SUPPORT SLEEVE

16/14 AWG

Thermal spec: 75° C  
Insulation Class: UL94V2  
Electrical Specs: 15 Amps, 300 Volts  
TOLERANCE ±.4  
Measurement units: inches (mm)

HOFFMAN CADFILE

NO.	1	2	3
NAME	CONNECTOR	INSULATOR	NEMA TAB
MAT'L.	BRASS	VINYL	.032 X .250 (.8 x 6.35)
REMARKS	TIN PLATED	BLUE	
APPROVED BY:	CHECKED BY:	DRAWN BY:	



**HOFFMAN PRODUCTS**

20700 Hubbell Avenue, Oak Park, MI 48237  
Tel: 1-800-645-2014 • Fax: 1-800-908-1295  
Web: www.hoffmanproducts.com

DATE:	TITLE: FULLY INSULATED FEMALE DISCONNECT	
SCALE: FREE	PART NO. LVHDF1614T250A	
DRAWING NO. H1526	PART NAME	ISSUE

## X-ON Electronics

Largest Supplier of Electrical and Electronic Components

*Click to view similar products for [hoffman manufacturer](#):*

Other Similar products are found below :

[A-1412CHQR](#) [CSD201610](#) [CSD20168SS](#) [CSD20206](#) [CSD20208SS](#) [CSD24168](#) [CSD36248](#) [CSD36308](#) [PCU7](#) [PDS76R](#) [PRA197TP](#) [PT126](#)  
[A1008CHNFSS](#) [A10106CH](#) [A10106CHFL](#) [A10106PHCW](#) [A1066JFGQRR](#) [A1210CHNF](#) [A1212SC](#) [A1412CHNFSS](#) [A161208LP](#)  
[A161410CH](#) [A16H12ALP](#) [A16P14](#) [A16P16G](#) [A18P16AL](#) [A20H16BLP](#) [A20P16](#) [A24H2408SSLP](#) [Q13138PCE](#) [A404CH](#) [A606CHNF](#)  
[A606NF](#) [A806SC](#) [A845JFGR](#) [A864CHQRFGW](#) [A90P36F1](#) [HJ1412HWPL2LG](#) [HJ1816HWPL2LG](#) [RHJ1210HWPL2LG](#) [AS125SS](#)  
[ASE10X10X4](#) [ASE12X12X4](#) [E1PBG](#) [E2PBG](#) [E3PB](#) [LED24V15](#) [LF230VD](#) [A10106PHC](#) [A10P8SS](#)