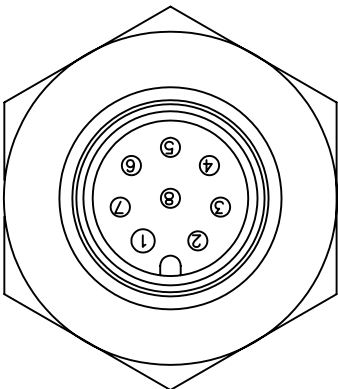
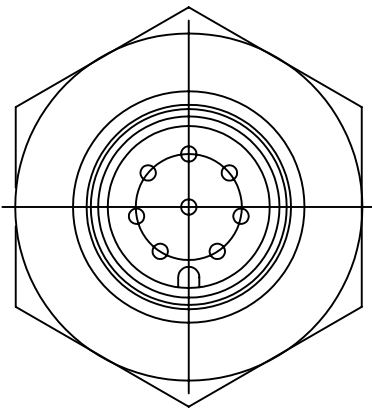
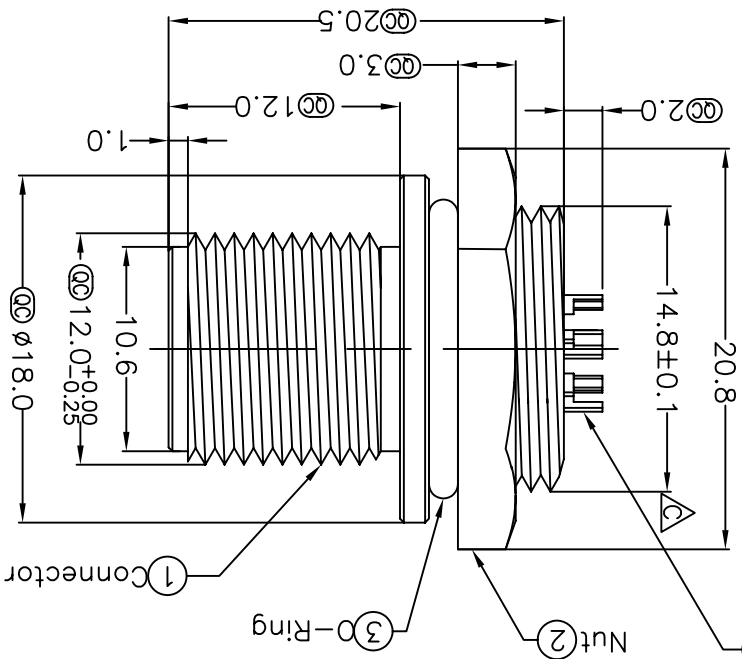
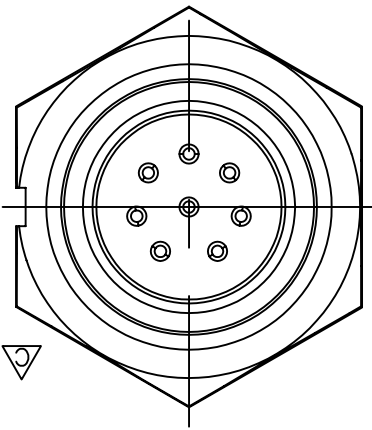
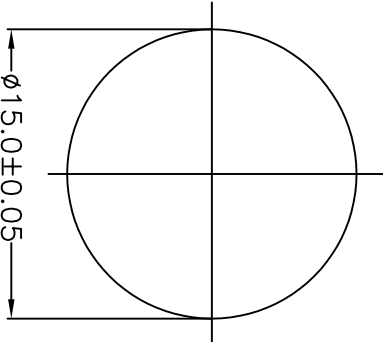


TOLERANCE X ±0.1 ±0.05 ±1		SCALE Free SHEET 1 OF 1		REV. C SIZE A4 Inspection Item		UNIT:mm 		TITLE M12.0 8Pin Female Sensor Connector	
ANGLE XXX X								LTW 亮泰企業股份有限公司	
ITEM NO LTWM12P-08PMS-SC		DRAWN BY Li Xiu Zhi		DATE 2009/08/11		CUSTOMER Luke		APPROVED BY Luke	
DWG NO LTWM12P-08PMS-SC		CHECKED BY Sunny		DATE 2009/08/22		DATE 2009/08/25		8 qp02c-01-01a2	

PIN ASSIGNMENTS
FRONT VIEW 前視圖



RECOMMENDED PANEL CUT-OUT



- Note:
- * Important Dimension.
 - * Connector: Nylon+GF, Black
 - * Nut: Nylon+GF, Black
 - * O-Ring: EPDM, Black
 - * Liquid Glue: Clear
 - * For Panel Thickness Max 2.2mm



THIS DOCUMENT IS SUBJECT TO CHANGE WITHOUT NOTICE. IT IS CONFIDENTIAL AND A PROPERTY OF LTW. DISCLOSURE TO THIRD PARTY HAS TO BE AUTHORIZED BY LTW.

REV. C	ECN NO. LE3-980102	DATE 2009/08/11	SIGN Li Xiu Zhi	DESCRIPTION Change View & Update Drawing
--------	--------------------	-----------------	-----------------	--



X-ON Electronics

Largest Supplier of Electrical and Electronic Components

Click to view similar products for [Standard Circular Connector](#) category:

Click to view products by [Amphenol](#) manufacturer:

Other Similar products are found below :

[C015](#) [10F006](#) [001](#) [1](#) [5M2530B10P](#) [600247N007](#) [600259N006](#) [600273N007](#) [600432N009](#) [6280-2PG-519](#) [6280-3PG-311](#) [6280-3SG-311](#)
[6280-7SG-3DC](#) [6280-7SG-522](#) [6282-5PG-311](#) [6282-6PG-519](#) [6282-8SG-311](#) [6283-11](#) [6283-15](#) [6290](#) [6382-2PG-311](#) [6382-2PG-3DC](#) [6382-2SG-321](#) [6382-2SG-3DC](#) [6382-4SG-516](#) [67-03E20-37P](#) [681-PMG](#) [CXS3102A14S2P](#) [CXS3102A181S](#) [CXS3106A14S6S](#) [MB12P-1](#)
[MB12R-6](#) [7251-2PG-300](#) [7251-2SG-300](#) [7251-4PG-300](#) [7251-4SG-300](#) [7251-5PG-300](#) [7251-5SG-300](#) [7251-6SG-300](#) [7251-7PG-300](#) [7251-8PG-300](#) [7271-6SG-300](#) [7282-3PG-300-CH3](#) [73000005663](#) [75-190011-03P](#) [75-190216-08S](#) [75-190218-10P](#) [75-214636-52P](#) [75-474118-10P](#)
[75-474211-03P](#) [75-474218-19S](#) [75-474618-01S](#) [75-474620-07P](#)