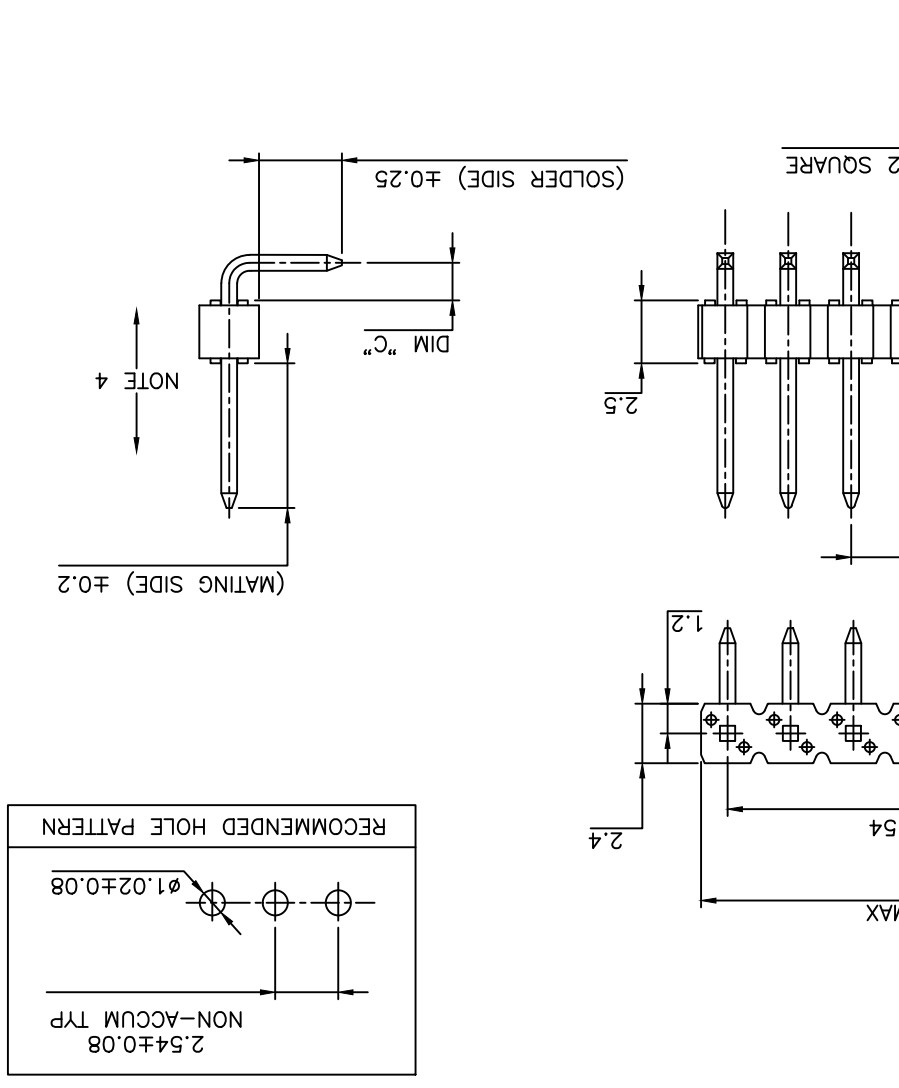


mat'l. code		surface	tolerance	projection	product family	UNSHR. HEADER		RA SR TMT		sheet 1 of 2 size			
SEE NOTES		ISO 1302	ISO 406 ISO 1101	ISO 100	BERGSTIK	mm		scale 5:1		drawing			
ltr ecn no		dr	date	linear	x ±0.3		x ±0.15		xxx ±0.05		Dwg no		
BB		F-26544	LMU	17.11.20	angles		linear		x ±0.3		77315		
AV		F-23462	LMU	16.03.07	D.L.E		JM.C		01.01.24		CUSTOMER		
AX		F-24328	AMA	16.06.17	engr		JM.C		01.01.24		type		
AY		F-25336	DDE	16.11.15	chr		JM.C		01.01.24		A3		
BA		F-25361	DDE	16.11.16	dppd		JF.N		01.01.24		revision		
sheet		revision		BB		AV		sheet		1		2	
index		sheet		1		2		1		2		1	



- PRODUCT NUMBER 77315-YXX-XXLF
- RoHS COMPATIBLE
- SEE NOTE 7
- TOTAL NB OF POSITIONS 01 TO 36
- PACKAGING, NOTE 3
- PIN STYLE SEE SHEET 2
- PLATING SEE SHEET 2
- NOTES:
- HOUSING MAT'L: HIGH TEMPERATURE THERMOPLASTIC. UL94V-0 COLOR: BLACK
 - PIN MATERIAL: PHOSPHOR BRONZE
 - PACKAGING:
 - PACKAGING POLYBAG
 - "V" BLIBOX PACK FOR CUSTOMER DEDICATED PART
 - "K" TAPE & REEL PACKAGING WITHOUT PICK UP CAP
 - 9N MIN RETENTION IN EITHER DIRECTION
 - TO DETERMINE DIMENSIONS:
 - N = NUMBER OF POSITIONS PER ROW
 - EXAMPLE: 8 POS N x 2.54 = 20.32mm
 - UNDERPLATING: 1.27µm Ni MIN
 - RoHS COMPATIBLE PRODUCT SPECIFICATIONS
 - PLATING:
 - "L" MEANS THE PRODUCT IS LEAD-FREE.
 - 2µm MINIMUM MATTE TIN OVER 1.27µm MINIMUM NICKEL UNDERPLATE.
 - MANUFACTURING PROCESS COMPATIBILITY
 - THE HOUSING WILL WITHSTAND EXPOSURE TO 260°C SOLDER BATH TEMPERATURE FOR 5 SECONDS IN A WAVE SOLDER APPLICATION WITH A 1.6mm MIN THICK CIRCUIT BOARD.
 - REFLOW COMPATIBLE
 - LABELING:
 - MEETS PACKAGING SPECS AS PER GS-14-920
 - LEGAL STATEMENT: SEE GS-47-0004

PRODUCT SPECIFICATIONS

PIN STYLE	MATING	SOLDER	DIM "C"
01	5.72	2.57	1.5
02	5.72	5.11	1.5
03	5.72	7.65	1.5
07	5.72	5.11	3.9
13	5.72	3.45	1.5
18	5.84	3.05	1.5
22	11.71	3.2	1.5
24	6.75	2.85	1.5
25	8.07	3.05	1.5
26	8.2	12.6	1.5
27	5	3.9	1.5
28	3.1	3.1	1.5
29	9.7	2.90	1.5
30	8.30	4.40	1.5
31	11.70	2.80	1.5
32	8.90	3.05	1.5
33	10.20	3.05	1.5
34	10.00	3.25	1.5
35	5.72	12.73	1.5
36	N/A		
37	N/A		
38	8.51	5.51	1.5
39	9.80	9.30	1.5
40	8.13	2.54	3.90
41	14.20	3.05	1.5
42	9.00	7.20	1.5
43	8.08	2.79	1.5
44	15.70	2.79	1.5
45	8.20	2.35	1.5
46	3.10	9.90	1.5
47	2.30	2.30	1.5
48	3.50	3.05	1.5
49	6.60	4.52	1.5
50	7.00	9.00	4.46

PLATING

1 = 0.76µm GOLD/GXT ON CONTACT AREA, 2µm TIN MIN ON TAIL

4 = 3µm-5µm TIN FULL PLATED REFLOW

5 = 0.25µm GOLD/GXT ON CONTACT AREA, 2µm TIN MIN ON TAIL

8 = 0.38µm GOLD/GXT ON CONTACT AREA, 2µm TIN MIN ON TAIL

6 = 0.76µm FULL GXT

5 = 0.38µm FULL GXT

- 1.27µm NICKEL MIN UNDERLAYER FOR ALL PLATING VERSIONS

mat'l. code	SEE NOTES	ISO 1302	surface	tolerance	ISO 406 ISO 1001	projection	product family	BERGSTIK
litr ecn no	dr date	tolerances unless otherwise specified	angles	linear	x #0.3	mm	UNSHR.HEADER	RA SR TMT
AP	F-23462	LMU	16.03,07					
AR	F-23551	LMU	16.03,21					
AS	F-24328	AMA	16.06,17					
AT	F-25336	DDE	16.11,15	dr	D.LE	01.01,24		
AU	F-25361	DDE	16.11,16	engr	JM.C	01.01,24		
AV	F-26544	LMU	17.11,20	chr	JM.C	01.01,24		
				ppd	JF.N	01.01,24		
sheet revision								
index sheet								

type	CUSTOMER	Drawing						
dwg no	77315	sheet 2 of 2	size	A3				
title	UNSHR.HEADER							
product family	BERGSTIK							
projection								
scale	Scale 5:1							



Copyright FCI

FCIconnect.com

X-ON Electronics

Largest Supplier of Electrical and Electronic Components

Click to view similar products for [Headers & Wire Housings](#) category:

Click to view products by [FCT Electronics](#) manufacturer:

Other Similar products are found below :

[95000-104TRLF](#) [10135584-644402LF](#) [DF62W-EP2022PCA](#) [95000-106TRLF](#) [DF62W-2022SCA](#) [DF62W-EP2022PC](#) [2203348](#) [DF62W-2022SC](#) [1084018](#) [1029039](#) [1084017](#) [802-10-012-10-002000](#) [1112640](#) [1112639](#) [891-007-9SS-BST1T](#) [000-34000](#) [0008550134](#) [0009482033](#) [0009507031](#) [57102-F02-18ULF](#) [57102-S06-03LF](#) [57202-S52-04LF](#) [PCN6-15S-2.5E](#) [0039019024](#) [58102-G61-06LF](#) [582553-1](#) [0009485154](#) [0009508121](#) [0022285053](#) [0050291907](#) [018731A](#) [LY20-4P-DT1-P1E-BR](#) [02.125.8002.8](#) [60101931](#) [60598-1 \(Cut Strip\)](#) [M1625-3R/100](#) [61062-3](#) [61082-181009](#) [CSU011177004](#) [636-1427](#) [638009-1](#) [641938-9](#) [641991-4](#) [644168-1](#) [644827-2](#) [647662-1](#) [65039-019ELF](#) [65692-001LF](#) [65781-018](#) [65781-047](#)