

PRODUCT NUMBER

77317-XXX-XXLF

WHEN REQUIRED, ADD SUFFIX LETTER "LF"  
INDICATES THE PRODUCT IS ROHS  
COMPATIBLE, SEE NOTE 7

TOTAL NB OF POSITIONS 04 TO 72

PIN STYLE SEE SHEET 2

PLATING SEE SHEET 2

NOTES:

1. HOUSING MAT'L : HIGH TEMPERATURE  
THERMOPLASTIC. UL94V-0 COLOR: BLACK

2. PIN MATERIAL : PHOSPHOR BRONZE

3. PRODUCT PACKAGED IN POLY BAGS.

4. 9N MIN RETENTION IN EITHER DIRECTION

5. TO DETERMINE DIMENSIONS :

N = NUMBER OF POSITIONS PER ROW  
EXAMPLE : 8 POS N x 2.54 = 20.32mm

6. UNDERPLATING : 1.27µm N! MIN

7. ROHS COMPATIBLE PRODUCT SPECIFICATIONS

a - PLATING:

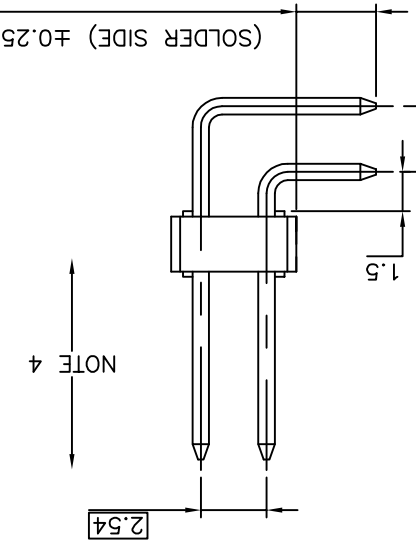
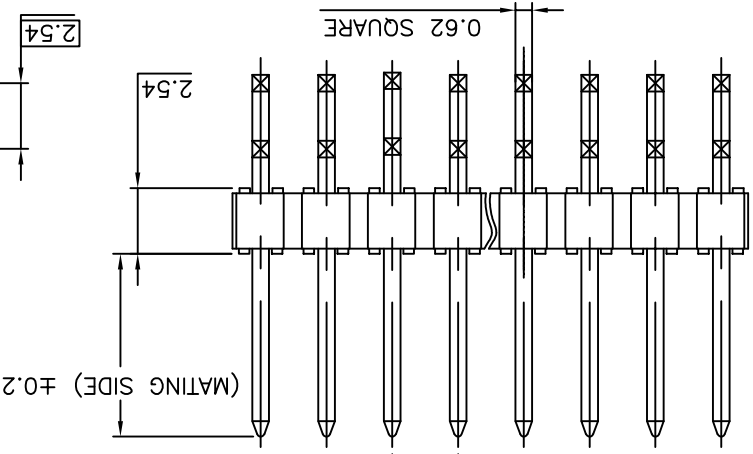
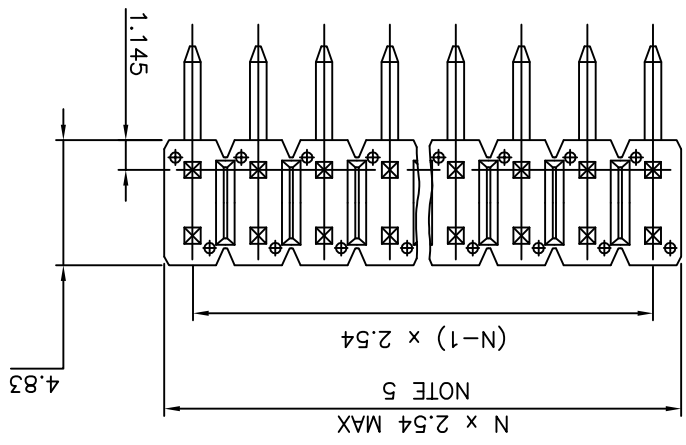
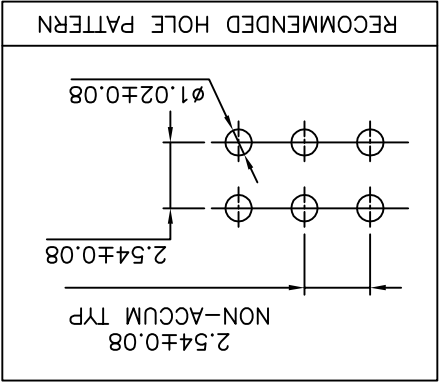
- "LF" MEANS THE PRODUCT IS LEAD-FREE,  
2µm MINIMUM MATTE TIN OVER 1.27µm  
MINIMUM NICKEL UNDERPLATE.

b - MANUFACTURING PROCESS COMPATIBILITY

- THE HOUSING WILL WITHSTAND EXPOSURE TO  
260°C ±5°C SOLDER BATH TEMPERATURE FOR  
5 SECONDS IN A WAVE SOLDER APPLICATION  
WITH A 1.6mm MIN THICK CIRCUIT BOARD.

c - LABELING:

- MEETS PACKAGING SPECS AS PER GS-14-920  
- LEGAL STATEMENT: SEE GS-22-008



NOTE 4

mat'l. code		surface		tolerance		projection		product family		BERGSTIK		
SEE NOTES		ISO 1302		ISO 406 ISO 1101		ISO 1101		UNSHR. HEADER		RA DR TMT		
lfr		ecn no		dr		date		tolerances unless otherwise specified		title		
AA	F04-0167	JCO	04.04.05	angles				mm		UNSHR.HEADER		
AB	F04-0362	LMU	04.11.29	linear	.XX ±0.15			mm		UNSHR.HEADER		
AC	F06-0207	LMU	06.07.27		XXX ±0.05			scale 5:1		UNSHR.HEADER		
AD	F06-0263	LMU	06.10.27	dr	D.LE	01.01.24	01.01.24		01.01.24		01.01.24	
AE	F08-0148	RTR	08.03.31	engr	J.M.C	01.01.24	01.01.24		01.01.24		01.01.24	
AF	F09-0212	LMU	09.11.03	chr	J.M.C	01.01.24	01.01.24		01.01.24		01.01.24	
AG	F11-0320	LMU	12.01.25	appd	J.F.N	01.01.24	01.01.24		01.01.24		01.01.24	
sheet	revision	AG	AE	1	2	index		sheet		index		

type		CUSTOMER Drawing		sheet 1 of 2 size		A3		77317		77317	
dwg no		sheet 1 of 2 size		A3		77317		77317		77317	

PLATING

1 = 0.76µm GOLD/GXT ON CONTACT AREA 3.81µm TIN-LEAD ON TAIL  
 4 = 3.81µm TIN-LEAD ON CONTACT AREA 3.81µm TIN-LEAD ON TAIL  
 8 = 0.38µm GOLD/GXT ON CONTACT AREA 3.81µm TIN-LEAD ON TAIL  
 G = 0.76µm FULL GXT  
 S = 0.38µm FULL GXT

- 1.27µm NICKEL MIN UNDERLAYER FOR ALL PLATING VERSIONS  
 - WHEN "F" IS REQUIRED, 2µm MATTE TIN OVER 1.27µm MIN NICKEL  
 PROVIDED INSTEAD OF TIN-LEAD

PRODUCTS SPECIFICATIONS		
PIN STYLE	MATING	SOLDER
01	5.72	2.57
03	5.84	2.54
04	5.84	3.05
12	6.80	3.05
14	10.00	2.70
15	7.00	16.40
16	7.80	13.50
17	7.48	1.60
18	8.80	2.90
19	2.60	2.60
20	N/A	
21	10.89	3.05

mat'l. code		SEE NOTES		ISO 1302	surface	tolerance	ISO 406 ISO 1101	projection	product family	BERGSTIK
lfr	ecrn no	dr	date	tolerances unless otherwise specified				title	UNSHR.HEADER	
X	F04-0362	LMU	04.11.29	angles	linear	X ±0.3	mm	scale 5:1	RA DR TMT	
AA	F06-0207	LMU	06.07.27	angles	linear	.XX ±.015	mm	scale 5:1	RA DR TMT	
AB	F06-0263	LMU	06.10.27	angles	linear	.XX ±0.05	mm	scale 5:1	RA DR TMT	
AC	F08-0148	RTR	08.03.31	dr	D.LE	01.01.24	01.01.24	01.01.24	dwg no	sheet 2 of size
AD	F09-0212	LMU	09.11.03	engr	J.M.C	01.01.24	01.01.24	01.01.24	type	CUSTOMER Drawing
AE	F11-0320	LMU	12.01.25	chr	J.M.C	01.01.24	01.01.24	01.01.24	type	CUSTOMER Drawing
sheet	revision									
index	sheet									

## X-ON Electronics

Largest Supplier of Electrical and Electronic Components

*Click to view similar products for [Headers & Wire Housings](#) category:*

*Click to view products by [FCT Electronics](#) manufacturer:*

Other Similar products are found below :

[95000-104TRLF](#) [10135584-644402LF](#) [DF62W-EP2022PCA](#) [95000-106TRLF](#) [DF62W-2022SCA](#) [DF62W-EP2022PC](#) [2203348](#) [DF62W-2022SC](#) [1084018](#) [1029039](#) [1084017](#) [802-10-012-10-002000](#) [1112640](#) [1112639](#) [891-007-9SS-BST1T](#) [000-34000](#) [0008550134](#) [0009482033](#) [0009507031](#) [57102-F02-18ULF](#) [57102-S06-03LF](#) [57202-S52-04LF](#) [PCN6-15S-2.5E](#) [0039019024](#) [58102-G61-06LF](#) [582553-1](#) [0009485154](#) [0009508121](#) [0022285053](#) [0050291907](#) [018731A](#) [LY20-4P-DT1-P1E-BR](#) [02.125.8002.8](#) [60101931](#) [60598-1 \(Cut Strip\)](#) [M1625-3R/100](#) [61062-3](#) [61082-181009](#) [CSU011177004](#) [636-1427](#) [638009-1](#) [641938-9](#) [641991-4](#) [644168-1](#) [644827-2](#) [647662-1](#) [65039-019ELF](#) [65692-001LF](#) [65781-018](#) [65781-047](#)