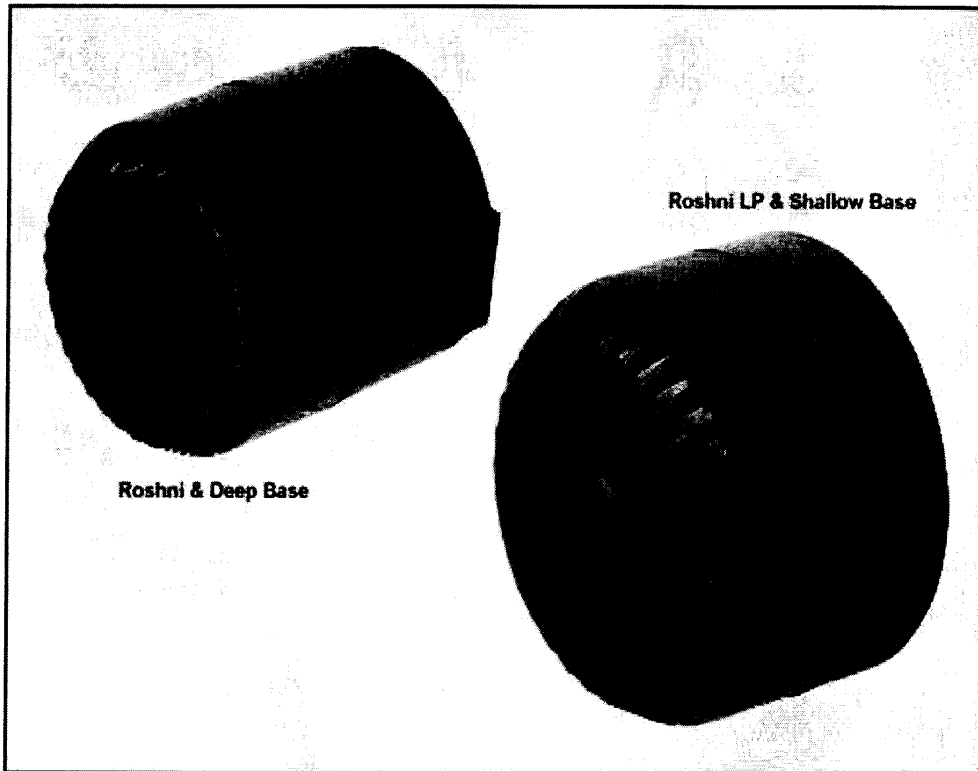


**DATASHEETS**

## Roshni Electronic Sounders



### Roshni LP

The Roshni range of electronic sounders has become the industry standard for use within fire alarm, intruder and industrial signalling systems. Designed for reliability in operation, the Roshni LP is a high specification wall mounting sounder suitable for signalling within open areas or corridors and passages. The rugged low profile casing and encapsulated electronics provide a high level of durability and resistance to environmental conditions. With thirty two signal tones available the Roshni LP is compatible with the majority of fire and emergency signalling tones in use throughout the world.

A choice of three base formats to suit different installation techniques and anti-tamper versions coupled with beacons and beacon sounders in compatible formats make the Roshni sounder range the most versatile and flexible available.

- **ONLY 63mm DEEP**
- **HIGH SOUND OUTPUT, UP TO 111dB(A)**
- **LOW CURRENT CONSUMPTION**
- **32 ALARM TONES SELECTABLE**
- **SECOND TONE FOR TWO STAGE ALARMS**
- **12V DC AND 24V DC OPERATION WITHOUT ADJUSTMENT**
- **SYNCHRONISED**

## SIARI

- VOLUME CONTROL
- IP65 PROTECTION WITH DEEP OR "U" BASE
- AVAILABLE IN RED OR WHITE MOULDING
- VERSIONS APPROVED TO CNPP, VdS, & prEN54-3

## Roshni Range Specification

### Roshni/Roshni LP Sounders

As a value for money, high output, durable sounder, the Roshni LP is widely accepted as the industry standard choice amongst specifiers, installers and distributors alike.

Roshni sounders provide an automatic synchronised start when operated on the same circuit and have excellent frequency stability which provides enhanced signal clarity on multi-sounder systems.

The Roshni LP has a range of 32 tones which are switch selectable during installation. Sounders are supplied with switch settings to customer requirements, but where no particular tone is specified the sounders are set to comply with the requirements of BS 5839 Part 1 :1988 (tone 3 in the tone table).

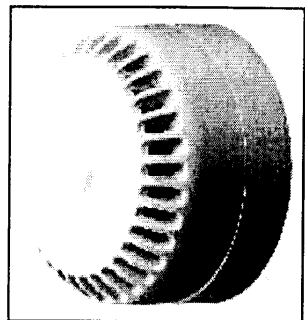
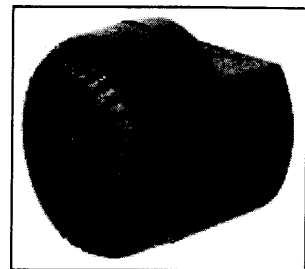
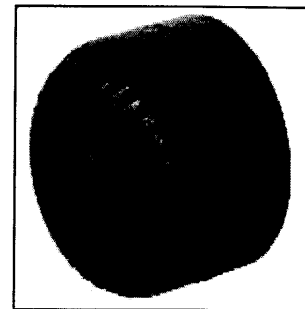
A second tone is available, which can be switched in by the connection of a third core to the sounders. The second tone provided is specified in the tone table.

To ease installation all terminations are duplicated to provide loop-in and out facilities. When fitted to a deep or "U" base the units are weatherproof to IP 65.

The wide operating voltage allows the Roshni LP to be used on 12Vdc or 24Vdc systems without modification. A 9 to 30Vac sounder is also available on request.

### Roshni Bases

Three designs of mounting base are available to facilitate different wiring methods. The shallow base is normally used for flush wiring whereas the deep base and 'U' bases are used for surface wiring and have the facility for 20mm dia. conduit entry. All bases have the unique bayonet action for ease of installation and are interchangeable with other products in the range, such as Flashnis and Xenon Beacons. The deep base and 'U' bases are also available as lockable versions, where a special tool is required to remove the sounder, offering improved system security by preventing unauthorised access.





## Roshni Mains Operated

A mains operated version working between 110Vac and 240Vac at 50 / 60Hz is available, and is supplied with a lockable base only.

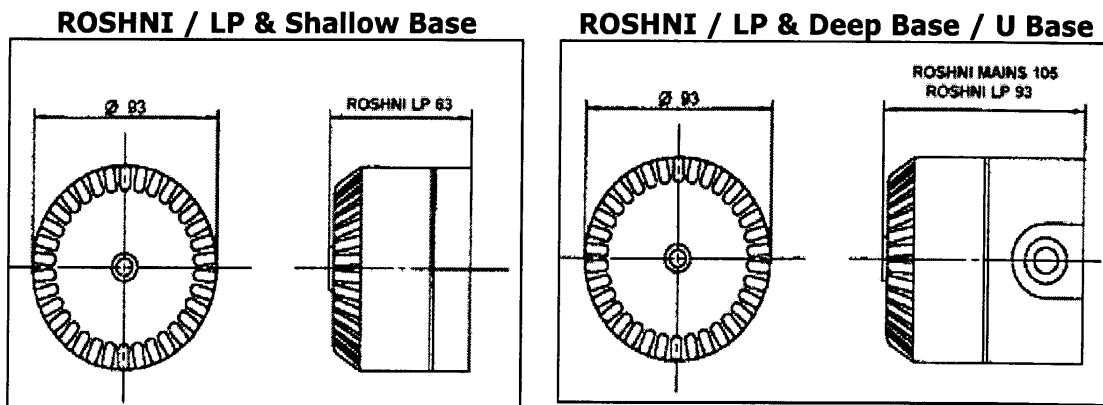
## Roshni Anti-Tamper

Intended primarily for use in security systems the anti-tamper version of the Roshni is suitable for situations where malicious removal of the sounder may be a problem and can be monitored remotely. The facility is provided by a microswitch incorporated into the sounder which operates on removal from a shallow base. The microswitch has separate terminals which can be linked to the monitoring loop of a control panel.

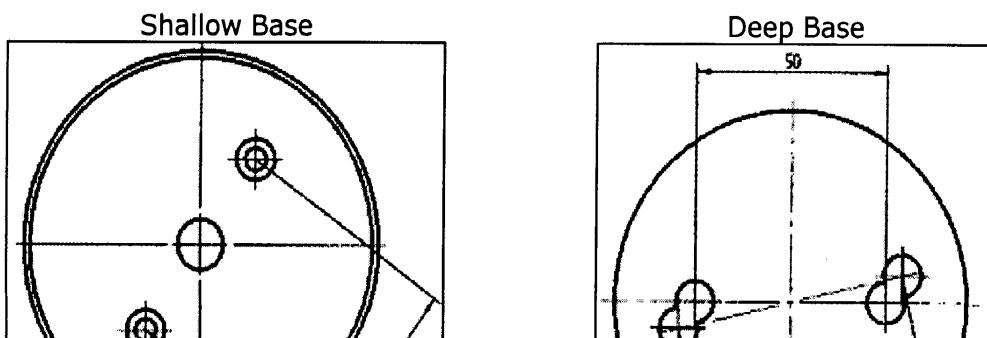
## Intrinsically Safe Roshni

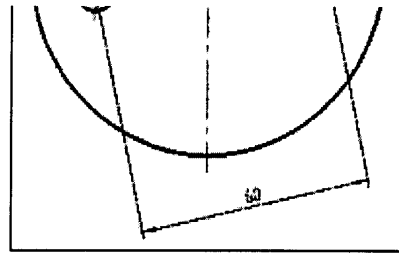
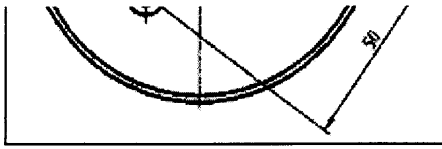
The intrinsically safe Roshni has been designed to cope with the harsh environmental conditions found offshore and onshore in the oil, gas and petrochemical industries. The unit is BASEEFA certified, suitable for Zone 0 use and is available in two models, 12Vdc only (DB5 1NR) and 12/24Vdc (DB5 2NR). For the full specification and details please see separate Hazardous Area brochure reference FS112.

## Roshni Range Specification

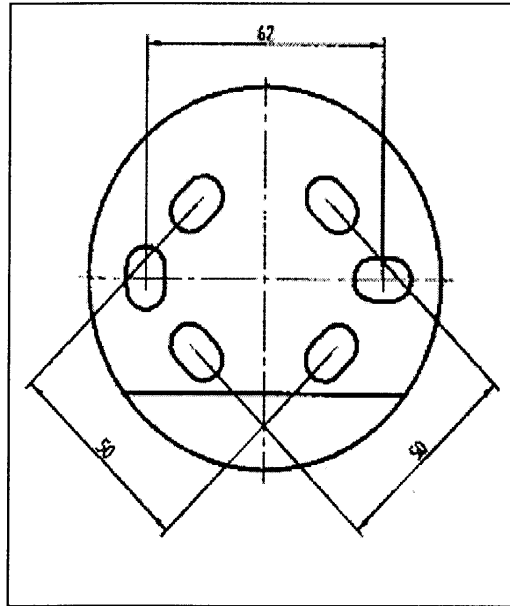


### Base Fixing Details





U-Base



Model	Roshni LP	Roshni Mains
Operation	Continuous	Continuous
Operating Voltage Range	9 - 28Vdc	110 - 240Vac
Sound Output	See Tone Table	100dB(A) (240Vac)
Current Consumption	See Tone Table	35mA (at 240Vac)
Tones	1 to 32 on Table	1 to 28 on Table
Starting Current	30mA for 2ms	N/A
Synchronisation	Synchronised start	Synchronised start
Frequency Stability	+/- 0.15%	+/- 0.15%
Operating Temperature	-25°C to +80°C	-20°C to +55°C
Line Monitoring	Reverse polarity	N/A
Construction	ABS	ABS
Ingress Protection		
Shallow base	IP54	N/A
Deep base	IP65	IP65

"U" base	IP65	IP65
Weight		
Shallow base	0.24kg	N/A
Deep base	0.26kg	0.31kg
"U" base	0.26kg	0.31kg
Dimensions		
Shallow base	93mm dia x 63mm deep	N/A
Deep base	93mm dia x 93mm deep	93mm dia x 105mm deep
"U" base	93mm dia x 93mm deep	93mm dia x 105mm deep

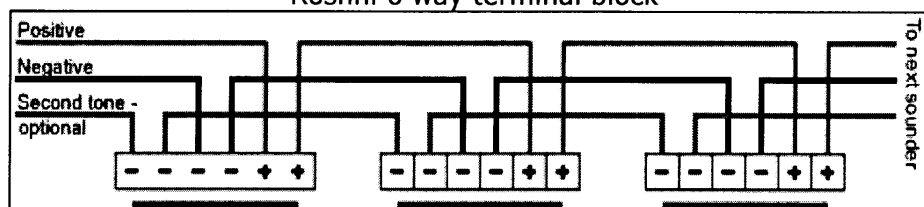
## Roshni LP Specification

No.		2nd Tone	Code 12345	Description	Typical current (average mA)		Typical sound* output +/- 2dB (A) at 1m	
					12V	24V	12V	24V
1	Alternating Tones 800/970 at 2 Hz	14	11111	BS5839 Part 1 1988	8	16	94	101
2	Sweeping 800/970 Hz at 7 Hz	14	11110	Fast Sweep (LF) BS5839 Part 1 1988	8	16	95	102
3	Sweeping 800/970 Hz at 1 Hz	14	11101	Medium Sweep (LF) BS5839 Part 1 1988	8	16	96	102
4	Continuous at 2850 Hz	14	11100		14	30	105	111
5	Sweeping 2400-2850 Hz at 7 Hz	4	11011	Fast Sweep	16	28	104	111
6	Sweeping 2400-2850 Hz at 1 Hz	4	11010		15	28	104	111
7	Slow Whoop 500-1200 Hz 3s on 0.5 off	14	11001	Slow Whoop	10	18	93	99
8	Sweep 1200-500 Hz at 1 Hz	14	11000	Din Tone	7	14	92	99
9	Alternating Tones 2400/2850 2 Hz	4	10111		17	28	103	110
10	Intermittent Tone of 970 Hz at 1Hz	14	10110	Back-up Alarm (LF) BS5839 Part 1 1988	7	10	94	101

11	Alternating Tones 800/970 Hz at 1Hz	14	10101	BS5839 Part 1 1988	8	16	94	101
12	Intermittent Tone at 2850 Hz at 1Hz	4	10100	Back-up Alarm (HF)	12	22	103	110
13	Intermittent 970 Hz 0.25s on 1s off	14	10011	BS5839 Part 1 1988	3	6	90	97
14	Continuous at 970 Hz	14	10010	BS5839 Part 1 1988	9	18	95	102
15	Alternating 554 Hz for 100 ms / 440 Hz for 400ms	14	10001	French Fire Sound	5	10	88	94
16	Intermittent 660 Hz 150ms On/150 ms Off	16	10000	Swedish Alarm Tone	4	7	81	87
17	Intermittent 660 Hz 1.8s On/1.8s Off	17	01111	Swedish Alarm Tone	5	10	84	89
18	Intermittent 660 Hz 6.5s On/13s Off	18	01110	Swedish Alarm Tone	6	12	84	89
19	Continuous 660 Hz	19	01101	Swedish Alarm Tone	6	12	84	90
20	Alternating 554/440 Hz at 1 Hz	20	01100	Swedish Alarm Tone	5	11	91	97
21	Intermittent 660 Hz at 1 Hz	21	01011	Swedish Alarm Tone	4	8	82	88
22	Intermittent 2850 Hz 150 ms On/100 ms Off	14	01010	Pelican Crossing	11	20	102	110
23	Sweep 800-970 Hz at 50 Hz	14	01001	Low Frequency Buzz BS5839 Part 1 1988	8	16	96	102
24	Sweep 2400-2850 Hz at 50 Hz	4	01000	High Frequency Buzz	12	23	104	111
25	Intermittent 970Hz 500ms On/500ms Off	25	00111	ISO 8201 Low Frequency BS5839 Part 1 1988	7	12	93	100
26	Intermittent 2850Hz 500ms On/500ms Off	26	00110	ISO 8201 High Frequency	10	18	102	109
27	Continuous at 4kHz	27	00101		16	33	76	84
28	Alternating tones 800/970 at 2Hz	10	00100	FP1063.1 - telecoms	8	15	94	101
29	Alternating tones 988/645 at 2Hz	988Hz	00011	Symphoni tones	13	19	93	100
30	Alternating 510/610 at 1Hz	510Hz	00010	Squashni micro	9	13	92	97
31	Sweeping 300-1200 at 1Hz	31	00001		13	19	91	97
32	Continuous at 4kHz	27	00101		16	33	76	84

\* When tested in fully anechoic conditions to prEN54-3. In practical semi-reverberant conditions outputs may be upto 5dB(A) higher dependant on the tone employed.

Roshni 6 way terminal block





#### ORDERING CODES

\_\_\_\_/\_\_\_\_/\_\_\_\_/\_\_\_\_

#### EXAMPLE: ROLP/R/S/3

Roshni LP - Red moulding / shallow base / Tone 3

_____	<b>L</b>	- Lockable base
_____ _____	<b>A</b>	- Anti-tamper switch*
_____ _____ _____	<b>M</b>	- Mains operation 110/240V AC 50Hz*
_____ _____ _____ _____	<b>nn</b>	- Tone number
_____ _____ _____ _____ _____	<b>S, D, or U</b>	- Shallow, Deep or 'U' base
_____ _____ _____ _____ _____ _____	<b>R or W</b>	- Red or White ABS moulding
_____ _____ _____ _____ _____ _____ _____	<b>ROLP</b>	- Roshni LP

#### \* Notes

- 1) Mains & Anti-tamper have tones 1-28 and are in the deeper housing.
- 2) Anti-tamper available with shallow base only

Issue 1-2000

We reserve the right to change, without prior notice, the specification of these products from that detailed. Data shown is typical for operation under normal ambient conditions.

### FULLEON LTD

Llantarnam Park, Cwmbran, Gwent NP44  
3AW.

Tel: +44 (0) 1633 872131 Fax: +44 (0)  
1633 866346

E-mail: [sales@fulleon.co.uk](mailto:sales@fulleon.co.uk) URL:

<http://www.fulleon.co.uk/>



◀ Back to Contents

## **X-ON Electronics**

Largest Supplier of Electrical and Electronic Components

*Click to view similar products for [fulleon](#) manufacturer:*

Other Similar products are found below :

[SYHO/R](#) [1320-24](#) [ROLP/R/MAINS BASE](#) [FL/AL/W/S](#) [CFB6D24](#) [ROLP/SV/W/D](#) [FL/SV/AL/W/D](#) [531036FULL-0073](#) [FL/SV/RL/R/D](#)  
[666156FULL-1101X](#) [ROLP/SV/R/S](#) [AP/W/SWITCHED/VC](#)