

RoLP

STANDARD SOUNDER

The Roshni Low Profile (RoLP) is the fire alarm markets leading conventional sounder, although it finds uses in much wider applications such as security, general signalling and process alarms. The wide operating voltage and range of tones available to the user make this flexible sounder supremely adaptable in even its most basic forms.

- HIGH SOUND OUTPUT
- LOW CURRENT CONSUMPTION
- 32 TONES (USER SELECTABLE)
- AUTOMATIC SYNCHRONISATION
- VOLUME CONTROL
- SECOND TONE FOR TWO STAGE ALARMS
- LOCKABLE BASE
- SUITABLE FOR OUTDOOR USE

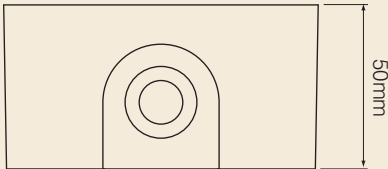
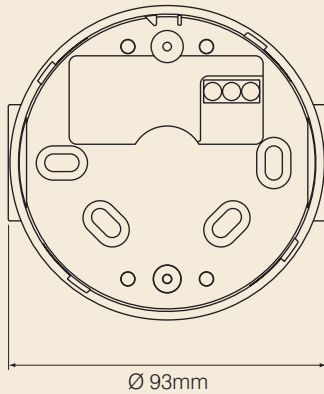
Specification

Voltage	9 - 28Vdc (*1)
Current	16mA (Typical Tone 3)
Sound Output	102dB(A) (Typical Tone 3)
Tones	32
Volume Control	20dB
Monitoring	Reverse polarity
Temperature	- 25°C to + 70°C
Protection	IP54 (s)* IP65 (d)*
Construction	ABS
Weight	0.25Kg
Colours	Red or white

(*1) 110 to 230Vac with powered base

(s)* Shallow Base

(d)* Deep / U Base



Specification

Voltage	110 - 230Vac
Current	100mA
Temperature	- 10°C to + 55°C
Protection	IP65
Construction	ABS, FR
Weight	0.1Kg
Colours	Red or white

Powered Base

The Powered Deep Base incorporates a small 24Vdc supply that allows any of the compatible Fulleon sounders and beacons to be operated from 110 or 230Vac supplies. This allows the installer much greater flexibility in the use of products and their applications

- WIDE INPUT VOLTAGE RANGE
- UP TO 100mA OUTPUT
- SUITABLE FOR EXTERNAL USE
- COMPATIBLE WITH:
 - ROLP
 - ROLP SOLISTA
 - FLASHNI
 - SOLEX 3/10
 - SOLISTA

X-ON Electronics

Largest Supplier of Electrical and Electronic Components

Click to view similar products for [fulleon](#) manufacturer:

Other Similar products are found below :

[SYHO/R](#) [1320-24](#) [ROLP/R/MAINS BASE](#) [FL/AL/W/S](#) [CFB6D24](#) [ROLP/SV/W/D](#) [FL/SV/AL/W/D](#) [531036FULL-0073](#) [FL/SV/RL/R/D](#)
[666156FULL-1101X](#) [ROLP/SV/R/S](#) [AP/W/SWITCHED/VC](#)