

# MODULAR CONNECTORS

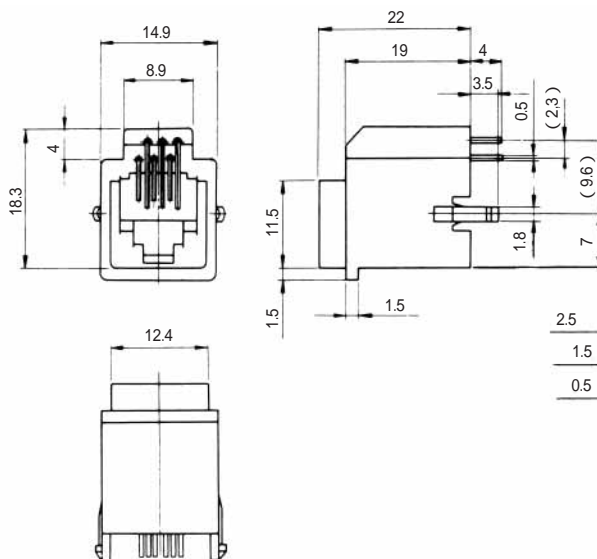
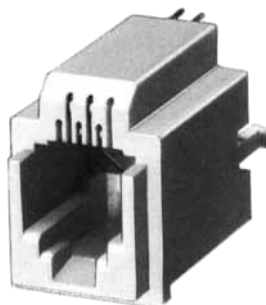
Dip Type

CL 222 TM

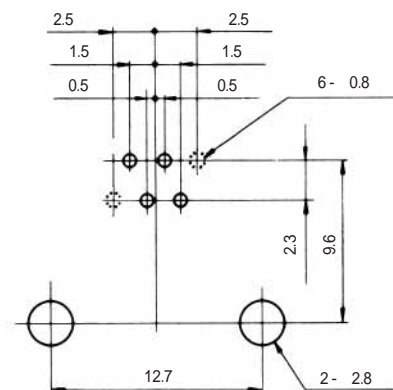
Straight Dip Type

TM3R-6-\*(50)

CL No.	Part No.	RoHS
222-0114-3-50	TM3R-66(50)	YES
222-0071-2-50	TM3R-64(50)	



PCB mounting hole layout  
(Connector mounting side)

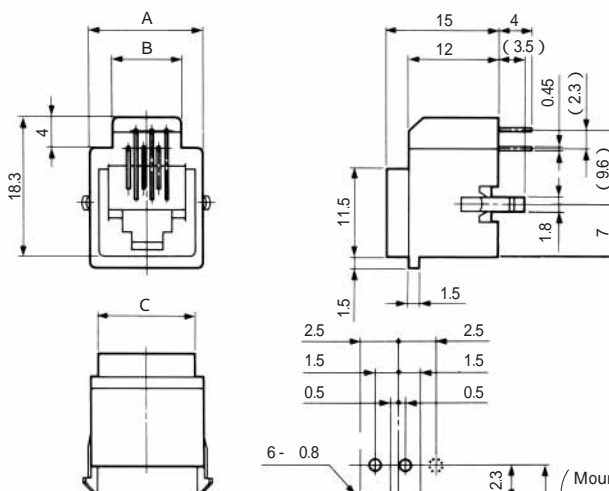
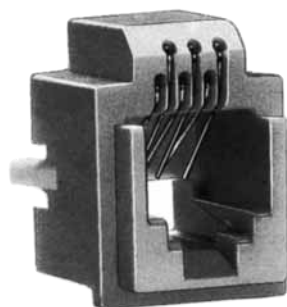


Note1: Standard finish color is vanilla white.

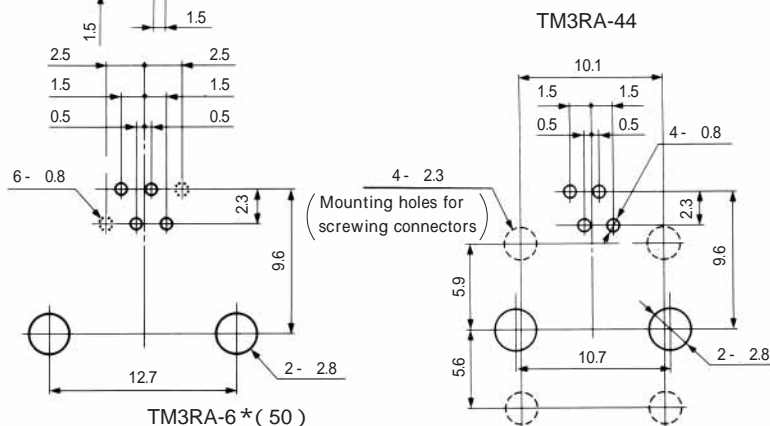
Note2: The drawing is shown sample of TM3R-66(50).

TM3RA-\*(50)

CL No.	Part No.	A	B	C	RoHS
222-0521-7-50	TM3RA-44(50)	12.9	6.9	10.4	YES
222-0567-8-50	TM3RA-62(50)	14.9	8.9	12.4	
222-0584-7-50	TM3RA-64(50)	14.9	8.9	12.4	
222-0770-1-50	TM3RA-66(50)	14.9	8.9	12.4	



PCB mounting hole layout  
(Connector mounting side)



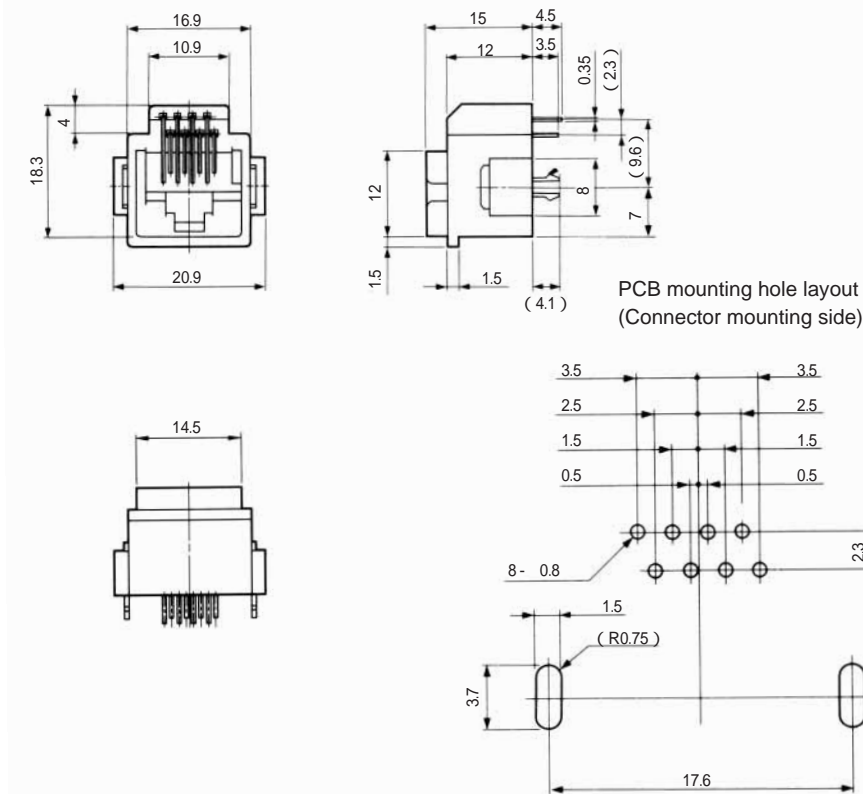
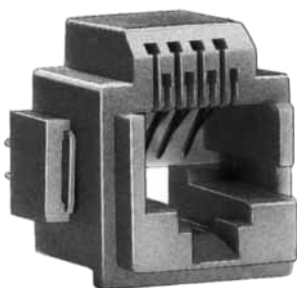
Note1: Standard finish color is vanilla white.

Note2: The drawing is shown sample of TM3RA-66(50).

# MODULAR CONNECTORS

CL 222 TM

## TM3RA-88( 50 )



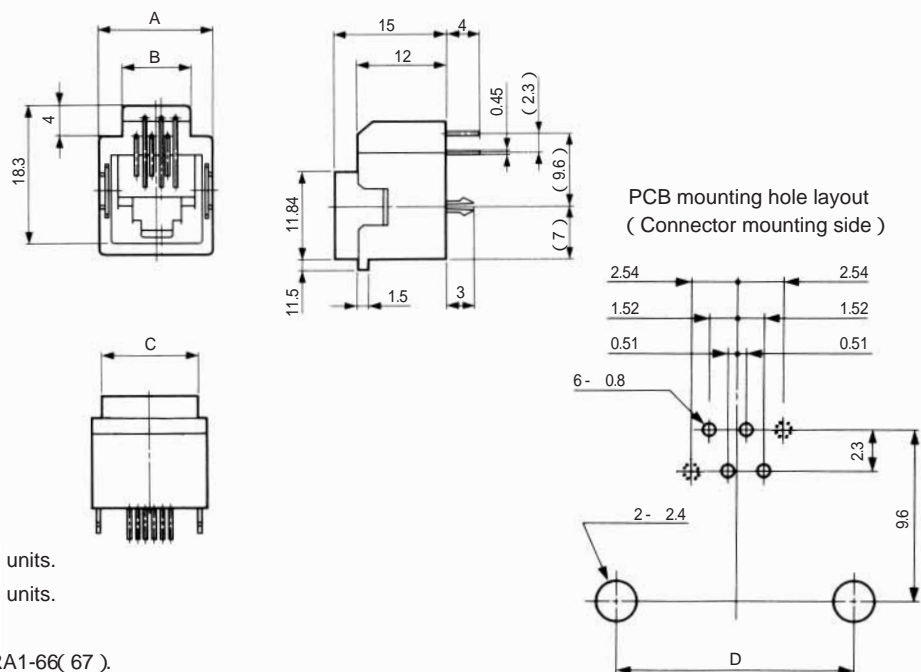
CL No.	Part No.	RoHS
222-1012-9-50	TM3RA-88( 50 )	YES

Note1: ( 50 )Stick packaging... 27 units.

Note2: Standard finish color is vanilla white.

## TM3RA1- \* \*( \* \* )

CL No.	Part No.	A	B	C	D	RoHS
222-1374-0-67	TM3RA1-44( 67 )	12.9	6.9	10.4	11	YES
222-1375-2-60	TM3RA1-62( 60 )	14.9	8.9	12.4	13	
222-1376-5-67	TM3RA1-64( 67 )	14.9	8.9	12.4	13	
222-1377-8-67	TM3RA1-66( 67 )	14.9	8.9	12.4	13	



Note1:( 67 )Stick packaging, type 44 .... 42 units.  
 type 6 \* ... 36 units.

Note2: Standard finish color is black.

Note3: The drawing is shown sample of TM3RA1-66( 67 ).

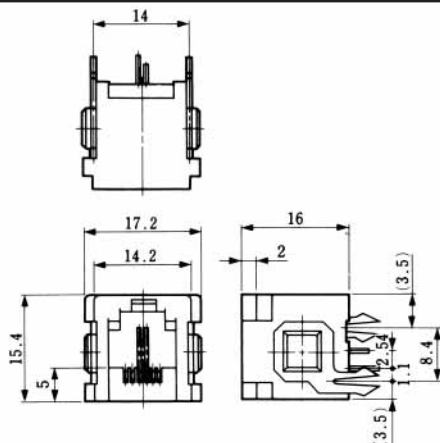
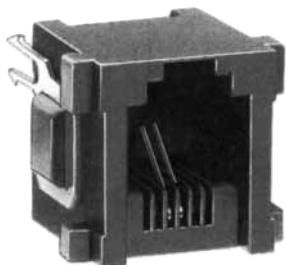
# MODULAR CONNECTORS

CL 222 TM

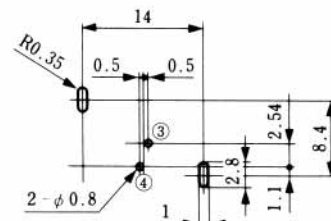
## Gang-Jacks Straight Dip Type

TM2RE-06 \* \*( 50 )

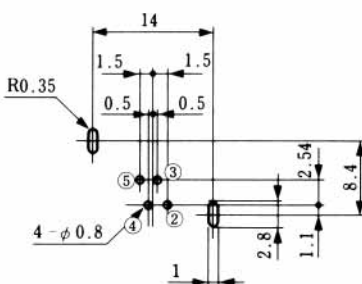
CL No.	Part No.	RoHS
222-1286-4-50	TM2RE-0602( 50 )	YES
222-1391-9-50	TM2RE-0604( 50 )	
222-1422-0-50	TM2RE-0606( 50 )	



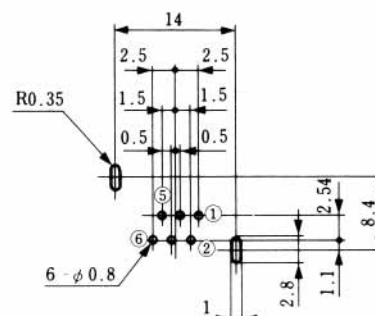
PCB mounting hole layout  
(Connector mounting side)



TM2RE-0602( 50 )



TM2RE-0604( 50 )



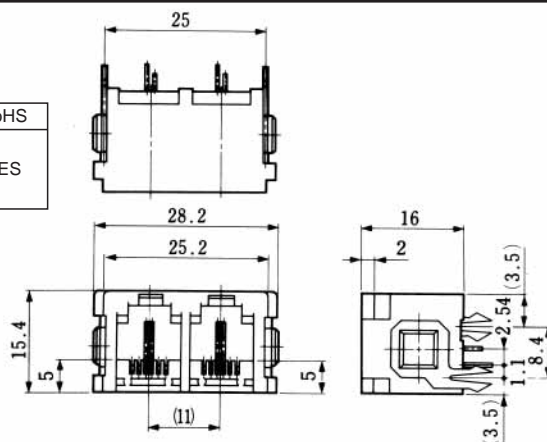
TM2RE-0606( 50 )

Note 1: Standard finish color is gray.

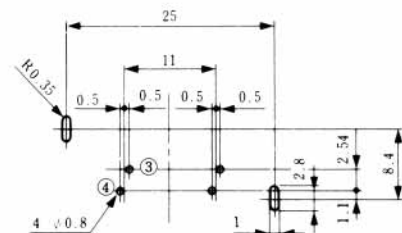
Note 2: The drawing is shown sample of TM2RE-0602( 50 ).

TM2RE-12 \* \*( 50 )

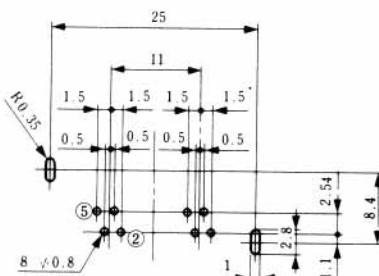
CL No.	Part No.	RoHS
222-0592-5-50	TM2RE-1204( 50 )	YES
222-0756-0-50	TM2RE-1208( 50 )	
222-0757-3-50	TM2RE-1212( 50 )	



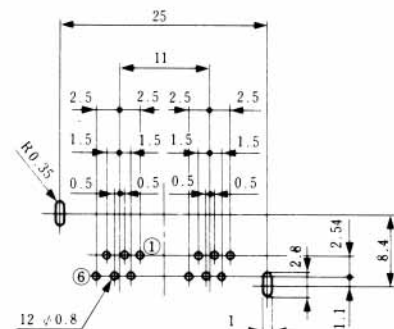
PCB mounting hole layout  
(Connector mounting side)



TM2RE-1204( 50 )



TM2RE-1208( 50 )



TM2RE-1212( 50 )

Note 1: Standard finish color is gray.

Note 2: The drawing is shown sample of TM2RE-1204( 50 ).

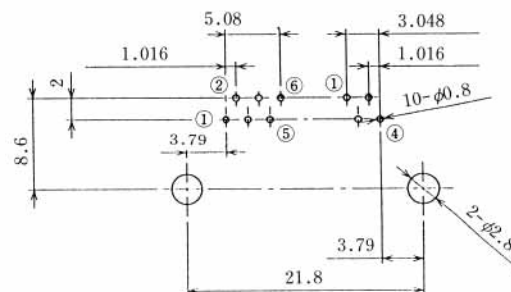
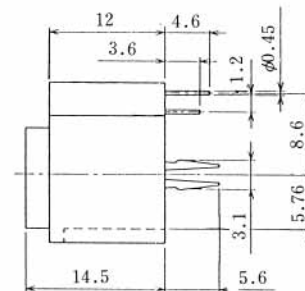
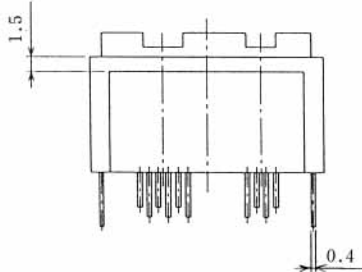
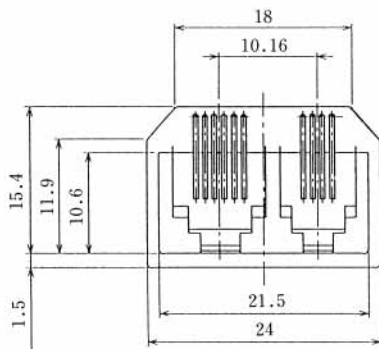
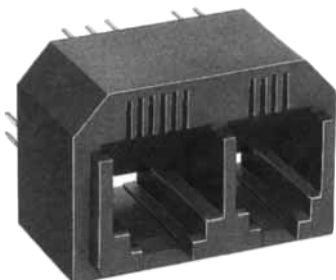


# MODULAR CONNECTORS

CL 222 TM

## TM3RA1-1010A( 50 )

CL No.	Part No.	RoHS
222-2526-1-50	TM3RA1-1010A( 50 )	YES

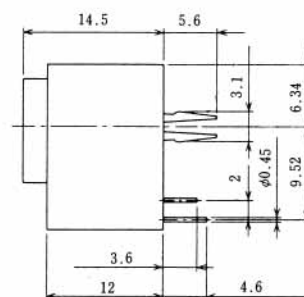
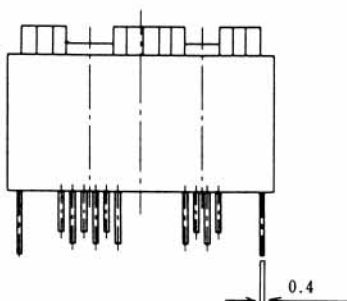
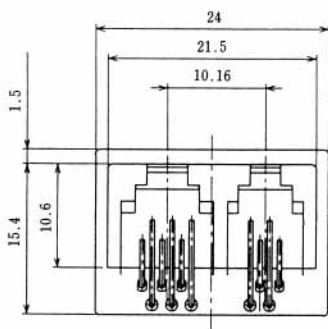
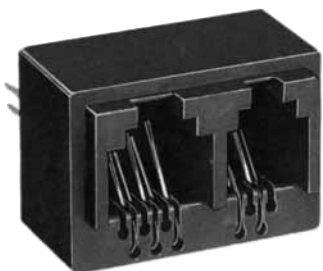


PCB mounting hole layout  
(Connector mounting side)

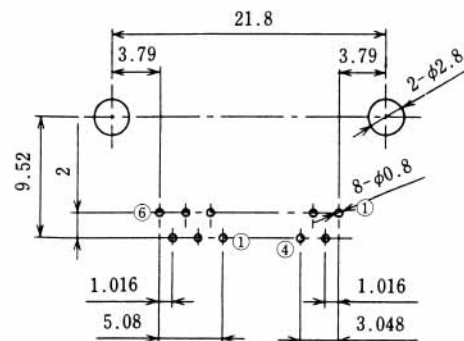
Note : Standard finish color is black.

## TM3RB1-1010( 50 )

CL No.	Part No.	RoHS
222-2598-2-50	TM3RB1-1010( 50 )	YES



PCB mounting hole layout  
(Connector mounting side)



Note : Standard finish color is black.



## X-ON Electronics

Largest Supplier of Electrical and Electronic Components

*Click to view similar products for [Modular Connectors](#) / [Ethernet Connectors](#) category:*

*Click to view products by [Hirose](#) manufacturer:*

Other Similar products are found below :

[RJE231881317T](#) [MP1010RX-1000](#) [MP44RX-1000](#) [GAX-3-66](#) [GAX-8-62](#) [93606-0253](#) [GD-A-44](#) [GDCX-PA-66-50](#) [GDCX-PN-64](#) [GDCX-PN-66](#) [GDCX-PN-66-50](#) [GDLX-A-66](#) [GDLX-A-88](#) [GDLX-N-66](#) [GDLX-S-88K](#) [GDTX-S-88-50](#) [GDX-PA-1010](#) [GLX-N-1010M-BLK](#) [GLX-N-44M](#) [GLX-S-88M-BLK](#) [GMX-N-1010](#) [GMX-S-1010](#) [GMX-S-66](#) [GMX-SMT2-N-1010](#) [GMX-SMT2-N-64-50](#) [GMX-SMT2-S6-88](#) [GMX-SMT4-N-88](#) [GPX-2-64](#) [GRT1-BT1-5](#) [GSGX-N-2-88](#) [GSX-NS2-88-3.05](#) [GSX-NS2-88-3.05-50](#) [GSX-NS-88-3.05-30](#) [GSX-NS-88-3.05-50](#) [GSX-NS-88-3.68](#) [1-1775629-2](#) [GWLX-S-88-GR](#) [GWLX-S9-88-YG](#) [1300500326](#) [1300500227](#) [1300530003](#) [1300570002](#) [1324640-4](#) [RJ11FTVC2G](#) [RJ11FTVC2N](#) [RJFTVX2SA1G](#) [132764-001](#) [1400000](#) [1413176](#) [1413235](#)