

DA12-M Series

12 Watts

Data Sheet

Total Power: 12 Watts
Input Voltage: 90 - 264 Vac
of Outputs: Single

SPECIAL FEATURES

- 5 V and 12 V versions
- Medical and ITE Safeties
- Switching wallmount power supply
- Available in interchangeable & fixed ac plug configurations
- CE Mark EMC, LVD & ErP 2011
- Universal AC input
- Fully regulated output
- Overload and short circuit protection
- Thermal protection
- Energy Star and CeC compliant
- Efficiency level V
- Constant voltage
- High MTBF
- Built in EMI filter (CISPR 22 Class B)

SAFETY

- UL 60950, 60601-1
- cUL 60950, 60601-1
- TUV 60950-1, 60601-1
- AS/NZS 60950-1, 60601-1
- CB Certificate and report
- CE EMC, LVD & ErP 2011 for EU & UK versions
- PSE Denan
- CCC <2000M, No Tropical



Electrical Specifications

| Input | |
|---|---|
| Input range: | 90 - 264 Vac (wide range) |
| Frequency: | 47 - 63Hz |
| Inrush current: | 28 A @ 264 Vac |
| Input current: | 0.25 A rms @ 120 Vac; 0.15 A @ 240 Vac |
| EMI/RFI: | FCC Part 15, Subpart B Class B & EN55022 (CISPR 22) Class B |
| Safety ground leakage current: | 100 μ A @ 50/60 Hz, 264 Vac input |
| Output | |
| Voltage (Vo): | 5.0 V and 12.0 V |
| Voltage regulation: | \pm 5% @ constant voltage mode |
| Maximum Power (Po): | 12 W for 12 V models, 10 W for 5 V models |
| Hold-up time: | 10 ms. typical at full load @ 230 Vac |
| Overvoltage protection: | Non-latching type |
| Overload protection: | Output shortcircuit protection auto recover Overload protected @ 150% above maximum rating |
| Overtemperature protection: | Auto recovery |
| Output cable/connector barrel polarity: | DC cable with 2.5 mm x 5.5mm barrel plug, 2.1 mm x 5.5 mm available on DC multi-plug version. For others please contact factory. DC plug center +v DC plug outer -v |

Environmental Specifications

| | |
|---------------------------------|---|
| Operating temperature: | 0 ° to +40 °C ambient |
| Storage temperature: | -40 °C to +85 °C |
| Electromagnetic susceptibility: | Designed to meet EN55024 |
| Humidity: | Operating; non-condensing 5% to 95% RH |
| Vibration: | Frequency/PSD: 5 - 350 Hz 0.0001 g ² /Hz 350 - 500 Hz - 6dB/Oct. 500 Hz 0.00005 g ² /Hz Acceleration: 0.21 gRMS Duration: 20 min per second |

AC Plug Configuration for Fixed Plug

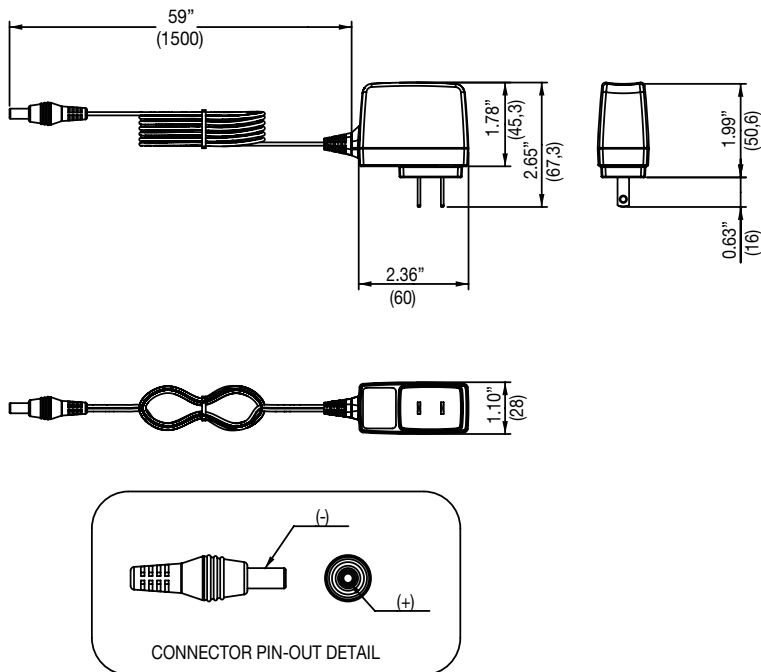
| | |
|------------------------|----|
| U.S. 2-prong | US |
| Europe 2-prong | EU |
| United Kingdom 3-prong | UK |
| Australia 2-prong | AU |

AC Plug Configuration for Interchangeable Plug

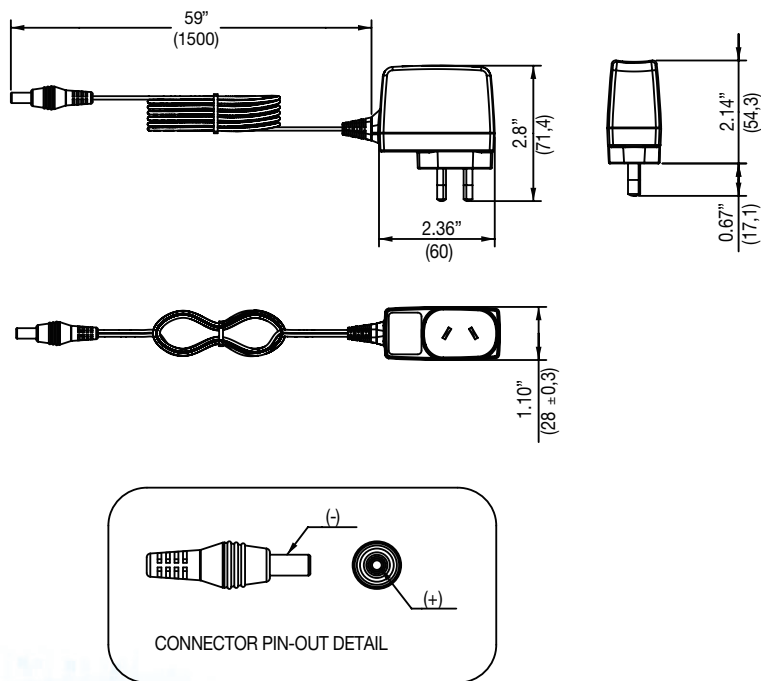
| | |
|------------------------|-------|
| U.S. 2-prong | DA-US |
| Europe 2-prong | DA-EU |
| United Kingdom 3-prong | DA-UK |
| Australia 2-prong | DA-AU |
| C8 - 2 receptacle | DA-C8 |
| Japan 2-prong | DA-JP |
| China 2-prong | DA-CH |
| Korea 2-prong | DA-KR |

Mechanical Drawings

DA12-XXXUS-M

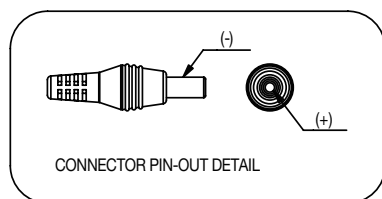
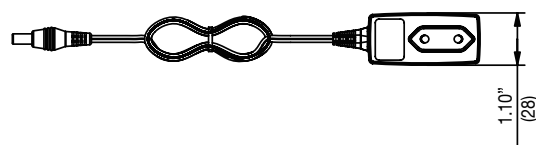
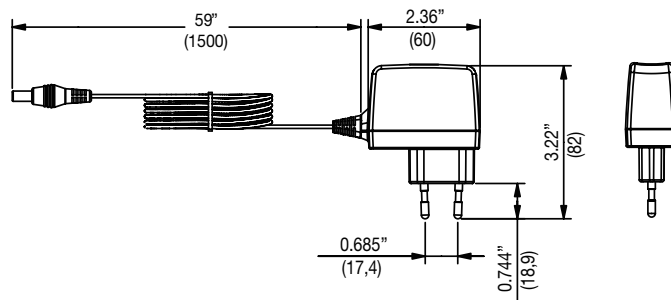


DA12-XXXAU-M

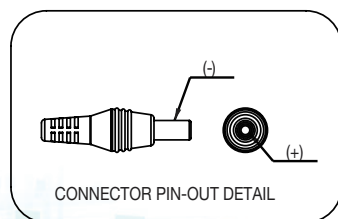
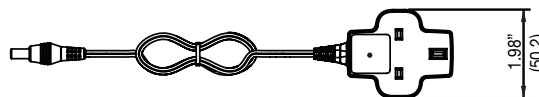
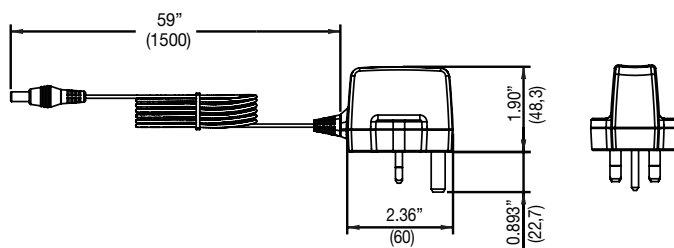


Mechanical Drawings

DA12-XXXEU-M

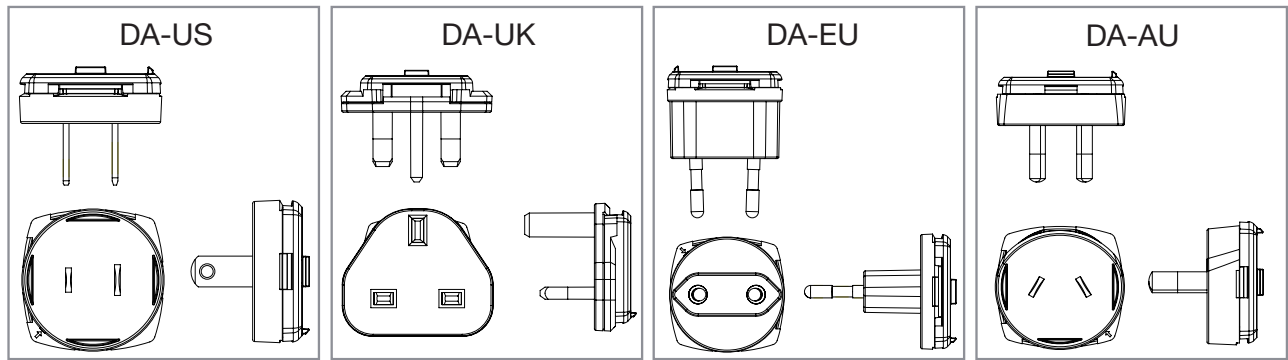
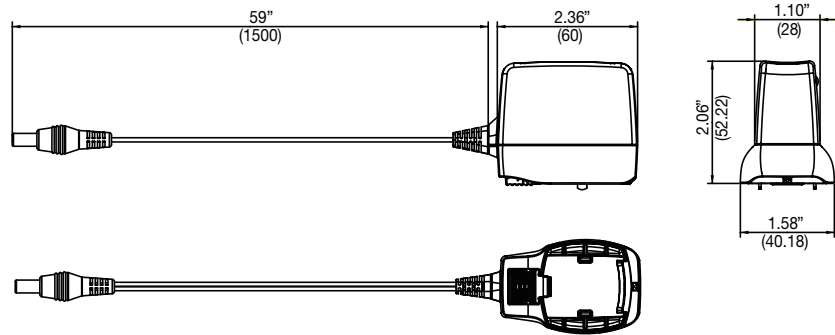


DA12-XXXUK-M



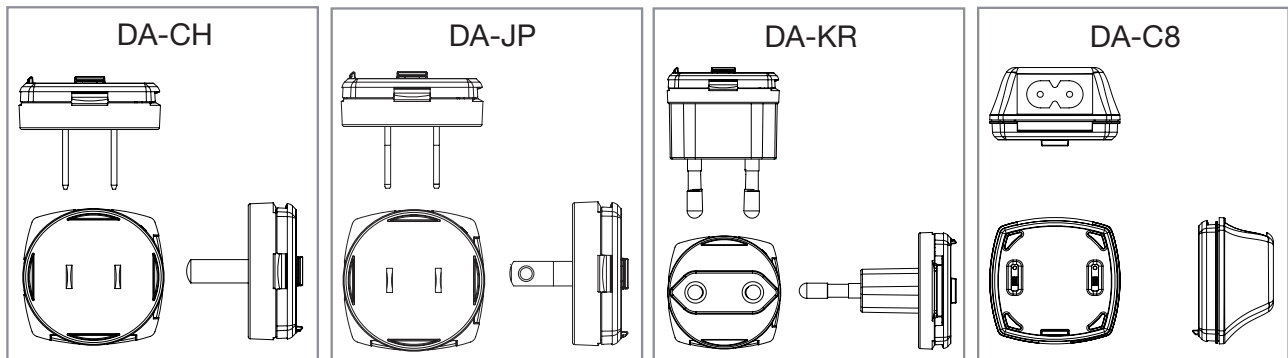
Mechanical Drawings

DA12-MP Interchangeable Plug Adapter



*Can be inserted straight or 90°

*Can be inserted straight or 90°



*Can be inserted straight or 90°

*Can be inserted straight or 90°

Notes:

1. Specifications subject to change without notice.
2. All dimensions in inches (mm), tolerance is $\pm .02$ ".
3. Weight: 0.25 lb/0.114 kg
4. Warranty: 2 years

Ordering Information - DA12 Adapter

| Model Number | Maximum Power | Output Voltage | Minimum Load | Maximum Load | Regulation ² | Ripple P/P (PARD) ³ |
|--------------------|---------------|----------------|--------------|--------------|-------------------------|--------------------------------|
| DA12-120US-M | 12 W | 12.0 V | 0.2 A | 1.0 A | ± 5% | 120 mV |
| DA12-120EU-M | 12 W | 12.0 V | 0.2 A | 1.0 A | ± 5% | 120 mV |
| DA12-120UK-M | 12 W | 12.0 V | 0.2 A | 1.0 A | ± 5% | 120 mV |
| DA12-120AU-M | 12 W | 12.0 V | 0.2 A | 1.0 A | ± 5% | 120 mV |
| DA12-120MP-M* | 12 W | 12.0 V | 0.2 A | 1.0 A | ± 5% | 120 mV |
| DA12-120MP-M2.1** | 12 W | 12.0 V | 0.2 A | 1.0 A | ± 5% | 120 mV |
| DA12-050US-M | 10 W | 5.0 V | 0.2 A | 2.0 A | ± 5% | 50 mV ⁴ |
| DA12-050EU-M | 10 W | 5.0 V | 0.2 A | 2.0 A | ± 5% | 50 mV ⁴ |
| DA12-050UK-M | 10 W | 5.0 V | 0.2 A | 2.0 A | ± 5% | 50 mV ⁴ |
| DA12-050AU-M | 10 W | 5.0 V | 0.2 A | 2.0 A | ± 5% | 50 mV ⁴ |
| DA12-050MP-M* | 10 W | 5.0 V | 0.2 A | 2.0 A | ± 5% | 50 mV ⁴ |
| DA12-050MP-M2.1** | 10 W | 5.0 V | 0.2 A | 2.0 A | ± 5% | 50 mV ⁴ |
| DA12-050MP-M402*** | 10 W | 5.0 V | 0.2 A | 2.0 A | ± 5% | 50 mV |

* Interchangeable version - AC Plugs must be purchased separately to be used with DA12-120MP-M and DA12-050MP-M

** 2.1 mm x 5.5 mm barrel plug

*** μ USB Connector

Ordering Information - DA12 Interchangeable Plug

| Model Number | |
|--|-------|
| DA-US | DA-C8 |
| DA-EU | DA-JP |
| DA-UK | DA-CH |
| DA-AU | DA-KR |
| DA-All (Includes DA-US, DA-EU, DA-UK, and DA-AU) | |

1. Peak current lasting < 30 seconds with a maximum 10% duty cycle.
2. At 25 °C including initial tolerance, line voltage, load currents and output voltages adjusted to factory settings.
3. Peak-to-peak with 20 mHz bandwidth and 10 μ F in parallel with a 0.1 μ F capacitor at rated line voltage and load ranges.
4. DA12-050XX model power supplies will operate with no-load, However under 0.1A Load Output ripple will exceed 50mV.

WORLDWIDE OFFICES

Americas

2900 S.Diablo Way
Tempe, AZ 85282
USA
+1 888 412 7832

Europe (UK)

Waterfront Business Park
Merry Hill, Dudley
West Midlands, DY5 1LX
United Kingdom
+44 (0) 1384 842 211

Asia (HK)

14/F, Lu Plaza
2 Wing Yip Street
Kwun Tong, Kowloon
Hong Kong
+852 2176 3333

ARTESYNTM
EMBEDDED TECHNOLOGIES

www.artesyn.com

While every precaution has been taken to ensure accuracy and completeness in this literature, Artesyn Embedded Technologies assumes no responsibility, and disclaims all liability for damages resulting from use of this information or for any errors or omissions. Artesyn Embedded Technologies, Artesyn and the Artesyn Embedded Technologies logo are trademarks and service marks of Artesyn Embedded Technologies, Inc. All other names and logos referred to are trade names, trademarks, or registered trademarks of their respective owners.
© 2014 Artesyn Embedded Technologies, Inc.

For more information: www.artesyn.com/power
For support: productsupport.ep@artesyn.com

X-ON Electronics

Largest Supplier of Electrical and Electronic Components

Click to view similar products for [Wall Mount AC Adapters](#) category:

Click to view products by [Artesyn Embedded Technologies](#) manufacturer:

Other Similar products are found below :

[76000738](#) [76000756-B10](#) [ADP-163 E](#) [ADP-159 A](#) [PSAC05A-050L6](#) [RLMDT361800](#) [TE30A1803F01](#) [0650-00005](#) [P25A14E-R1C](#) [SWI24-12-N-P6R](#) [SWI24-24-N-ST](#) [TRH25033-A-02E01-Level-VI](#) [DA5-050US-B](#) [DA5-050UK-B](#) [RLMDT701800](#) [76000756](#) [DA5-050EU-B](#) [WSU120-2000-R13](#) [5V1A-USB](#) [AC-DC ADAPTER 160W](#) [WSU120-2000-13](#) [WSU150-0800-13](#) [76000980](#) [WSU075-3200-13](#) [WSU090-2500-13](#) [WSU050-2000-R13](#) [WSU240-1000-13](#) [WSU090-3500-R13](#) [WSU075-1500-13](#) [WSU050-3000-13](#) [WSU135-1330-13](#) [WSU045-1500-13](#) [WSU090-2500-R13](#) [WSU240-1500-13](#) [WSU180-0660-13](#) [WSU075-1500-R13](#) [WSU090-1300-13](#) [WSU180-1330-R13](#) [NTPS-24-TT-700](#) [BB-SMI1812VP230C1](#) [WSU150-1600-13](#) [WSU050-1500-13](#) [WSU090-0800-13](#) [WSU180-0450-13](#) [WSU150-0560-R13](#) [WSU135-0880-13](#) [WSU120-3000-13](#) [WSU120-1000-R13](#) [WSU090-1300-R13](#) [WSU060-4000-13](#)