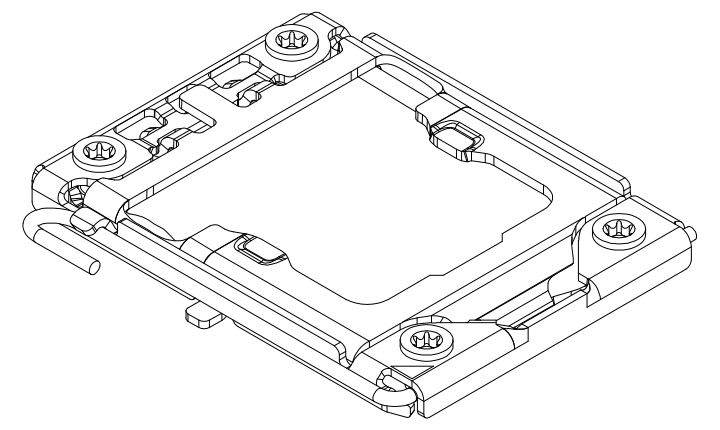
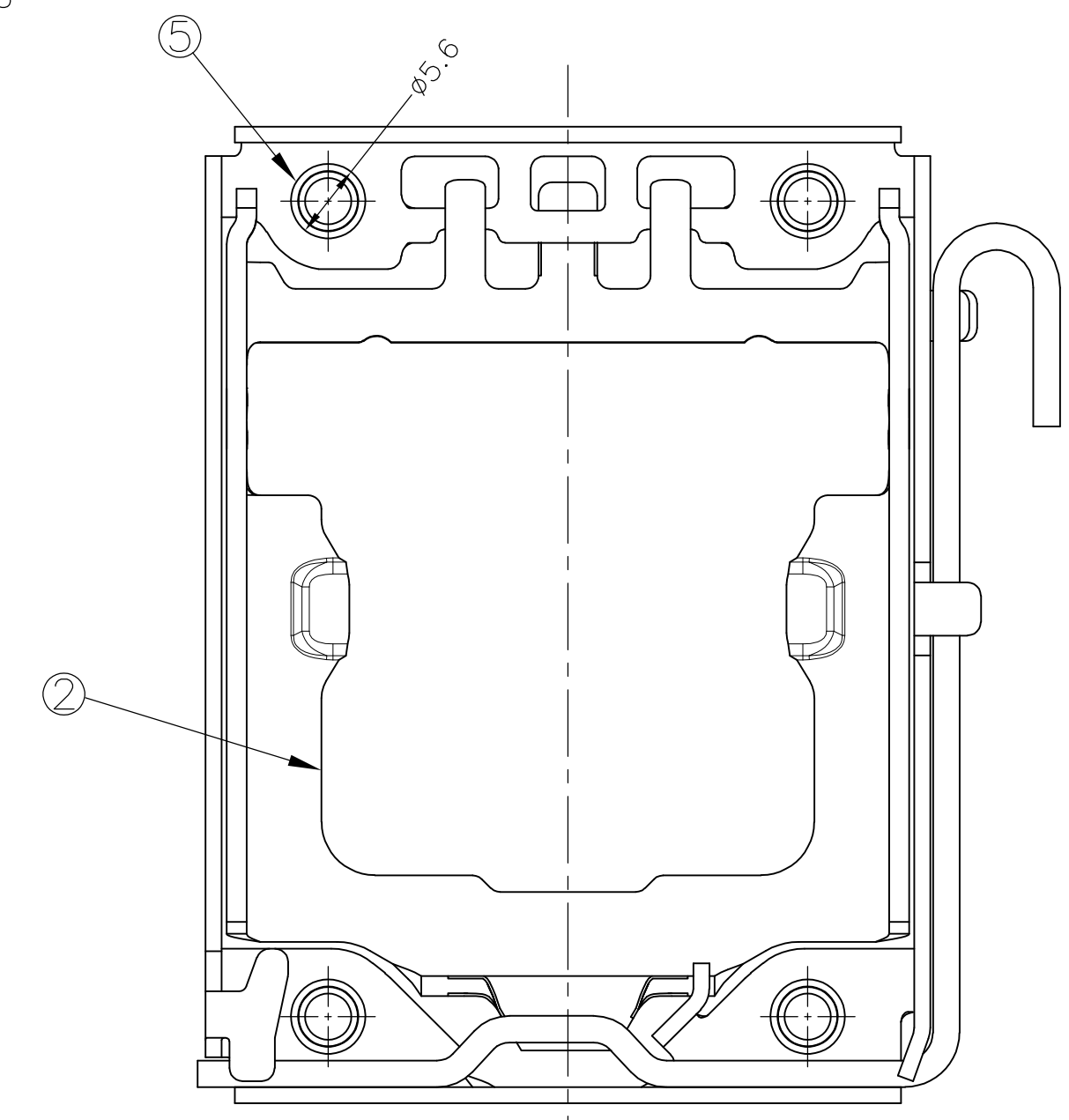
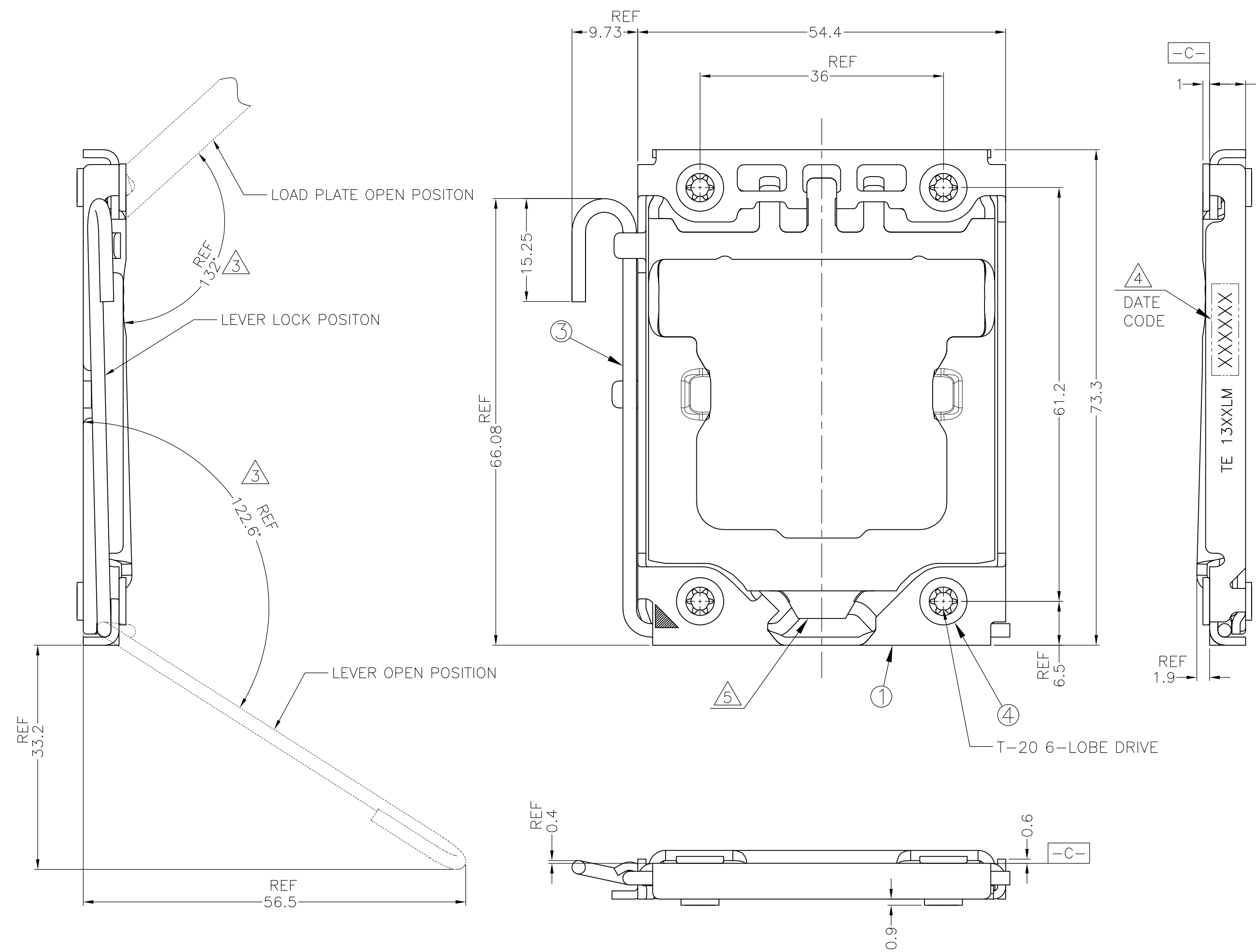


THIS DRAWING IS UNPUBLISHED. RELEASED FOR PUBLICATION MAY 2011.
 © COPYRIGHT 2011 By Tyco Electronics Japan G.K. ALL RIGHTS RESERVED.

LOC		DIST		REVISIONS			
P	LTR	DESCRIPTION	DATE	DWN	APVD		
J	-	U1	REVISED	20MAY'15	J.W	C.W	



3D VIEW (REFERENCE)

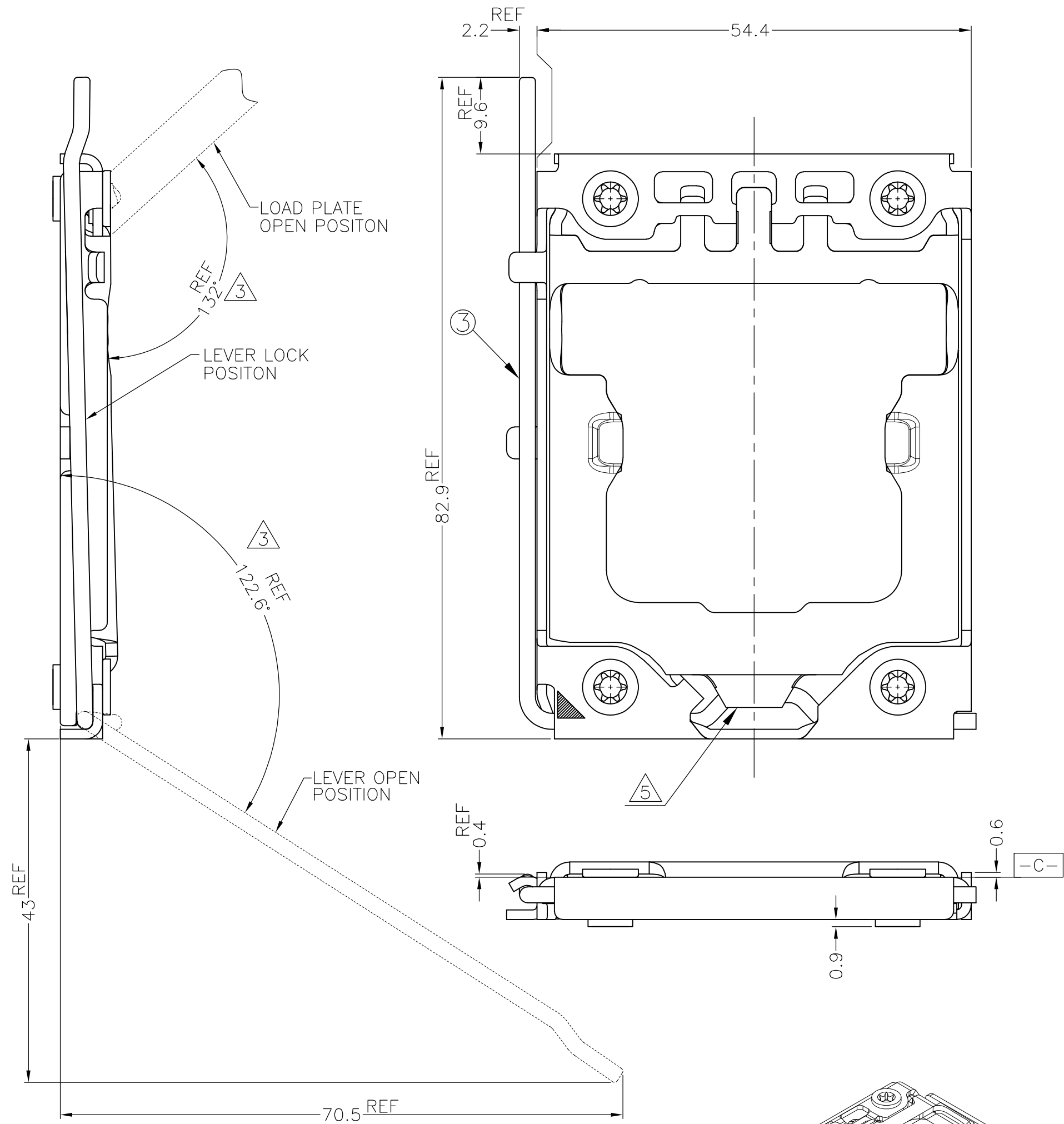
1939738-1 : AS SHOWN

WEIGHT(g)	DESCRIPTION	PART NUMBER
47.1	U LEVER TYPE WITH COVER	2-1939738-1
44.2	SHORT STRAIGHT LEVER TYPE	1-1939738-1
44.0	STRAIGHT LEVER TYPE	1-1939738-2
44.2	U LEVER TYPE	1939738-1

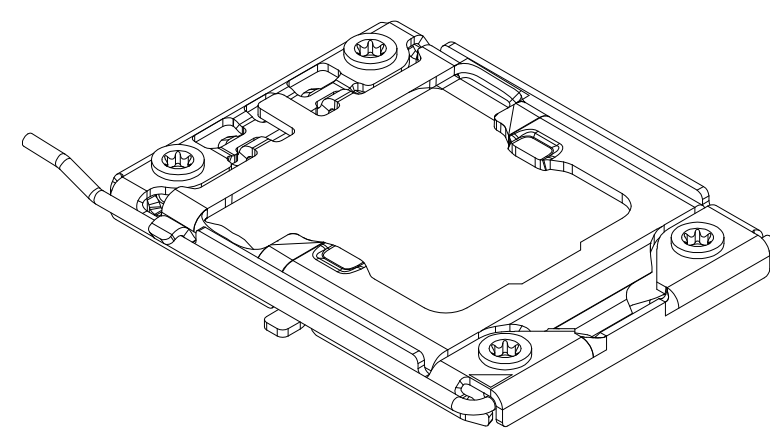
THIS DRAWING IS A CONTROLLED DOCUMENT.		DWN H.TAGUCHI 17DEC2007	TE TE Connectivity	
DIMENSIONS: mm		CHK S.HASHIMOTO 17DEC2007		
TOLERANCES UNLESS OTHERWISE SPECIFIED:		APVD S.HASHIMOTO 17DEC2007	NAME	
0 PLC ±	±0.3	PRODUCT SPEC	ILM COVER ASSY LGA13XX	
1 PLC ±	±3	APPLICATION SPEC	108-78496	
2 PLC ±			114-5432	
3 PLC ±			SIZE A2	CAGE CODE 00779
4 PLC ±			DRAWING NO C=1939738	RESTRICTED TO -
ANGLES ±			MATERIAL FINISH	
MATERIAL		WEIGHT SEE TABLE	SCALE 2:1	SHEET 1 of 3
		CUSTOMER DRAWING	REV U1	

THIS DRAWING IS UNPUBLISHED. RELEASED FOR PUBLICATION MAY 2011.
 © COPYRIGHT 2011 By Tyco Electronics Japan G.K. ALL RIGHTS RESERVED.

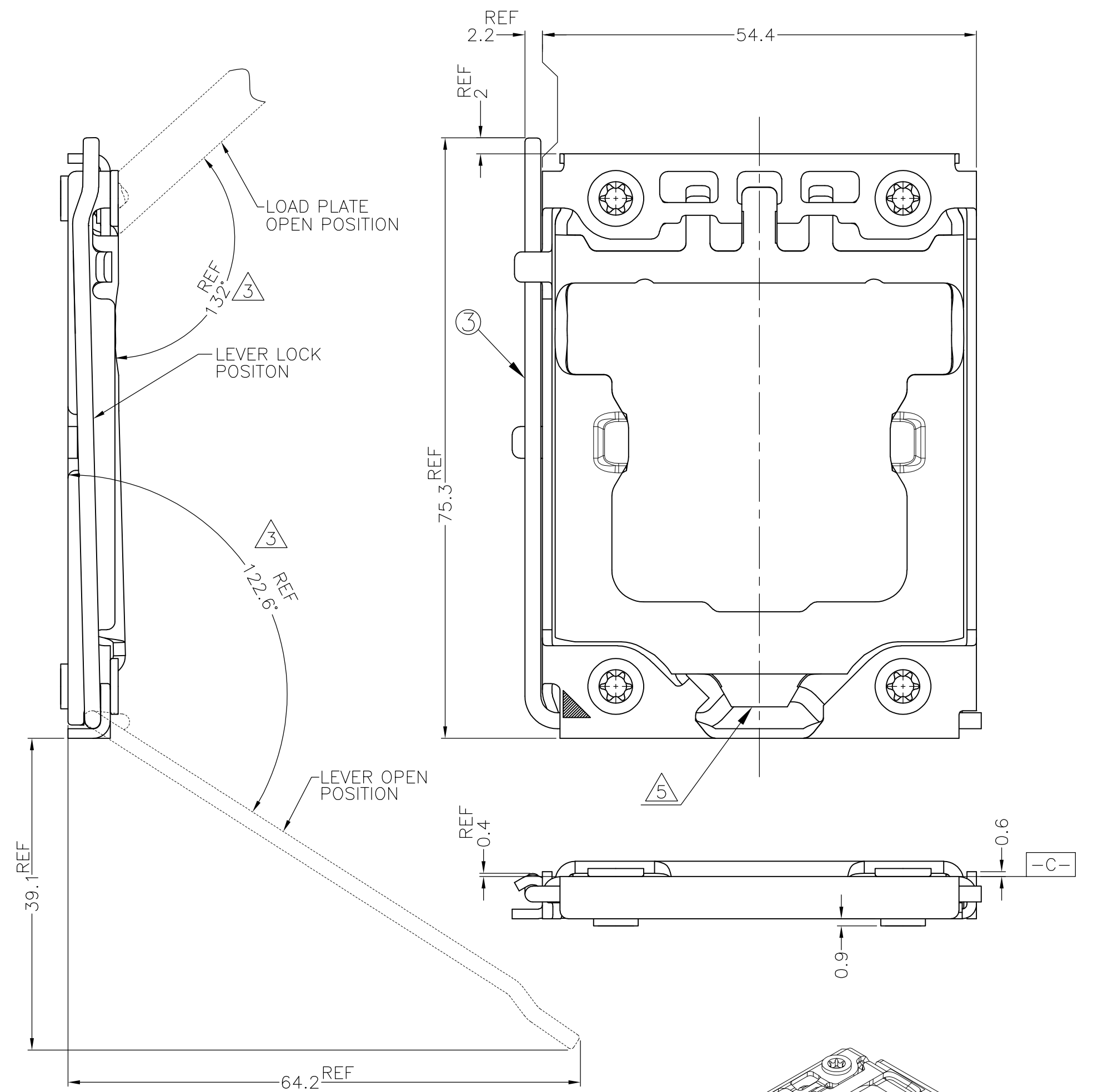
LOC		DIST		REVISIONS			
P	LTR	DESCRIPTION	DATE	DWN	APVD		
-	-	SEE SHEET 1	-	-	-		



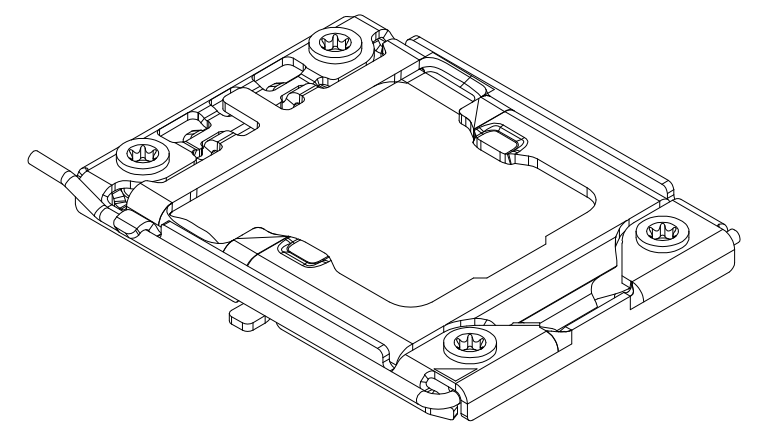
1-1939738-2 : AS SHOWN



3D VIEW (REFERENCE)



1-1939738-1 : AS SHOWN



3D VIEW (REFERENCE)

THIS DRAWING IS A CONTROLLED DOCUMENT.		DWN		
DIMENSIONS: mm		CHK		
TOLERANCES UNLESS OTHERWISE SPECIFIED		APVD		
0 PLC ±		PRODUCT SPEC		
1 PLC ± -		APPLICATION SPEC		
2 PLC ± -		WEIGHT		
3 PLC ± -		CUSTOMER DRAWING		
4 PLC ± -		SCALE		
ANGLES ± -		FINISH		
		NAME	TE Connectivity	
		ILM COVER ASSY LGA13XX		
SIZE	CAGE CODE	DRAWING NO	RESTRICTED TO	
A2	00779	C=1939738	-	
		SHEET	REV	
		2 of 3	U1	

4

3

2

1

THIS DRAWING IS UNPUBLISHED. RELEASED FOR PUBLICATION MAY 2011.
 © COPYRIGHT 2011 By Tyco Electronics Japan G.K. ALL RIGHTS RESERVED.

LOC	DIST	REVISIONS					
		P	LTR	DESCRIPTION	DATE	DWN	APVD
J	-	-	-	SEE SHEET 1	-	-	-

3D VIEW (REFERENCE)

1. MATERIAL

- ① FRAME: STAINLESS STEEL
- ② LOAD PLATE: STAINLESS STEEL
- ③ LEVER: SUS304, 2 DIA
- ④ NUT: STEEL
FINISH: NICKEL PLATING
- ⑤ COLLAR: STEEL
FINISH: NICKEL PLATING
- ⑥ COVER: THERMO-PLASTIC, UL94 V-0, BLACK

2. APPLICABLE SOCKET ASSY LGA1366 OR SOCKET ASSY LGA1356
 (DRAWING NUMBER: 1981837 OR 1554116 OR 2229732)

- ⚠ DO NOT OPEN WITH FORCE FROM OPEN END
- ⚠ INDICATED DATE CODE ON THE FRAME
- ⚠ LOAD PLATE IS NOT LOCKED BY LEVER

2-1939738-1 : AS SHOWN
 UNLESS SPECIFIED
 DIMENSIONS ARE SAME WITH -1

THIS DRAWING IS A CONTROLLED DOCUMENT.		DWN		
DIMENSIONS: mm		CHK		
TOLERANCES UNLESS OTHERWISE SPECIFIED		APVD	NAME	
0 PLC ±		PRODUCT SPEC	ILM COVER ASSY	
1 PLC ± -		APPLICATION SPEC	LGA13XX	
2 PLC ± -		WEIGHT	SIZE	CAGE CODE
3 PLC ± -		CUSTOMER DRAWING	A2	00779
4 PLC ± -			SCALE	DRAWING NO
ANGLES ± -		SCALE	C=1939738	-
FINISH		SCALE	NTS	SHEET
		SCALE	3 OF 3	REV
		SCALE	U1	

1471-9 (3/11)

1939738

B

A

X-ON Electronics

Largest Supplier of Electrical and Electronic Components

Click to view similar products for IC & Component Sockets category:

Click to view products by TE Connectivity manufacturer:

Other Similar products are found below :

[714-43-102-31-012000](#) [0066-3-17-15-30-14-02-0](#) [0134-0-15-15-32-27-04-0](#) [614-DG5](#) [6527-0-00-15-00-00-03-0](#) [670](#) [672](#) [673](#) [712-93-120-41-001000](#) [714-93-104-31-018000](#) [8059-4G1-LF](#) [807-22-001-10-001101](#) [807-22-001-10-003101](#) [807-22-001-10-004101](#) [807-22-001-10-006101](#) [807-22-001-30-011101](#) [807-22-001-30-012101](#) [807-22-001-30-013101](#) [807-22-001-30-014101](#) [8-1437531-4](#) [8150-6P10](#) [833-93-034-10-001000](#) [835-43-014-10-001000](#) [851-41-006-10-001000](#) [851-43-008-20-001000](#) [851-43-014-20-001000](#) [851-93-006-20-001000](#) [851-93-010-20-001000](#) [852-10-026-10-001000](#) [853-43-020-10-001000](#) [86.010.0053.0](#) [116-43-306-41-003000](#) [116-43-308-41-007000](#) [116-87-308-41-007101](#) [PX-68LCC](#) [PX-84LCC](#) [121-13-318-41-001000](#) [121-13-320-41-001000](#) [121-13-308-41-001000](#) [123-43-314-41-801000](#) [123-43-420-41-001000](#) [123-43-636-41-001000](#) [123-87-320-41-001101](#) [122-13-316-41-001000](#) [123-13-624-41-001000](#) [123-43-306-41-001000](#) [123-43-322-41-801000](#) [123-43-428-41-001000](#) [123-43-624-41-001000](#) [12-3513-11](#)