



TO-8 Photocells

Hermetic Package

Features

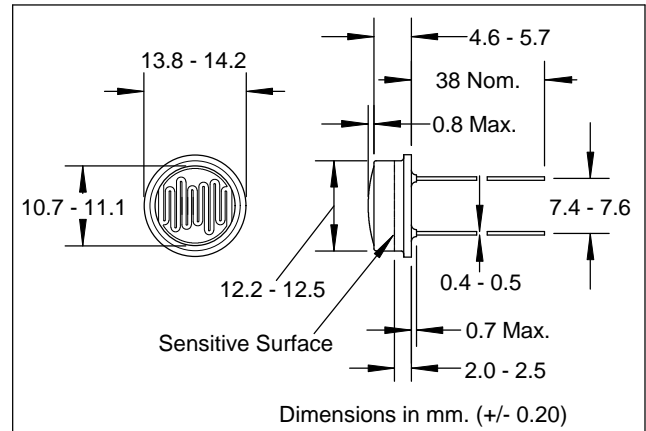
- Five Photoconductive Materials
- Tolerance: $\pm 40\%$ @ 1 ftc, $\pm 33\%$ @ 2 ftc

Description

The Silonex TO-8 series of photoconductive provide up to eight standard resistance ranges in CdS or CdSe materials.

Absolute Maximum Ratings

Operating & Storage Temperature -60°C to $+75^{\circ}\text{C}$
 Power Dissipation @ 25°C (1) 500 mW



Electrical Characteristics ($T_A=25^{\circ}\text{C}$, source at 2854°K unless otherwise noted)

Silonex Part No	Sensitive Material	Spectral Peak (nm)	R @ 1 ftc (Kohms) (3)	R @ 2 ftc (Kohms) (3)	R _{TYP} @ 100 ftc (ohms)	Min. R _{DARK} (Kohms) (2)	V _{MAX} (Volts) (peak AC or DC)
NSL-4910	Type 4 CdS	515	9.3		150	560	80
NSL-4920			4.0		80	250	80
NSL-4930			1.7		50	100	80
NSL-4940			0.725		30	50	80
NSL-4950			40		860	2400	320
NSL-4960			17		500	1000	320
NSL-4970			7.25		260	400	320
NSL-4980			114		2500	6800	320
NSL-5910	Type 5 CdS	550		1.5	150	100	170
NSL-5920				3.0	300	200	170
NSL-5930				6.0	500	400	250
NSL-5940				9.0	700	600	250
NSL-6910	Type 6 CdSe	690		0.25	25	67	170
NSL-6920				0.51	50	300	170
NSL-6930				1.02	100	680	170
NSL-6940				1.5	150	1000	250
NSL-7910	Type 7 CdS	615		7.5	800	1500	250

Specifications subject to change without notice

103286 REV 2

Notes:

- (1) derate linearly to zero at 75°C .
- (2) 5 sec. after removal of test light.
- (3) cells light adapted at 30 to 50 Ftc for 16 hrs minimum prior to electrical tests.

5200 St. Patrick St., Montreal
 Que., H4E 4N9, Canada
 Tel: 514-768-8000
 Fax: 514-768-8889

The Old Railway, Princes Street
 Ulverston, Cumbria, LA12 7NQ, UK
 Tel: 01 229 581 551
 Fax: 01 229 581 554

X-ON Electronics

Largest Supplier of Electrical and Electronic Components

Click to view similar products for [advanced photonix manufacturer](#):

Other Similar products are found below :

[SLCD-61N5](#) [NSL 4962](#) [NORPS-12](#) [SLD-70 BG2A](#) [NSL 06S53](#) [NSL-32SR3](#) [NSL 19M51](#)