



RAL 7035

Outlet grilles

- Delivered with G2 M1 synthetic standard filter.
- Material: Injected thermoplastic (ASA PC), self-extinguishing according to UL94 V0.

Dimensions (mm)		IP	Reference RAL 7035
Total (external)	Cut-out		
137 × 117 × 13	92 × 92	54	NSYCAG92LPF
170 × 150 × 15	125 × 125	54	NSYCAG125LPF
268 × 248 × 18	223 × 223	54	NSYCAG223LPF
336 × 316 × 18	291 × 291	54	NSYCAG291LPF



RAL 7032

Replacement grilles in RAL 7032

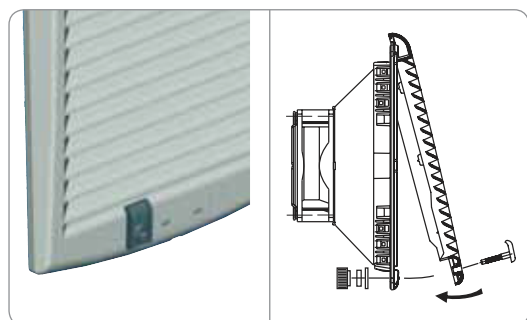
- External part of the grille (for fan or outlet grille) for changing the colour to RAL 7032.

Dimensions (mm) Total (external)	IP	Reference RAL 7032
137 × 117 × 13	54	NSYCAG92LPC
170 × 150 × 15	54	NSYCAG125LPC
268 × 248 × 18	54	NSYCAG223LPC
336 × 316 × 18	54	NSYCAG291LPC



Filters

Concept	For fans and grilles		Pack.	Reference
	External dimensions (mm)	Cut-out (mm)		
G2 M1 synthetic standard filters	137 × 117	92 × 92	5	NSYCAF92
	170 × 150	125 × 125	5	NSYCAF125
	268 × 248	223 × 223	5	NSYCAF223
	336 × 316	291 × 291	5	NSYCAF291
Filters for greasy environments G2 M1	170 × 150	125 × 125	5	NSYCAF125O
	268 × 248	223 × 223	5	NSYCAF223O
	336 × 316	291 × 291	5	NSYCAF291O
G3 M1 synthetic fine filters	170 × 150	125 × 125	5	NSYCAF125T
	268 × 248	223 × 223	5	NSYCAF223T
	336 × 316	291 × 291	5	NSYCAF291T
Stainless-steel anti-insect filters	137 × 117	92 × 92	1	NSYCAF92M
	170 × 150	125 × 125	1	NSYCAF125M
	268 × 248	223 × 223	1	NSYCAF223M
	336 × 316	291 × 291	1	NSYCAF291M



Anti-vandalism kit

- Prevents the grille from being opened from the outside.
- The unlocking thumbwheel is accessed from the inside of the wall-mounting enclosure.
- RAL 7011 colour (same material as the grille: ASA PC).

Minor packaging	Reference
2	NSYCAAPV

X-ON Electronics

Largest Supplier of Electrical and Electronic Components

Click to view similar products for [schneider manufacturer](#):

Other Similar products are found below :

[LU9M1](#) [7D](#) [7S](#) [7XA1](#) [FNQR2](#) [8501RS44V24](#) [8501RSD14P14V51](#) [8501XO20V03Y414](#) [9001KXRK](#) [9001SKR9P35RH25](#) [9001SKT35L31](#)
[9003K2C003GA](#) [9007AA1](#) [9007BA1](#) [9007C54D](#) [9007C62A2](#) [9007CA11](#) [9007FA3](#) [9007HA4](#) [9007HA6](#) [9007KA1](#) [9007KB11](#)
[9007MS01S0206](#) [9007MS02S0300](#) [9012GAR4](#) [9012GAW2](#) [9012GBW1](#) [9012GDW5E3](#) [9012GFW1](#) [9012GNG1](#) [9012GNG3](#) [9012GNG6](#)
[9013FHG39J69](#) [9013GHG2J30](#) [9050JCK2F30V14](#) [GV2ME04](#) [GV2ME10](#) [GV2ME14](#) [GV2ME20](#) [GV2ME32](#) [GV2P06](#) [GV2P08](#) [GV2P10](#)
[GV2P16](#) [GV2P20](#) [GV2P21](#) [GV2RT07](#) [GV2RT21](#) [GVAD1001](#) [GVAN11](#)