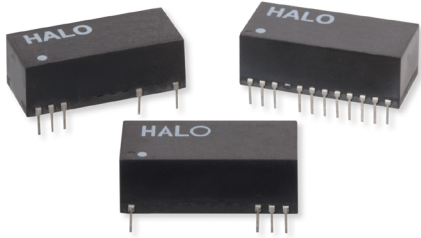


2W DC/DC Converters

DIL 2W DC/DC Converters for 10BASE2 and 10BASE5 Applications



Product Features:

- 2 Watt DC/DC Converter
- 10BASE2 and 10BASE5
- 100% Compliance Testing
- With and Without Enable Feature

Part Number	Schematic/ Package	Input (max) Voltage/Current	Output (max) Voltage/Current	Isolation Vrms	Enable Function	Temp. Range
DCU0-0509C	C	5Vdc @ 600mA	9Vdc @ 250mA	500	-	0 to 70°C
DCU0-0509D	D	5Vdc @ 600mA	9Vdc @ 250mA	500	-	0 to 70°C
DCU0-0509E	E	5Vdc @ 600mA	9Vdc @ 250mA	500	Active Low	0 to 70°C
DCU0-0509E1	E1	5Vdc @ 600mA	9Vdc @ 250mA	500	Active High	0 to 70°C
DCU0-0509MD	MD	5Vdc @ 600mA	9Vdc @ 225mA	500	-	0 to 70°C
DCU0-0512C	C	5Vdc @ 600mA	12Vdc @ 185mA	500	-	0 to 70°C
DCU0-0512D	D	5Vdc @ 600mA	12Vdc @ 185mA	500	-	0 to 70°C
DCU0-0512MD	MD	5Vdc @ 600mA	12Vdc @ 180mA	500	-	0 to 70°C
DCU0-1209C	C	12Vdc @ 250mA	9Vdc @ 250mA	500	-	0 to 70°C
DCU0-1209D	D	12Vdc @ 250mA	9Vdc @ 250mA	500	-	0 to 70°C
DCU0-1209E	E	12Vdc @ 250mA	9Vdc @ 250mA	500	Active Low	0 to 70°C
DCU0-1209E1	E1	12Vddc @ 250mA	9Vdc @ 250mA	500	Active High	0 to 70°C
DCU2-0509E	E	5Vdc @ 600mA	9Vdc @ 250mA	2,000	Active Low	0 to 70°C
DCU2-1209E	E	12Vdc @ 250mA	9Vdc @ 250mA	2,000	Active Low	0 to 70°C

Notes:

1. Please contact the factory or representative for individual datasheets or additional information

HALO 2Watt DC/DC Converter

Schematic C/D

Schematic E

Schematic E1

Schematic MD

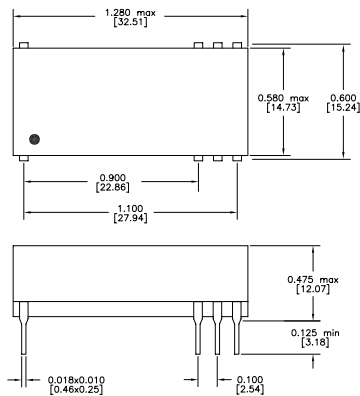
Pin Connections	Function
Input+	1, 24
Input-	12, 13
Output+	11, 14
Output-	10, 15

Pin Connections	Function
Input+	1, 2
Input-	23, 24
Enable	3
Output+	12
Output-	9
N/C	13

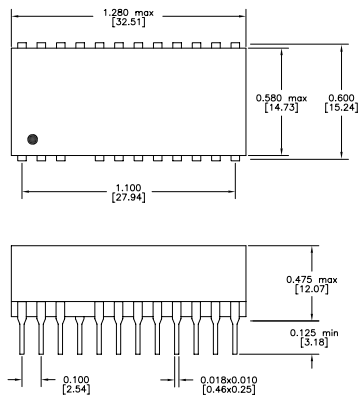
Pin Connections	Function
Input+	1, 24
Input-	12, 13
Output+	11, 14
Output-	10, 15
N/C	

Pin Connections	Function
Input+	1, 16
Input-	8, 9
Output+	7, 10
Output-	6, 11

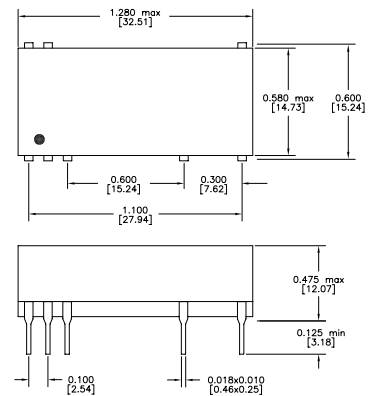
Package C



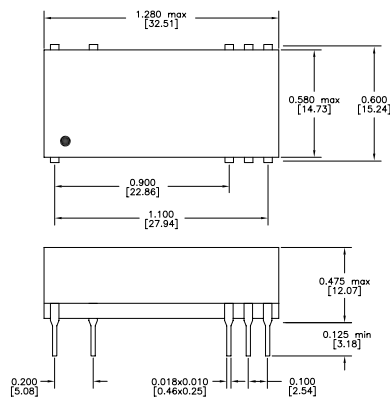
Package D



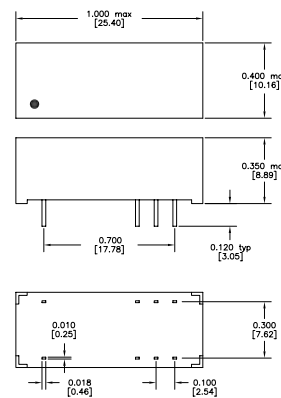
Package E



Package E1



Package MD



Dimensions: inch [mm]
 Co-Planarity: 0.004 [0.10]



2880 Lakeside Drive #116
 Santa Clara, CA 95054
 (650) 903-3800
www.haloelectronics.com

HALO® Electronics is a leading supplier of high quality communication magnetics including signal transformers, filters, CMR chokes, PoE power transformers, DC/DC converters, and integrated Ethernet connectors. HALO's leading edge technology solutions are manufactured in ISO9001 and ISO14001 factories offering high quality products at a competitive price.

X-ON Electronics

Largest Supplier of Electrical and Electronic Components

Click to view similar products for [Power Transformers](#) category:

Click to view products by [Hakko](#) manufacturer:

Other Similar products are found below :

[1-1672275-3](#) [A41-43-20A20](#) [DST5-120B39](#) [14A-56-36B42](#) [EN2997SE61808F8](#) [9-1611461-2](#) [29768](#) [1654308-1](#) [170R](#) [ST2-12B42](#) [ST3-12B5](#) [ST6118T-R](#) [PE-68421NL](#) [PL2.5-12-130B-C](#) [PoE4W3x5.0-R](#) [POE7W3X3.3-R](#) [4000-20C02K999](#) [4001-09W15AE777](#) [48RO-5000G-SIL](#) [TRA-0130-R](#) [XON7-15/2](#) [47045010](#) [1-1611462-6](#) [1-1611760-0](#) [EN2997SE61808F9](#) [OPT110F-EAS00004AU](#) [XON25-9/24](#) [XON01349](#) [XON01200](#) [XDCA001/INER01](#) [PE-68414NL](#) [F-91X](#) [F-29U](#) [DST4-16B10](#) [DP241-8-24A55](#) [DP241-5-10A21](#) [P-8577](#) [T50-24M3](#) [1-1672277-2](#) [1-1672277-0](#) [1-1672275-5](#) [1-1672275-0](#) [4000-01V18BC999](#) [PC-24-180B18](#) [750315837](#) [750315125](#) [POE13W2VERS-R](#) [PA2380NL](#) [14A-10-12B9](#) [PE-68411NL](#)