

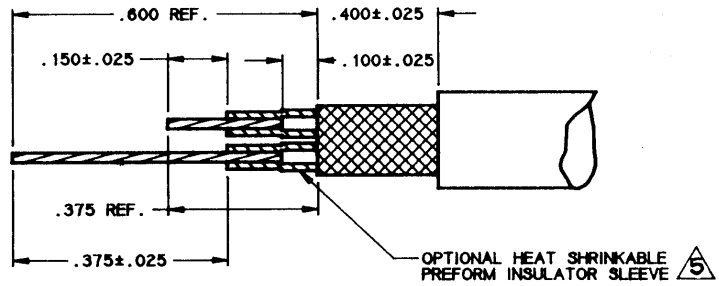
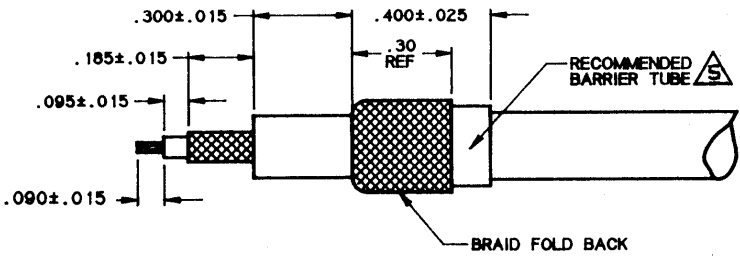
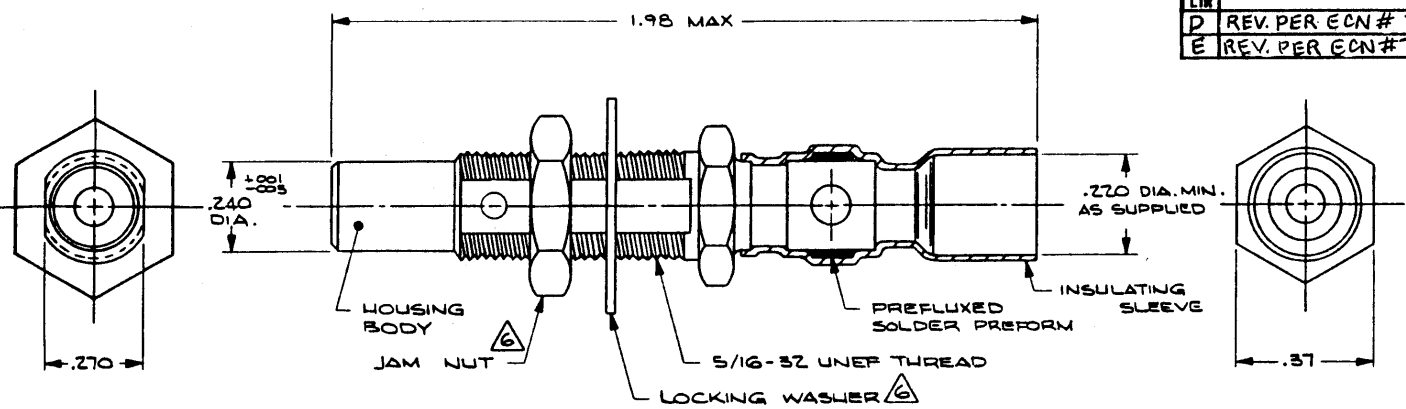
4

3

2

1

REVISIONS			
LTR	DESCRIPTION	DATE	APPROVED
D	REV. PER ECN # T-8881	8/09/30	I. MYON
E	REV. PER ECN # T-20028	9/5/91	RAYCHEM



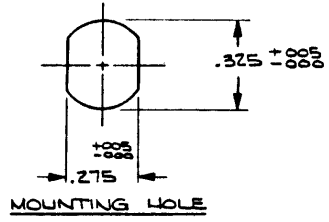
TRIAX STRIP
(RAYTHEON #10270730)

TWINAX STRIP
(RAYTHEON # MIS-20054/1-001)

NOTES:

- PART DESCRIPTION:** CONNECTOR, JACK, TRIAXIAL, BULKHEAD (RAYTHEON #1145047) COMPLETE WITH PREFLUXED SOLDER PREFORM RING AND HEAT SHRINKABLE INSULATING SLEEVE.
- HOUSING ACCOMMODATION:** HOUSING DESIGNED TO ACCEPT SHIELDED CONTACTS MIS-20067/1 THRU MIS-20067/4 SHIELDED; RAYCHEM SOLDER TACT D-602-44/45 AND D-602-54/55.
- WIRE SIZE:** HOUSING WILL TERMINATE OUTER SHIELD OF TRIAX/TWINAX CABLE HAVING A SHIELD DIAMETER OF .185 MAX.
- MATING CONNECTOR:** THIS CONNECTOR WILL MATE WITH D-621-0001 (RAYTHEON #11453046) CONNECTOR, PLUG SUBMINIATURE, TRIAXIAL.

- MATERIAL:**
- HOUSING BODY: BRASS ALLOY PER ASTM B16 (QQ-B-626)
 - JAM NUT: BRASS ALLOY PER ASTM B16 (QQ-B-626)
 - LOCK WASHER: STAINLESS STEEL PER QQ-S-763
 - INSULATING SLEEVE: HEAT SHRINKABLE, POLYVINYLIDENE FLUORIDE (TRANSPARENT BLUE)
 - SOLDER RING: PREFLUXED SOLDER PREFORM, COMPOSITION Sn63, FLUX TYPE RMA, PER QQ-S-571
 - INSULATOR: THERMOPLASTIC PER LP 392
- FINISH:**
- HOUSING BODY: TIN PLATED PER MIL-T-10727
 - JAM NUT: NICKEL PLATED PER QQ-N-290
 - LOCK WASHER: PASSIVATE PER MIL-S-5002



ACCESSORIES	
CTA-0012	BARRIER TUBE
CTA-0013	PREFORM INSULATOR SLEEVES (2)
D-600-0024	STRAIN RELIEF

- ITEMS SUPPLIED AS PART OF CONNECTOR ASSEMBLY.
- JAM NUT AND LOCKING WASHER SUPPLIED UNASSEMBLED.
- RECOMMENDED TWINAX STRIPING TOOL AD-1479 OR AD-1496
- SEE PROCEDURE ES 61124 FOR TERMINATION INFORMATION.

SPECIFICATION CONTROL DRAWING © Raychem Corporation 1988

UNLESS OTHERWISE SPECIFIED DIMENSIONS ARE IN INCHES. METRIC DIMENSIONS ARE IN BRACKETS.	DRAWN	CRN	76 10 19	Raychem <small>RAYCHEM CORPORATION 300 CONSTITUTION DRIVE MIRLO PARK, CALIFORNIA 94545</small>								
	CHECKED	R. YATES	76 10 20									
	APPROVED	R. YATES	76 10 20									
	APPROVED											
DECIMALS	.XXX ± .005 [mm]			CONNECTOR, JACK, TRIAXIAL, BULKHEAD								
ANGLES	.X ±											
WEIGHT	lbs [g]	THIRD ANGLE PROJECTION	<table border="1"> <tr> <td>SIZE</td> <td>ORDER INGT. NO.</td> <td>DRG. NO.</td> <td>REV.</td> </tr> <tr> <td>A</td> <td>08090</td> <td>D-621-0002</td> <td>E</td> </tr> </table>		SIZE	ORDER INGT. NO.	DRG. NO.	REV.	A	08090	D-621-0002	E
SIZE	ORDER INGT. NO.	DRG. NO.	REV.									
A	08090	D-621-0002	E									

4

3

2

1 ORIGINAL DOCUMENT

D-621-0002

X-ON Electronics

Largest Supplier of Electrical and Electronic Components

Click to view similar products for [Data Bus Components - Connectors](#) category:

Click to view products by [TE Connectivity](#) manufacturer:

Other Similar products are found below :

[891382-000](#) [626023-000](#) [855793-000](#) [D-500-0255-021-01CS252](#) [D-621-0211](#) [D-704-0079](#) [DK-621-0047-2PCS228](#) [DK-621-0412CS325](#)
[DK-621-1637-3P](#) [911225N001](#) [F33352-000](#) [187711-000](#) [201526-000](#) [491952-000](#) [D-600-0174](#) [D-621-0011CS1271](#) [D-621-0472](#) [D-711-03](#)
[DK-621-0050-1P](#) [DK-621-0412-UP](#) [DK-621-0440-4P-CS1498](#) [499725-000](#) [514433-000](#) [E40867-000](#) [614637N002](#) [645241N002](#) [734977-000](#)
[D-500-L455-1-612-360](#) [DK-621-0436-2P-CS1498](#) [041809-000](#) [199653-000](#) [580047-000](#) [608041-000](#) [DK-621-0411-45S](#) [DK-621-0411-US](#)
[DK-621-1633-1S](#) [DK-621-1635-2PCS324](#) [DK-621-1636-2S](#) [DK-621-1638-3S](#) [DK-621-1639-4S](#) [DK-621-1640-4P](#) [149317-000](#) [DK-621-](#)
[0435R-2S](#) [915480-000](#) [DK-621-0435-2UP](#) [D-621-0412-JD](#) [D-621-0477](#) [D-621-0412](#) [DK-621-0411-UP](#) [DK-621-0437-3S](#)