

SPST Momentary Key Switches



Features/Benefits

- Easy X, Y coding on single side PCB
- Positive tactile feedback
- High temperature
- Wide variety of colors & styles
- RoHS compliant and compatible

Typical Applications

- Video
- Electronic games
- Appliances

Construction

FUNCTION: momentary
 CONTACT ARRANGEMENT: 1 make contact (SPST), NO
 DISTANCE BETWEEN BUTTON CENTERS, MIN.: 12,7 (0.500)
 TERMINALS: PC pins

Electrical

SWITCHING POWER MAX.: 3 VA
 SWITCHING VOLTAGE MAX.: 32 V DC
 SWITCHING CURRENT MAX.: 100 mA DC
 DIELECTRIC STRENGTH (50 Hz / 1 min): 250 V
 OPERATING LIFE with max. switching power: (2,5x10⁵ operations)
 CONTACT RESISTANCE: ≤100 mΩ
 INSULATION RESISTANCE: ≥10⁸Ω
 BOUNCE TIME: ≤10 ms

Mechanical

SWITCHING TRAVEL: Version F1: ±.2±mm ≤ Te4bn) ≤ 1.± mm
 Version F2: ±.3± mm ≤ Te4bn) ≤ 1.1 mm
 OPERATING FORCE: Version F1: ±.8N ≤ Fa ≤1.8N
 Version F2: 2.±N ≤ Fa ≤ 3.5N

Environmental

OPERATING TEMPERATURE: -20°C to 85°C.

Process

SOLDERABILITY:

Hand soldering: 350°C for 3 seconds
 Wave or bath soldering: 260°C for 5 seconds
 Cleaning: Not washable

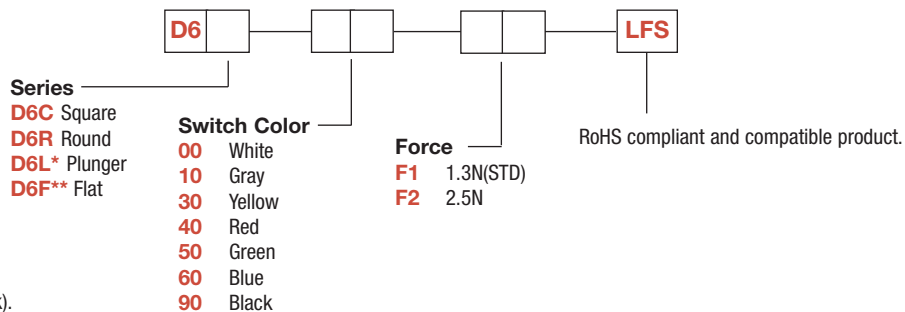
PACKAGING:

The D6 switches are delivered in boxes containing 10 trays with 250 pieces each: Total 2,500 pieces per box.
 The D6 buttons are delivered in bulk with 2500 pieces per box.

How To Order

Our easy build-a-switch concept allows you to mix and match options to create the switch you need. To order, select desired option from each category and place it in the appropriate box.

Switch



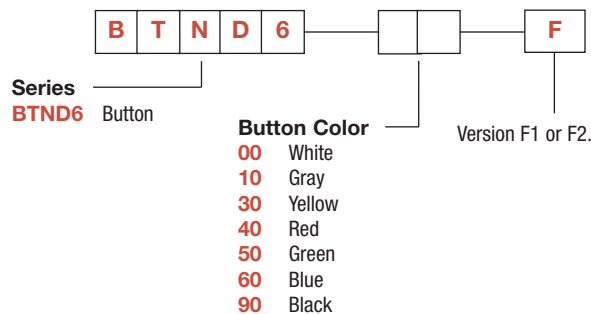
*Available only in color 90 (black).

** Available only in color 90 (black) and 00 (white).

Button

Buttons can be ordered separately.
 Shipped in bulk.

D6 button for use with D6C only.

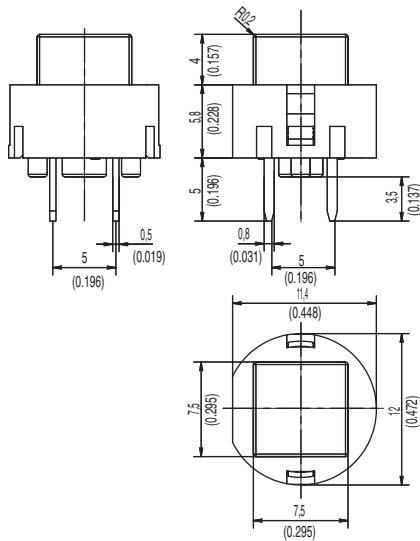


Dimensions are shown: mm (inch)
 Specifications and dimensions subject to change

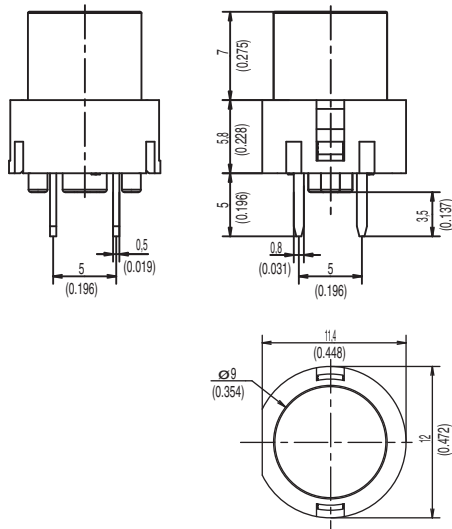
D6 SPST Momentary Key Switches

SERIES

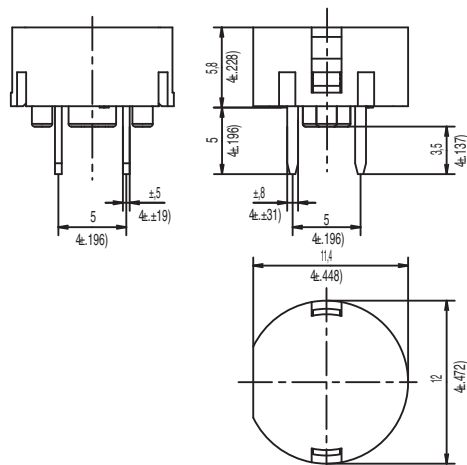
D6C



D6R



D6F



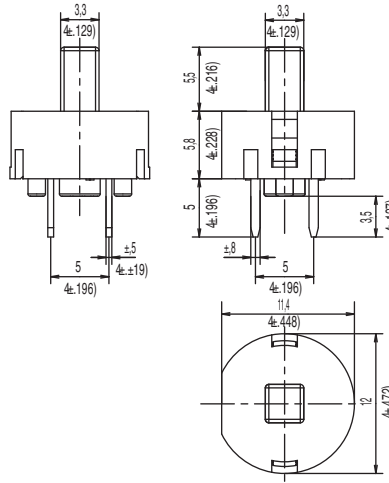
Dimensions are shown: mm (inch)
Specifications and dimensions subject to change



D6 SPST Momentary Key Switches

SERIES 

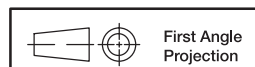
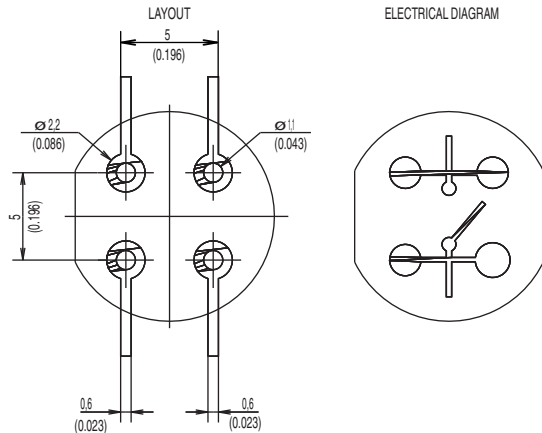
D6L ONLY AVAILABLE IN BLACK



SWITCH COLORS 

OPTION CODE	SWITCH COLOR
00	WHITE
10	GRAY
30	YELLOW
40	RED
50	GREEN
60	BLUE
90	BLACK

PCB LAYOUT



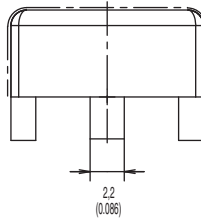
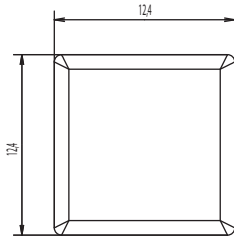
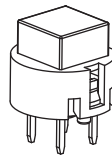
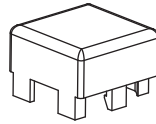
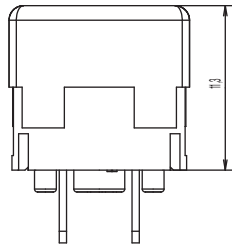
Dimensions are shown: mm (inch)
Specifications and dimensions subject to change

D6 SPST Momentary Key Switches

BUTTON AVAILABLE

BTND6 Buttons must be ordered separately. Shipped in bulk.

NOTE: Only compatible with D6C.



OPTION CODE	BUTTON COLOR
00	WHITE
10	GRAY
30	YELLOW
40	RED
50	GREEN
60	BLUE
90	BLACK



Key Switches



Dimensions are shown: mm (inch)
Specifications and dimensions subject to change

www.ck-components.com

X-ON Electronics

Largest Supplier of Electrical and Electronic Components

Click to view similar products for [c&k manufacturer](#):

Other Similar products are found below :

[ESMK1215NCL130](#) [QS1 KQS1 BK S C 773302263](#) [473202000](#) [479603000](#) [121280](#) [4151](#) [604039](#) [SERU AU BRAUN 110036](#)
[7101J50V5QE2](#) [7101K2CWZBE](#) [7101MD9ABE2](#) [7101SDV7QE](#) [7101SDZBE2](#) [7103T1CWV3GE](#) [7105K2CWZQE](#) [7105TCWZBES](#)
[7108J2ZQE1](#) [7201TCWCBE](#) [7203MCWCQE](#) [7203T1ZQE](#) [7207SYCBE](#) [7208L41YZQE](#) [7211SPY3AV2SE2](#) [7215J1AV2BE2](#) [7215JBV6BE](#)
[7215L3YZQE](#) [ET05LD1AGE](#) [ET05MD1AVBE](#) [7401J3ZQE3](#) [7405MHZBE](#) [7411J3ZQE1](#) [752708000](#) [FA0115RN02Q](#) [8161LHZ3QE22](#)
[8161LHZQE2](#) [FLT 2U EE 01A](#) [MMGGF5L0T](#) [MP01R133CBE](#) [A10403RNZQE](#) [1.20123.0050000](#) [A11205RNZQ](#) [A20303RNCG](#)
[A20605RNZQ](#) [A30415RSCG](#) [12TL402](#) [ADPFF3J04AW](#) [1.30070.0011002](#) [DM22J11S205PQ](#)