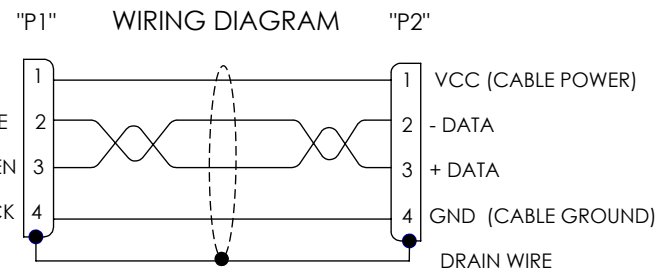
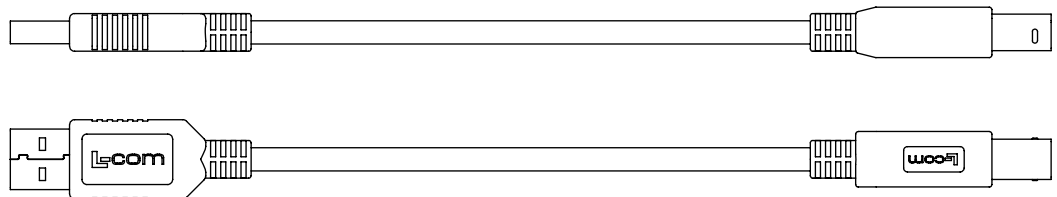
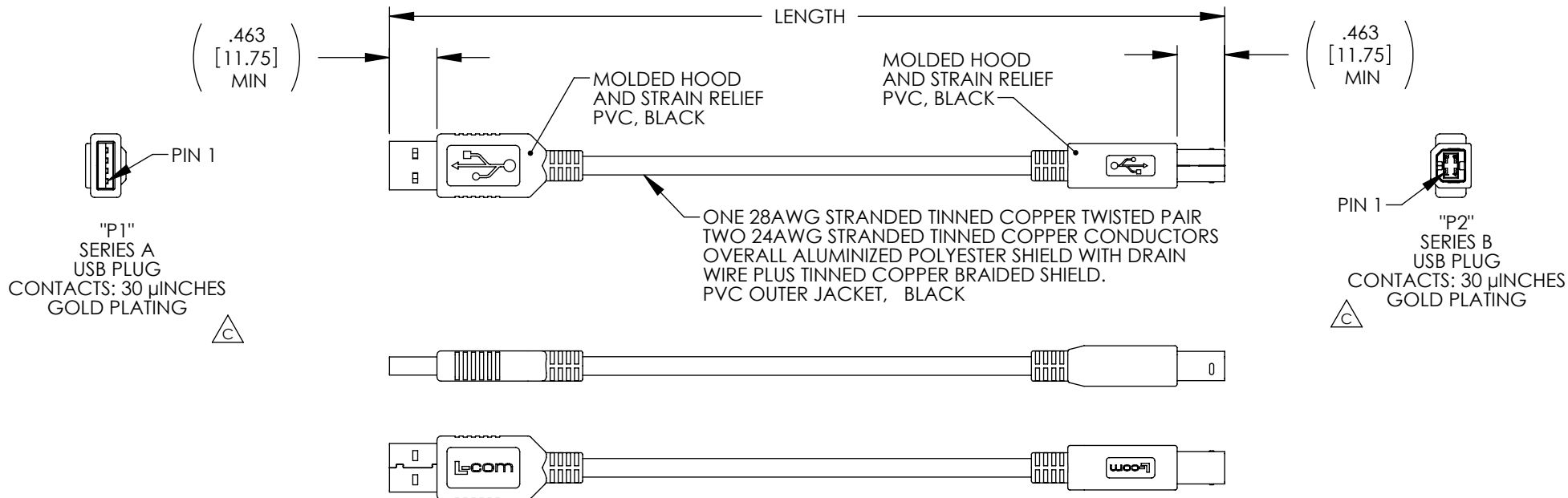


THE INFORMATION CONTAINED IN THIS DRAWING IS THE SOLE PROPERTY OF L-COM, INC. ANY REPRODUCTION IN PART OR WHOLE WITHOUT THE WRITTEN PERMISSION OF L-COM, INC. IS PROHIBITED.

**RoHS Compliant** ✓

REVISIONS			
REV	DESCRIPTION	DATE	APPROVED
A	INITIAL RELEASE	6/22/10	D.GRIFFIN
B	ECN 5868: ADDED LENGTHS 03 M, 075 M	12/2/11	D.FRISIELLO
C	ECN6237: ADDED CONTACT PLATING NOTE, UPDATED L-COM LOGO	09/14/12	DFP



PART NUMBER	LENGTH	
	METERS	FEET
CAUBLKAB-03M	0.3	[.98]
CAUBLKAB-05M	0.5	[1.64]
CAUBLKAB-075M	0.75	[2.46]
CAUBLKAB-1M	1.0	[3.28]
CAUBLKAB-2M	2.0	[6.56]
CAUBLKAB-3M	3.0	[9.84]
CAUBLKAB-4M	4.0	[13.12]
CAUBLKAB-5M	5.0	[16.41]

- NOTES:
1. CABLE ASSEMBLIES ARE CONSTRUCTED TO MEET USB 2.0 REQUIREMENTS.
  2. CABLE ASSEMBLIES SHALL HAVE 360° SHIELD TERMINATION.
  3. CONNECT DRAIN WIRE TO CONNECTOR SHELLS.
  4. CABLE ASSEMBLIES SHALL BE TESTED FOR CONTINUITY.
  5. CABLE ASSEMBLIES SHALL BE INDIVIDUALLY PACKAGED IN ACCORDANCE WITH L-COM SPEC. PS-0031.

UNLESS OTHERWISE SPECIFIED, DIMENSIONS ARE IN INCHES [mm] OVERALL CABLE LENGTH TOLERANCE: ≤12 [305] = +1 [25] / -0 >12 [305] ≤60 [1524] = +2 [51] / -0 >60 [1524] ≤120 [3048] = +4 [102] / -0 >120 [3048] ≤300 [7620] = +6 [152] / -0 >300 [7620] = +3% / -0%	APPROVALS	DATE	<b>L-com</b> Global Connectivity 45 BEECHWOOD DRIVE NORTH ANDOVER, MA 01845
	DRAWN BY D. CASTRO	6/21/10	
ALL OTHER DIMENSIONAL TOLERANCES: .X = ±.2 .XX = ±.02 .XXX = ±.005	CHECKED BY D. FRISIELLO	6/21/10	CATEGORY USB
	APPROVED BY S. SMITH	6/21/10	PRODUCT DESCRIPTION CBL,USB A/B BLK
PROJECTION 	CONFIGURATION DETAILS OF UNDIMENSIONED FEATURES MAY VARY	COLOR VARIATIONS MAY OCCUR	SIZE <b>A</b>
REF	SCALE: NONE	FSCM NO. <b>43321</b>	DWG. NO. CAUBLKAB
		CAD FILE: CAUBLKAB.SLDDRW	REV. <b>C</b>
			SHEET 1 OF 1

## X-ON Electronics

Largest Supplier of Electrical and Electronic Components

*Click to view similar products for [l-com manufacturer](#):*

Other Similar products are found below :

[FOA-550A](#) [UMC-201](#) [CSMN50MF-5](#) [CSMNB15MF-15](#) [TRD815RA2BL-5](#) [CA3N050](#) [CA3A-90DA-1M](#) [CTLF3VGAMM-20](#) [HDCAMM-3](#)  
[U3A00014-03M](#) [ECF-SK-25](#) [CSMT15MF-10](#) [CSMT15MM-15](#) [CSMT15MM-25](#) [CSPL15MF-50](#) [CSPL25MF-25](#) [CSPL9MF-10](#) [CSPL9MF-](#)  
[5](#) [CSPL25MF-5](#) [CSPL25MF-2.5](#) [AL-IPEPS](#) [NB201611-10F-1](#) [TDG1026KC5-MNL](#) [NB121005-10F](#) [TRD855SRA6DBL-10M](#)  
[TRD855SRA7DBL-1M](#) [TRD855SRA7DBL-10M](#) [PR175SCDLCQ24](#) [TRG508-T4T-3M](#) [TRA5261-15F](#) [TRA5261S-1F](#) [TRA6261-1F](#)  
[USBBFT](#) [DGB25M](#) [CASATAL-18](#) [CSM25MM-10](#) [CSM37MF-10](#) [CSUSB-100](#) [CA3A-90RA-1M](#) [CA3A-90RMICB-1M](#) [U2A00003-3M](#)  
[U3A00003-05M](#) [U2A00008-12I](#) [U3A00007-075M](#) [U3A00007-1M](#) [CSMT15MF-5](#) [CSMT15MM-50](#) [CSPL15MF-25](#) [LPXT-WP-PMT](#)  
[CSMT15MF-50](#)