

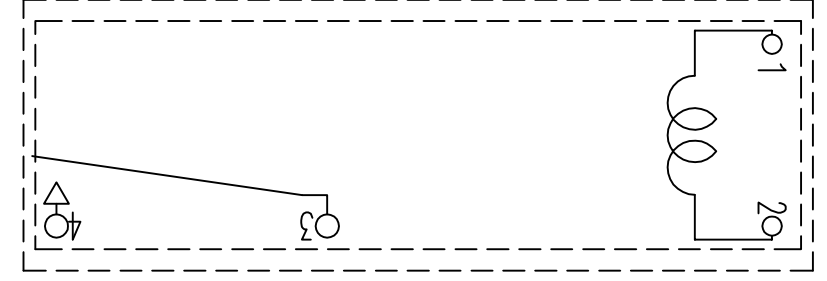
CUSTOMER DRAWING		SCALE 5:1	SHEET 1 OF 2	REV A
WEIGHT	CAGE CODE 00779	DRAWING NO 1721142	RESTRICTED TO	
APPLICATION SPEC	PRODUCT SPEC	PCU SPEC, 301Y	APVD SUNNY ZHANG	
APVD	CHK BANGHUA YU	DWN FENGSHENG HU	Tyco Electronics Shenzhen, China	

MATERIAL	FINISH
0 PLC	±
1 PLC	±
2 PLC	±
3 PLC	±
4 PLC	±
ANGLES	±

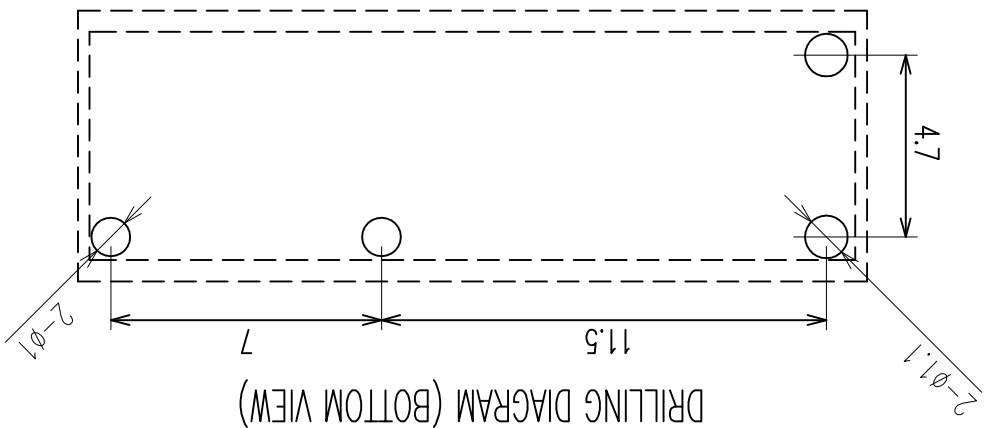
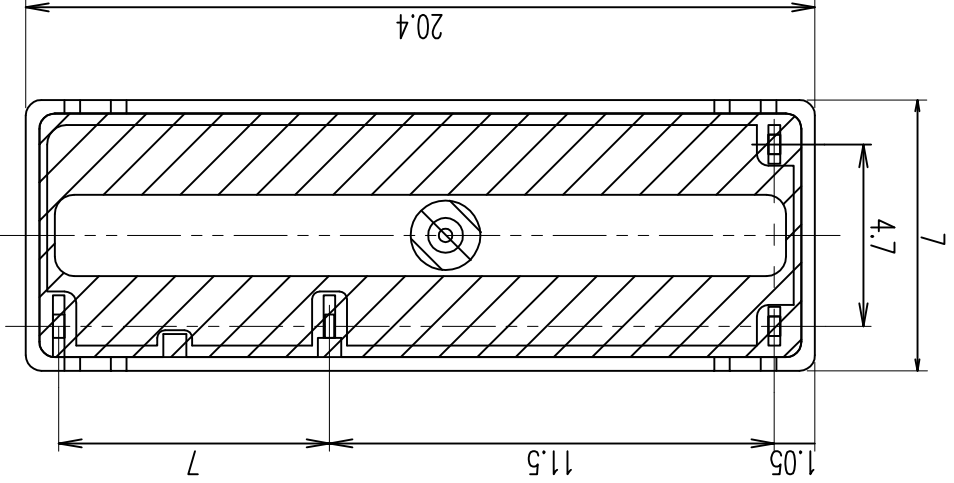
THIS DRAWING IS A CONTROLLED DOCUMENT FOR TYCO ELECTRONICS CORPORATION. IT IS SUBJECT TO CHANGE AND THE CONTROLLING ENGINEERING ORGANIZATION SHOULD BE CONTACTED FOR THE LATEST REVISION. TOLERANCES UNLESS OTHERWISE SPECIFIED:

DIMENSIONS:	mm
THIS DRAWING IS UNPUBLISHED.	
RELEASED FOR PUBLICATION	
© COPYRIGHT BY TYCO ELECTRONICS CORPORATION. ALL RIGHTS RESERVED.	

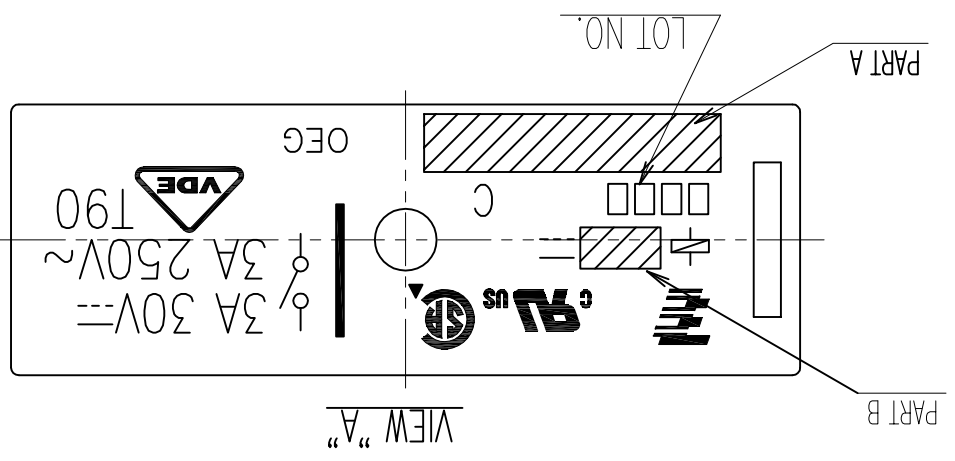
NOTE:
1. LOT NO SYSTEM AS FOLLOWING:
YEAR
WEEK



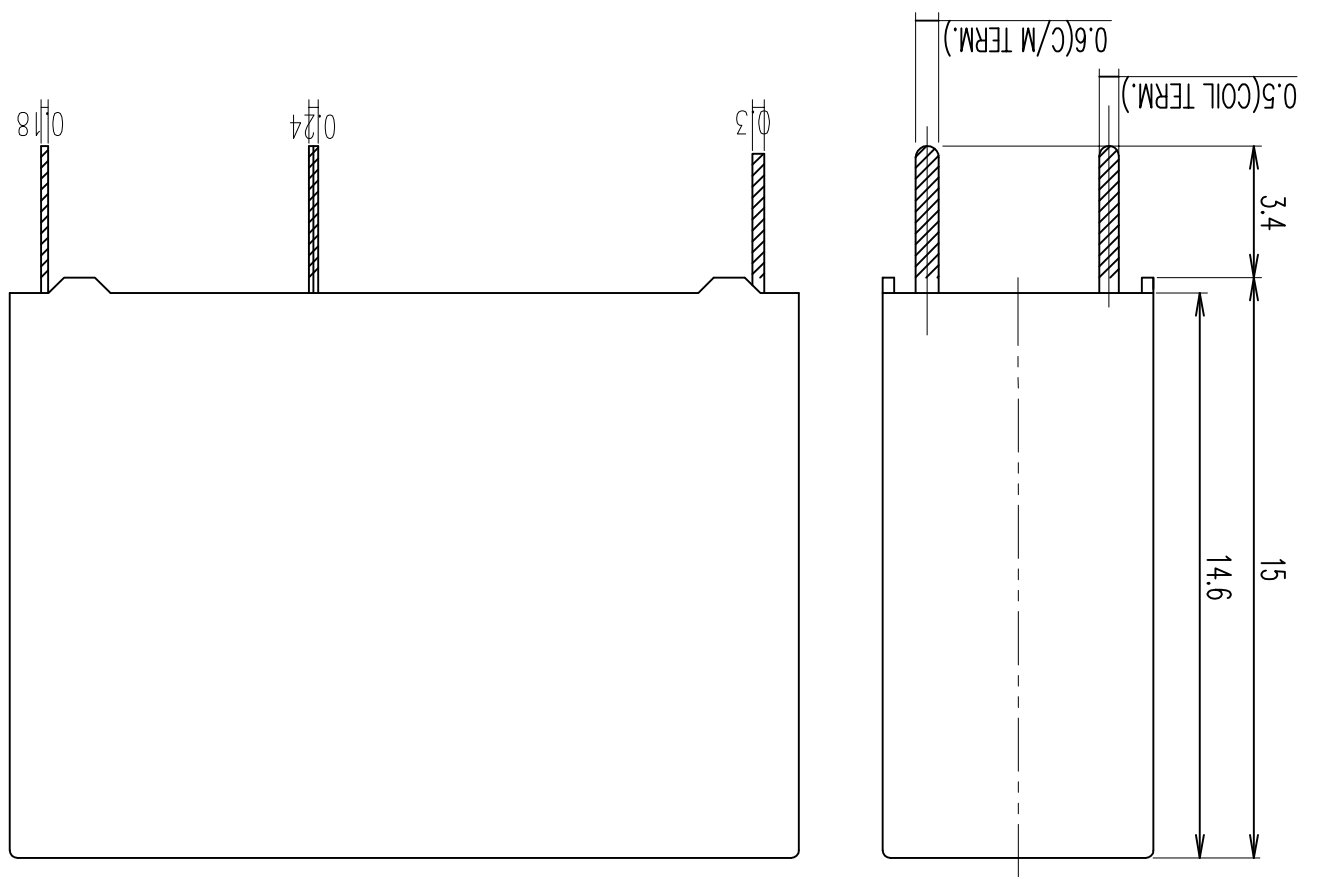
CIRCUIT DIAGRAM (BOTTOM VIEW)



DRILLING DIAGRAM (BOTTOM VIEW)



VIEW "A"



↑ "A"

LOC HB	DIST	P LTR	A	RELEASE	10-MAR-10	FS.H BH.Y
		DESCRIPTION	ECN	DATE	DWN APVD	
REVISIONS						

1

2

3

4

P	LTR	DESCRIPTION	ECN	DATE	DWN	APVD

REVISIONS

1

2

3

4

No	EC TYPE NAME	TE PART NO	PACKAGING SPECIFICATION	DESCRIPTION	PART B	PART A
n	PCJ-124D3MH,301Y	2-1721142-8	107-79014 (TRAY)	SEAL UP INSPECTION ON EVERY PRODUCT	24V	PCJ-124D3MH
m	PCJ-118D3MH,301Y	-	107-79014 (TRAY)	SEAL UP INSPECTION ON EVERY PRODUCT	18V	PCJ-118D3MH
l	PCJ-112D3MH,301Y	2-1721142-6	107-79014 (TRAY)	SEAL UP INSPECTION ON EVERY PRODUCT	12V	PCJ-112D3MH
k	PCJ-109D3MH,301Y	-	107-79014 (TRAY)	SEAL UP INSPECTION ON EVERY PRODUCT	9V	PCJ-109D3MH
j	PCJ-106D3MH,301Y	-	107-79014 (TRAY)	SEAL UP INSPECTION ON EVERY PRODUCT	6V	PCJ-106D3MH
i	PCJ-105D3MH,301Y	-	107-79014 (TRAY)	SEAL UP INSPECTION ON EVERY PRODUCT	5V	PCJ-105D3MH
h	PCJ-103D3MH,301Y	-	107-79014 (TRAY)	SEAL UP INSPECTION ON EVERY PRODUCT	3V	PCJ-103D3MH
g	PCJ-124D3M,301Y	2-1721142-1	107-79014 (TRAY)	SEAL UP INSPECTION ON EVERY PRODUCT	24V	PCJ-124D3M
f	PCJ-118D3M,301Y	-	107-79014 (TRAY)	SEAL UP INSPECTION ON EVERY PRODUCT	18V	PCJ-118D3M
e	PCJ-112D3M,301Y	1-1721142-9	107-79014 (TRAY)	SEAL UP INSPECTION ON EVERY PRODUCT	12V	PCJ-112D3M
d	PCJ-109D3M,301Y	-	107-79014 (TRAY)	SEAL UP INSPECTION ON EVERY PRODUCT	9V	PCJ-109D3M
c	PCJ-106D3M,301Y	-	107-79014 (TRAY)	SEAL UP INSPECTION ON EVERY PRODUCT	6V	PCJ-106D3M
b	PCJ-105D3M,301Y	-	107-79014 (TRAY)	SEAL UP INSPECTION ON EVERY PRODUCT	5V	PCJ-105D3M
a	PCJ-103D3M,301Y	-	107-79014 (TRAY)	SEAL UP INSPECTION ON EVERY PRODUCT	3V	PCJ-103D3M

RELAY TYPE

ITEM	DESCRIPTION	MATERIAL	TREATMENT	INCOMBUSTIBILITY
1	BOBBIN	PBT		94V-0
2	COIL TERMINAL A	Cu ALLOY	SOLDER DIP	
3	COIL TERMINAL B	Cu ALLOY	SOLDER DIP	
4	YOKE	STEEL	NIP	
5	CORE	STEEL	NIP	
6	ARMATURE	STEEL	NIP	
7	HINGE SPRING	STAINLESS		
8	BASE	PBT		94V-0
9	MOVABLE SPRING	Cu ALLOY	SOLDER DIP	
10	MOVABLE CONTACT	Ag ALLOY		
11	STATIONARY TERMINAL	Cu ALLOY	SOLDER DIP	
12	STATIONARY CONTACT	Ag ALLOY		
13	CARD	PBT		94V-0
14	MAGNETIC WIRE	3UEW		
15	SEAL(CASE AND BASE)	EPOXY		
16	SEAL(BASE)	UV		
17	CASE	PBT		94V-0
18	SOLDER	Sn-Ag-Cu		

THIS DRAWING IS A CONTROLLED DOCUMENT FOR TYCO ELECTRONICS CORPORATION. IT IS SUBJECT TO CHANGE AND THE CONTROLLING ENGINEERING ORGANIZATION SHOULD BE CONTACTED FOR THE LATEST REVISION.

TOLERANCES UNLESS OTHERWISE SPECIFIED:

0 PLC
1 PLC
2 PLC
3 PLC
4 PLC
ANGLES

FINISH

±
±
±
±
±

APVD: _____
CHK: _____
DWN: _____

NAME: PCJ SPEC, 301Y
Tyco Electronics
Shenzhen, China

WEIGHT: _____
APPLICATION SPEC: _____
PRODUCT SPEC: _____

SIZE: A3
CAGE CODE: 00779
DRAWING NO: 1721142

CUSTOMER DRAWING

SCALE 5:1
SHEET 2 OF 2
REV A

A

B

C

D

A

B

C

D

X-ON Electronics

Largest Supplier of Electrical and Electronic Components

Click to view similar products for [General Purpose Relays](#) category:

Click to view products by [TE Connectivity](#) manufacturer:

Other Similar products are found below :

[APF30318](#) [JVN1AF-4.5V-F](#) [PCN-105D3MHZ](#) [5JO-10000S-SIL](#) [5JO-1000CD-SIL](#) [5JO-400CD-SIL](#) [LY2S-AC220/240](#) [LYQ20DC12](#)
[6031007G](#) [6131406HQ](#) [6-1393099-3](#) [6-1393099-8](#) [6-1393122-4](#) [6-1393123-2](#) [6-1393767-1](#) [6-1393843-7](#) [6-1415012-1](#) [6-1419102-2](#) [6-](#)
[1423698-4](#) [6-1608051-6](#) [6-1608067-0](#) [6-1616170-6](#) [6-1616248-2](#) [6-1616282-3](#) [6-1616348-2](#) [6-1616350-1](#) [6-1616350-8](#) [6-1616358-7](#) [6-](#)
[1616359-9](#) [6-1616360-9](#) [6-1616931-6](#) [6-1617039-1](#) [6-1617052-1](#) [6-1617090-2](#) [6-1617090-5](#) [6-1617347-5](#) [6-1617353-3](#) [6-1617801-8](#) [6-](#)
[1617802-2](#) [6-1618107-9](#) [6-1618248-4](#) [M83536/1-027M](#) [CX-4014](#) [MAHC-5494](#) [MAVCD-5419-6](#) [703XCX-120A](#) [7-1393100-5](#) [7-1393111-7](#)
[7-1393144-5](#) [7-1393767-8](#)