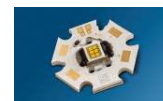


Iris lens for Osram Ostar Lighting LEDs



**APPLICATIONS: TORCH LIGHTS,
DOWNLIGHTS, SPOTLIGHTS**



- Specially designed for the new Osram Ostar lighting with Star PCB
- Lens material optical grade PMMA with high UV and temperature resistance (105°C/220°F).
- Holder material PC. Allows use of high current and temperature conditions
- Highest practically available optical efficiency on the market
- Very even color distribution over the whole beam angle.
- Fastening to PCB and heat sink with screws or with appropriate adhesive, e.g. Loctite 460 or other epoxy or polyurethane. **NOTE: DO NOT USE SUPERGLUE.** If you decide to use glue only, please take special care of correct positioning.

LENS TYPES

NAME	ORDERING CODE	FWHM Angle
Iris lens	CA10861_Iris	±5.5°
Iris lens + Sub lens	CA10953_Iris-M	±14.8

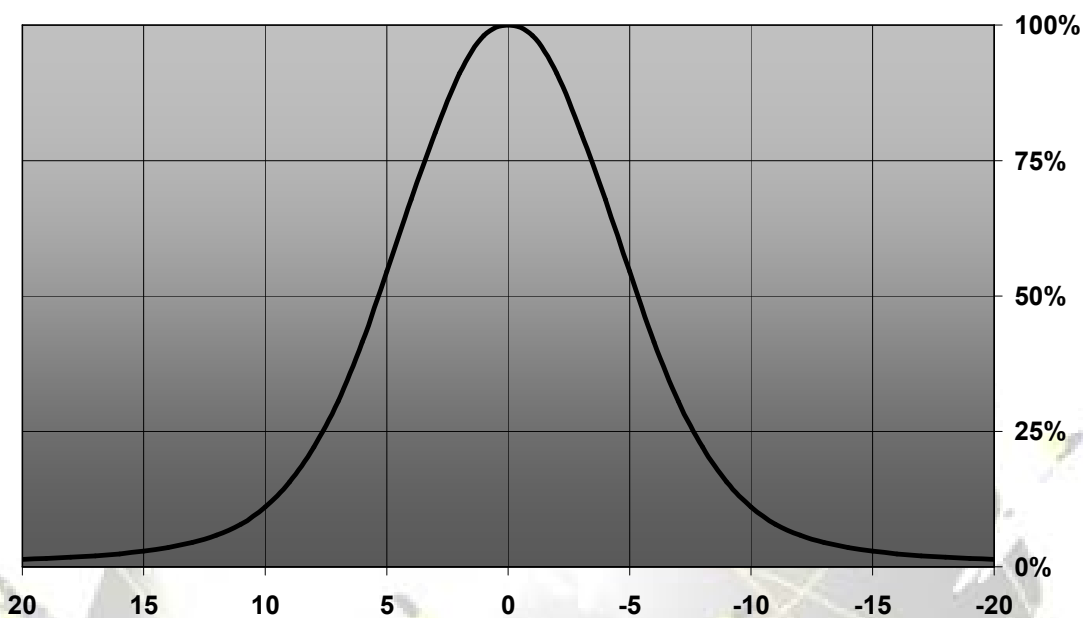


CA10861_Iris

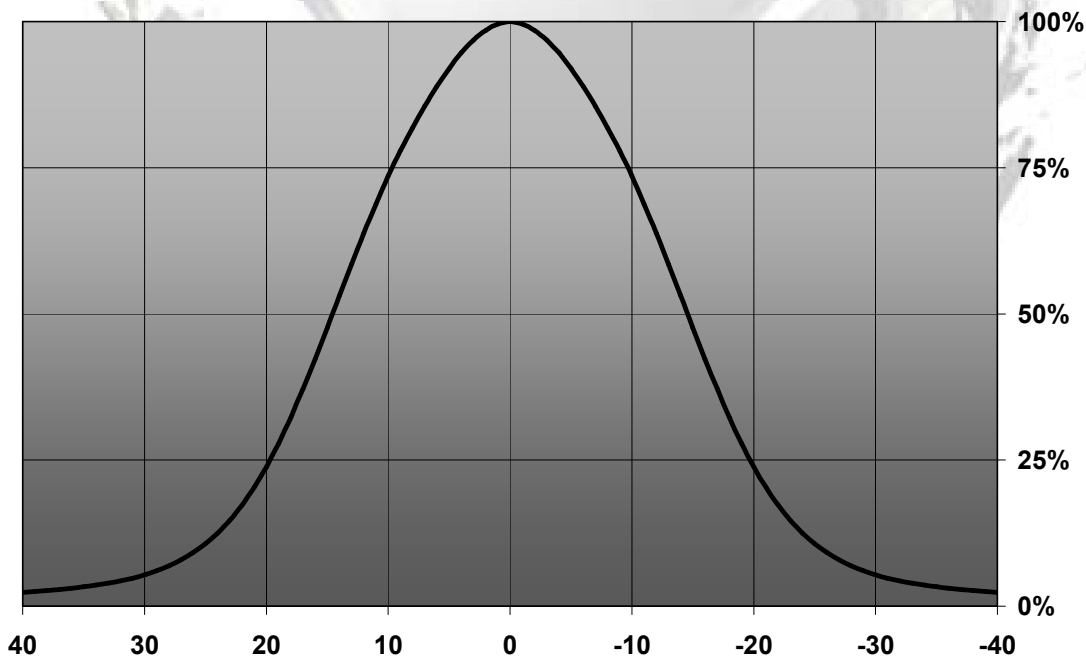


CA10908_Iris-M

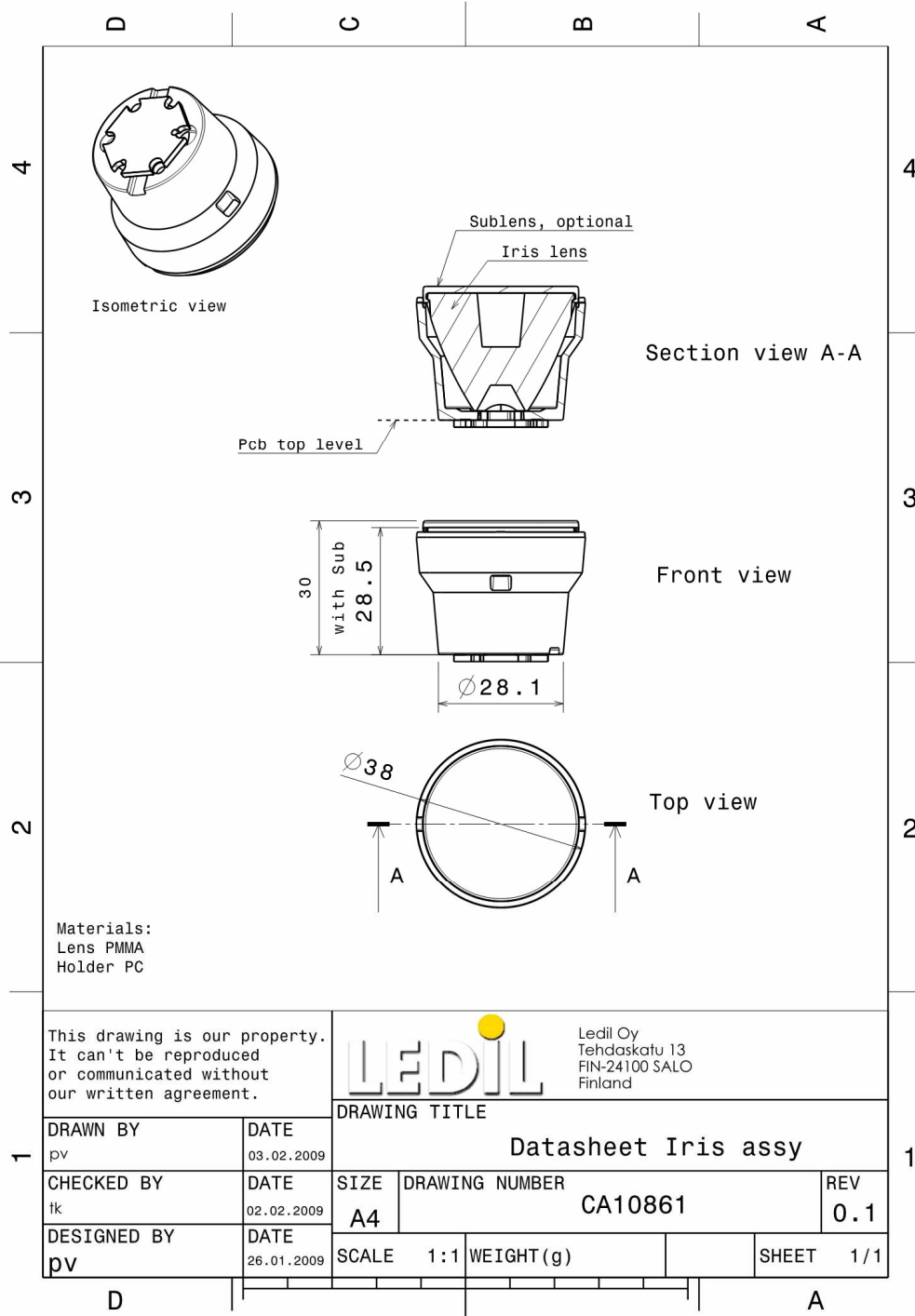
Relative Intensity of CA10861_Iris



Relative Intensity of CA10908_Iris-M



© Ledil Oy – PRELIMINARY - Subject to change without prior notice



NOTE: DELIVERED UNASSEMBLED

X-ON Electronics

Largest Supplier of Electrical and Electronic Components

Click to view similar products for [LED Lenses](#) category:

Click to view products by [Ledil](#) manufacturer:

Other Similar products are found below :

[131A-303G](#) [131A-304R](#) [139A-403R](#) [139A-403A](#) [160A-604R](#) [160A-604Y](#) [SMB_200_GTP](#) [SMQ_250_ATP](#) [SMS_172_RTP](#) [SQB_400_ATP](#)
[SSN-LX13049L-CD](#) [SSN-LX18754A](#) [SSN-LX18754C](#) [2817](#) [CLR_301_YTP](#) [CMC_313_ATP](#) [3121](#) [3124](#) [3125](#) [39-30-W03](#) [4344](#) [4623](#)
[4745](#) [4747](#) [3111](#) [3114](#) [3115](#) [3121](#) [3122](#) [3124](#) [3125](#) [4327](#) [4743](#) [4745](#) [4752](#) [4757](#) [SSN-LX690L1-C](#) [SQL_360_YTP](#) [SMQ_250_BTP](#) [3114](#)
[3113](#) [CMS444CTP](#) [1125-227-000](#) [4317](#) [4347](#) [4741](#) [4316](#) [4343](#) [4345](#) [4345](#)