

Iris series



Ordering number CA10861
Description CA10861C_Iris-SRS

Family	Iris	FWHM	0 degrees
Type	Lens	Efficiency	-
LED	Ostar Lighting	cd/lm	-
Color	Black	Gerber File	Available
Diameter	38 mm		
Height	28.5 mm		
Style	Round		Shipped as unassembled - lens and holder
Optic Material	PMMA		
Holder Material	PC		
Fastening	-		
Status	Ready		



Ordering number CA11470
Description CA11470-Iris-O

Family	Iris	FWHM	40+30 degrees
Type	Lens	Efficiency	-
LED	Ostar Lighting	cd/lm	-
Color	Black	Gerber File	Available
Diameter	38 mm		
Height	28.5 mm		
Style	Round		
Optic Material	PMMA		
Holder Material	PC		
Fastening	-		
Status	Ready		

D

C

B

A

4

4

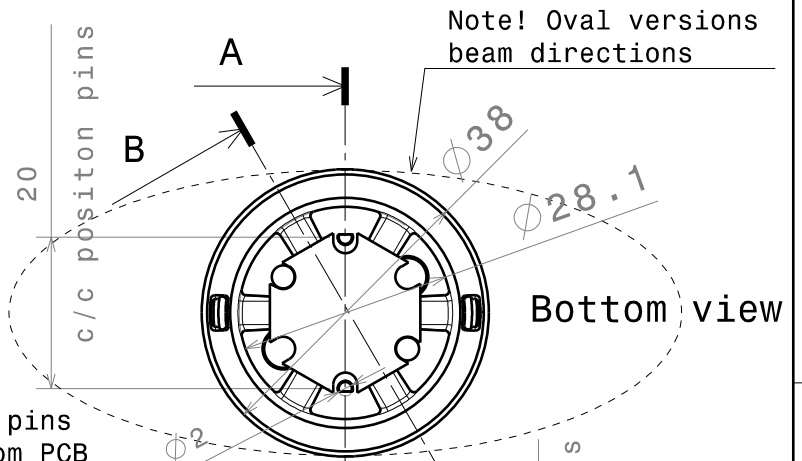
Optional Sublens

Iris Lens

Iris SST-Holder

Led

Section view A-A



Position pins for custom PCB

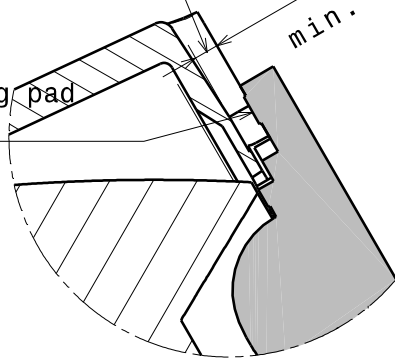
3

3

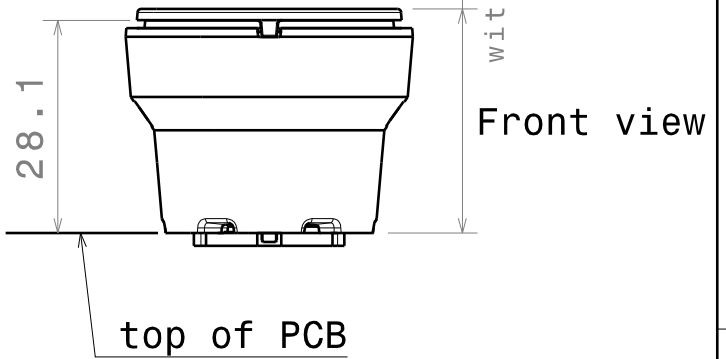
6x space for soldering&wires

soldering pad in PCB

1.1 min.



Section view B-B
Scale: 3:1



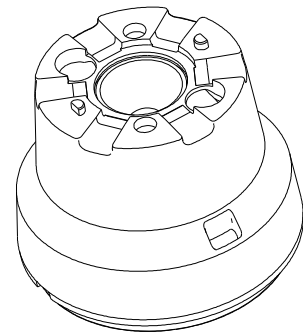
2

2

Materials:
Lens PMMA
Holder PC

Part no.s:
Spot CA11770_Iris-SST-50
Medium CA11771_Iris-M-SST-50
Oval CA11772_Iris-0-SST-50
Spot CA11770_Iris-SST-90
Medium CA11771_Iris-M-SST-90
Oval CA11772_Iris-0-SST-90

Isometric view, lenses& holder



This drawing is our property. It can't be reproduced or communicated without our written agreement.



Ledil Oy
Tehdaskatu 13
FIN-24100 SALO
Finland

DRAWING TITLE

Datasheet Iris-SST assy

1

1

DRAWN BY pv	DATE 29.10.2010
CHECKED BY tk	DATE 29.10.2010
DESIGNED BY pv	DATE 28.04.2010

SIZE A4	DRAWING NUMBER -	REV 1
SCALE 1:1	WEIGHT (g)	SHEET 1/1

D

A

D

C

B

A

4

4

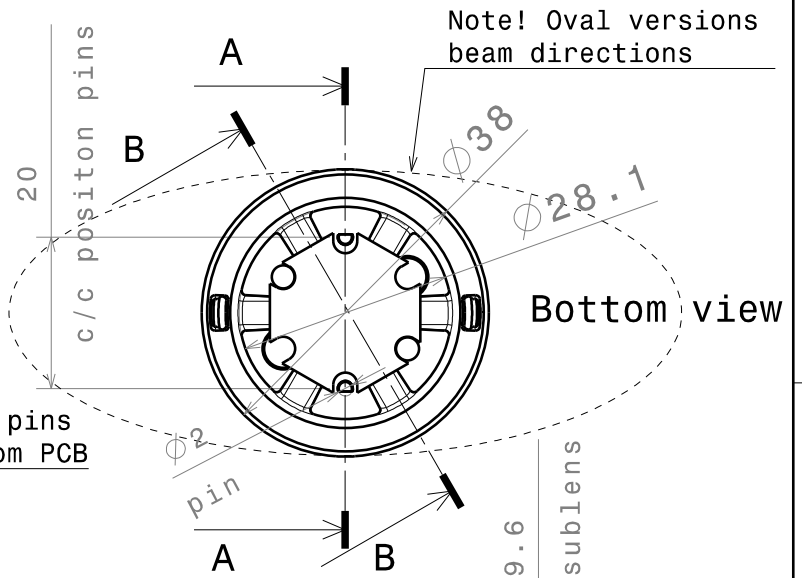
Optional Sublens

Iris Lens

Iris SST-Holder

Led

Section view A-A

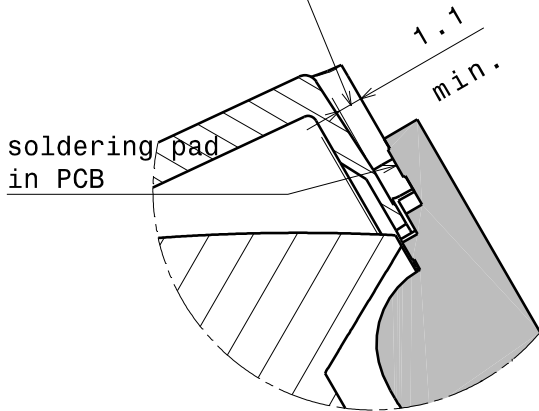


Position pins for custom PCB

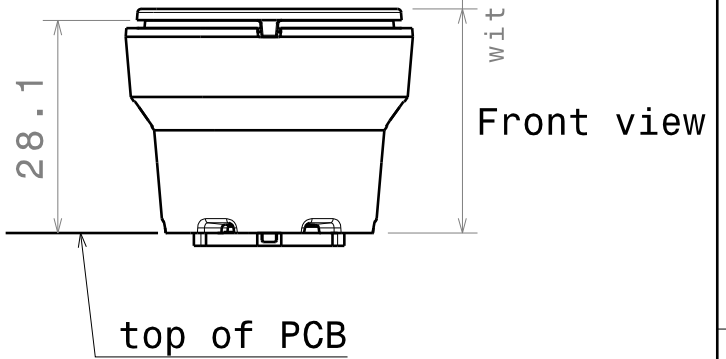
6x space for soldering&wires

3

3



Section view B-B
Scale: 3:1



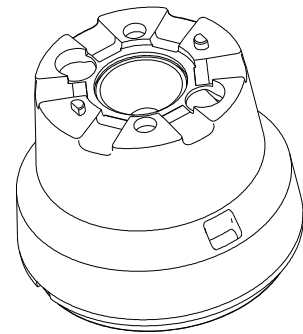
2

2

Materials:
Lens PMMA
Holder PC

Part no.s:
Spot CA11770_Iris-SST-50
Medium CA11771_Iris-M-SST-50
Oval CA11772_Iris-0-SST-50
Spot CA11770_Iris-SST-90
Medium CA11771_Iris-M-SST-90
Oval CA11772_Iris-0-SST-90

Isometric view, lenses& holder



This drawing is our property. It can't be reproduced or communicated without our written agreement.



Ledil Oy
Tehdaskatu 13
FIN-24100 SALO
Finland

DRAWING TITLE

Datasheet Iris-SST assy

1

1

DRAWN BY

pv

DATE

29.10.2010

CHECKED BY

tk

DATE

29.10.2010

DESIGNED BY

pv

DATE

28.04.2010

SIZE

A4

DRAWING NUMBER

-

REV

1

SCALE

1:1

WEIGHT (g)

SHEET

1/1

D

A

D

C

B

A

4

4

Optional Sublens

Iris Lens

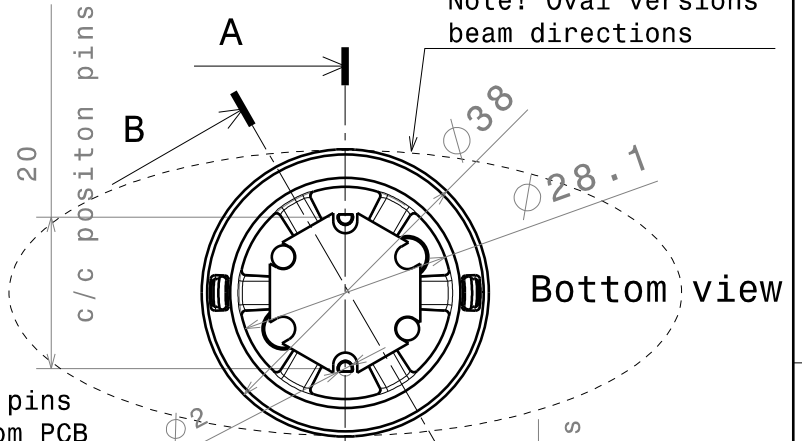
Iris SST-Holder

Led

Section view A-A

Position pins for custom PCB

Note! Oval versions beam directions

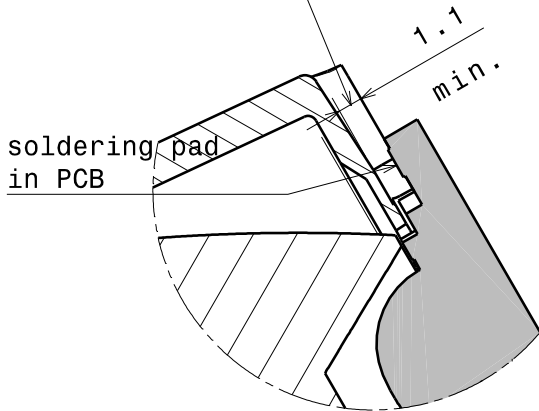


Bottom view

3

3

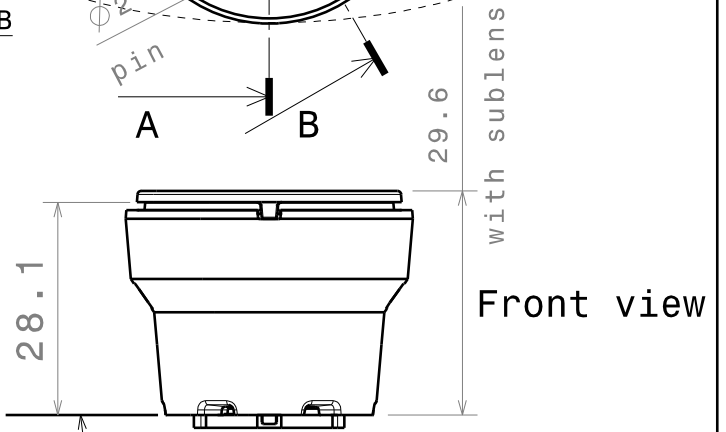
6x space for soldering&wires



soldering pad in PCB

1.1 min.

Section view B-B
Scale: 3:1



Front view

top of PCB

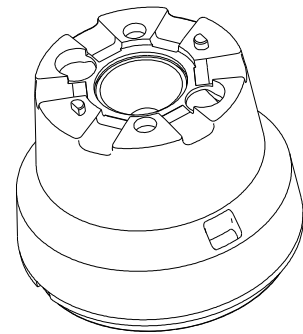
2

2

Materials:
Lens PMMA
Holder PC

Part no.s:
Spot CA11770_Iris-SST-50
Medium CA11771_Iris-M-SST-50
Oval CA11772_Iris-0-SST-50
Spot CA11770_Iris-SST-90
Medium CA11771_Iris-M-SST-90
Oval CA11772_Iris-0-SST-90

Isometric view, lenses & holder



This drawing is our property. It can't be reproduced or communicated without our written agreement.



Ledil Oy
Tehdaskatu 13
FIN-24100 SALO
Finland

DRAWING TITLE

Datasheet Iris-SST assy

1

1

DRAWN BY

pv

DATE

29.10.2010

CHECKED BY

tk

DATE

29.10.2010

DESIGNED BY

pv

DATE

28.04.2010

SIZE

A4

DRAWING NUMBER

-

REV

1

SCALE

1:1

WEIGHT (g)

SHEET

1/1

D

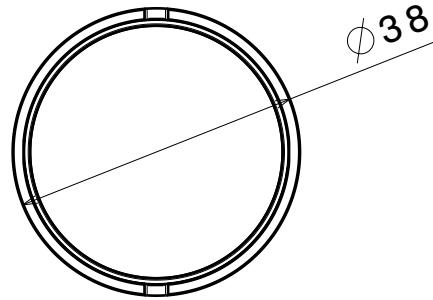
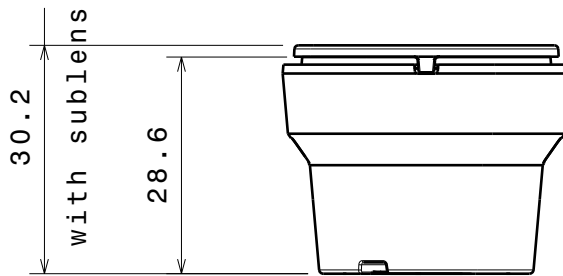
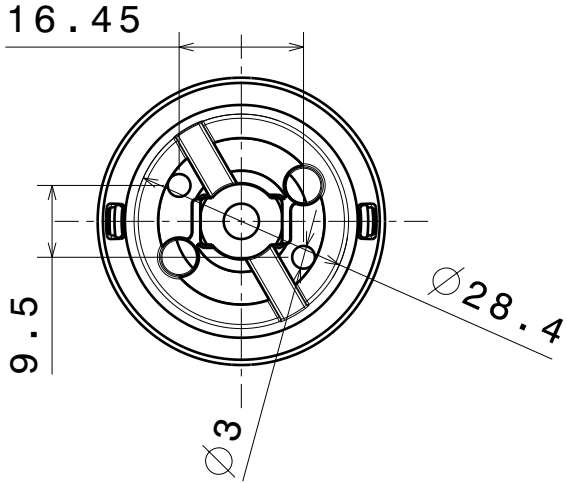
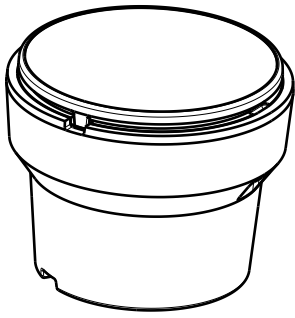
A

D

C

B

A



Materials:
 Lens PMMA
 Holder PC

Part no.s:
 CA10861B_Iris-IR
 CA10953B_Iris-M
 CA11533_Iris-IR-0

This drawing is our property.
 It can't be reproduced
 or communicated without
 our written agreement.



L
T
F
F

e
e
i
i
N
n

DRAWING TITLE

Datasheet Iris Ostar IR assy

DRAWN BY
p

DATE
03.02.2009

CHECKED BY
t k

DATE
02.02.2009

SIZE A4 DRAWING NUMBER - REV 1

DESIGNED BY
pv

DATE
26.01.2009

SCALE 1:1 WEIGHT (g) SHEET 1/1

D

A

4

4

3

3

2

2

1

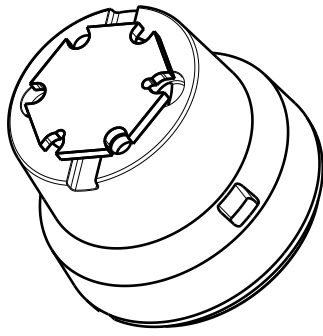
1

D

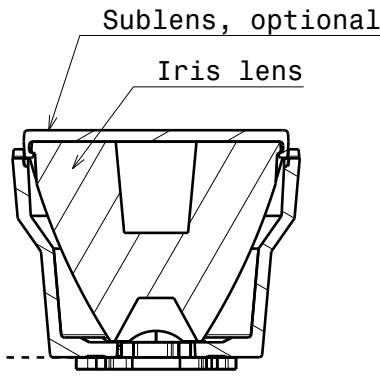
C

B

A

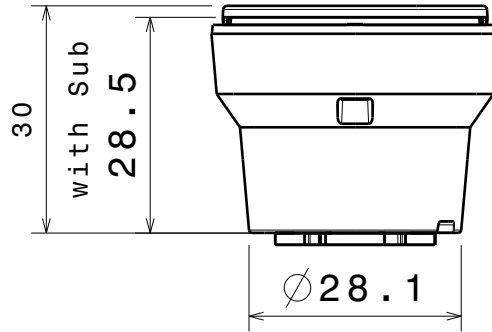


Isometric view

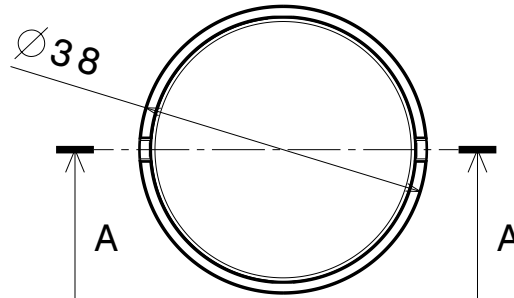


Section view A-A

Pcb top level



Front view



Top view

Materials:
 Lens PMMA
 Holder PC

Part no.s:
 Spot CA10861
 Medium CA10953
 Oval CA11470

This drawing is our property.
 It can't be reproduced
 or communicated without
 our written agreement.



L
T
F
F

e
e
i
i
N
n

d

DRAWING TITLE

Datasheet Iris MC/ Ostar assy

DRAWN BY p	DATE 03.02.2009
---------------	--------------------

CHECKED BY t k	DATE 02.02.2009
-------------------	--------------------

DESIGNED BY pv	DATE 26.01.2009
-------------------	--------------------

SIZE A4	DRAWING NUMBER -	REV 1
SCALE 1:1	WEIGHT (g)	SHEET 1/1

D

A

4

4

3

3

2

2

1

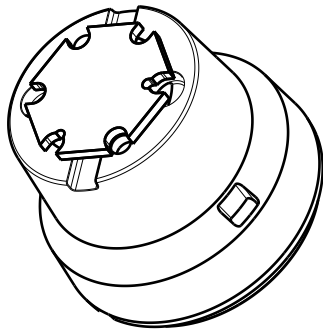
1

D

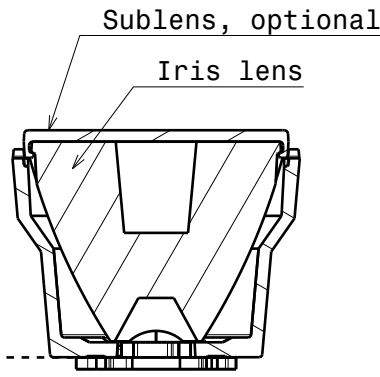
C

B

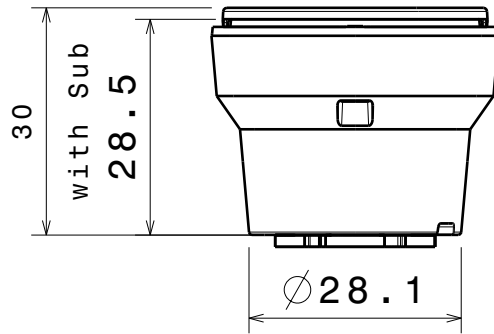
A



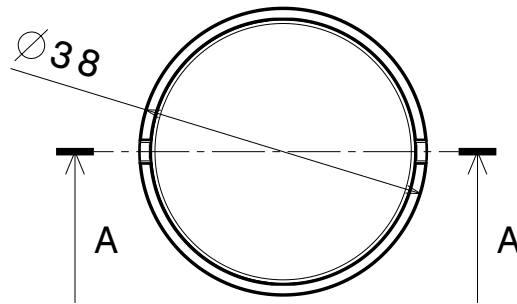
Isometric view



Section view A-A



Front view



Top view

Materials:
 Lens PMMA
 Holder PC

Part no.s:
 Spot CA10861
 Medium CA10953
 Oval CA11470

This drawing is our property.
 It can't be reproduced
 or communicated without
 our written agreement.



L
T
F
F

e
e
i
i
N
n

d

DRAWING TITLE

Datasheet Iris MC/ Ostar assy

DRAWN BY

DATE

03.02.2009

CHECKED BY

DATE

02.02.2009

DESIGNED BY

DATE

26.01.2009

SIZE

A4

DRAWING NUMBER

-

REV

1

SCALE

1:1

WEIGHT (g)

SHEET

1/1

D

A

4

4

3

3

2

2

1

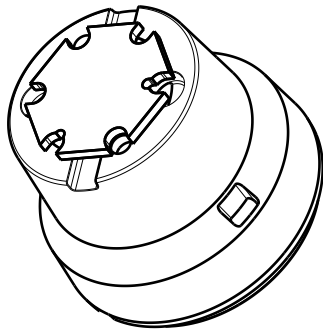
1

D

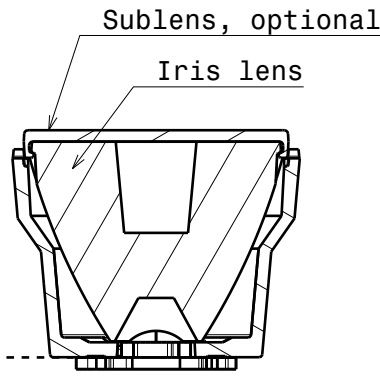
C

B

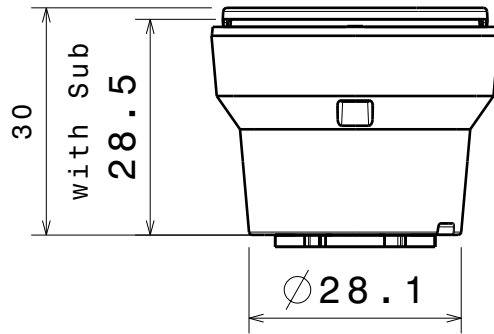
A



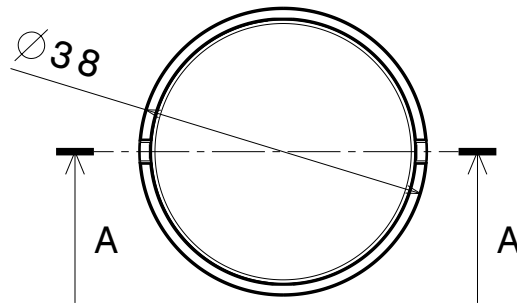
Isometric view



Section view A-A



Front view



Top view

Materials:
 Lens PMMA
 Holder PC

Part no.s:
 Spot CA10861
 Medium CA10953
 Oval CA11470

This drawing is our property.
 It can't be reproduced
 or communicated without
 our written agreement.



L
T
F
F

e
e
i
i
N
n

d

DRAWING TITLE

Datasheet Iris MC/ Ostar assy

DRAWN BY

DATE

03.02.2009

CHECKED BY

DATE

02.02.2009

DESIGNED BY

DATE

26.01.2009

SIZE

A4

DRAWING NUMBER

-

REV

1

SCALE

1:1

WEIGHT (g)

SHEET

1/1

D

A

4

4

3

3

2

2

1

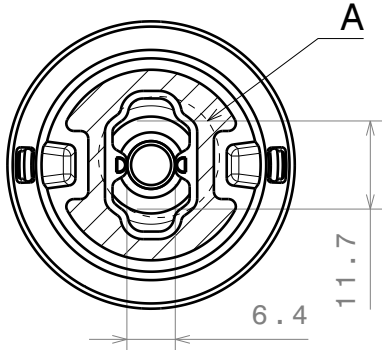
1

D C B A

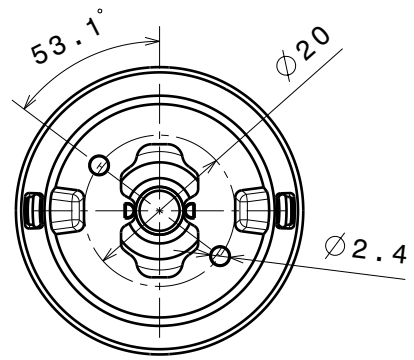
4



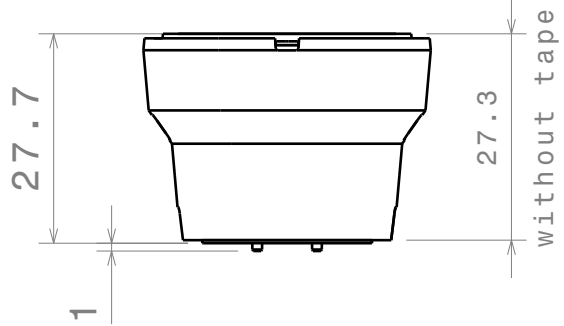
4



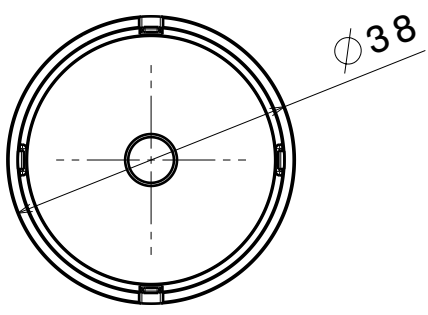
3



3



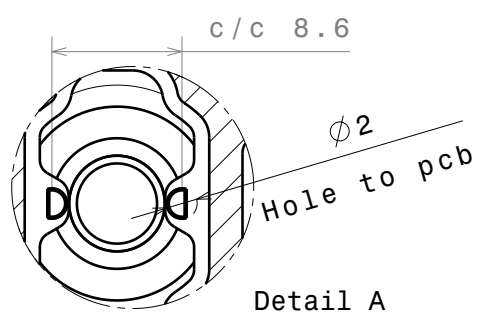
without tape



2

Materials:
 Lens PMMA
 Holder PC
 Tape PU Foam

2



Detail A
 Scale: 2:1

This drawing is our property.
 It can't be reproduced
 or communicated without
 our written agreement.



DRAWING TITLE

DRAWN BY
 p

DATE
 03.02.2011

Datasheet Iris-XM-tape assy

CHECKED BY
 h

DATE
 02.02.2011

SIZE
 A4

DRAWING NUMBER
 -

REV
 1

DESIGNED BY
 ol

DATE
 19.03.2010

SCALE 1:1

WEIGHT (g)

SHEET

1/1

1

1

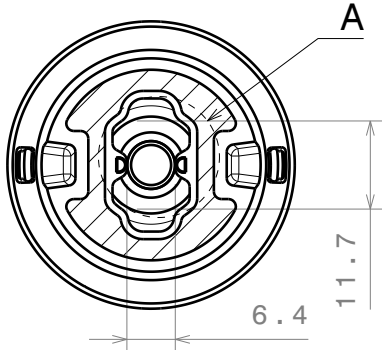
D A

D C B A

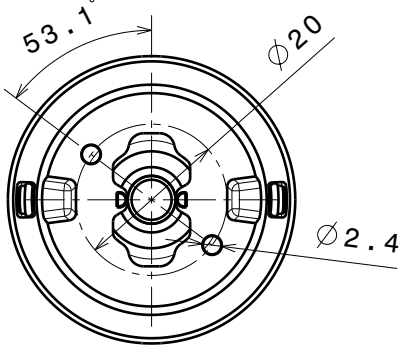
4



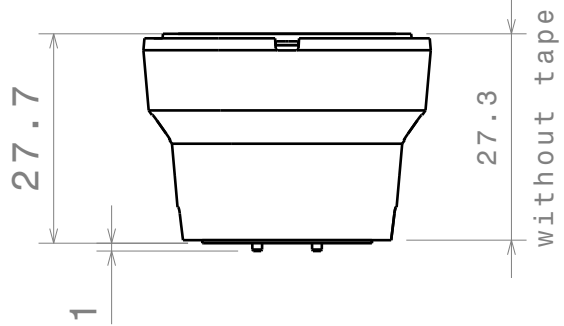
4



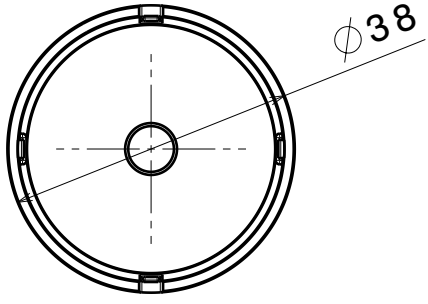
3



3



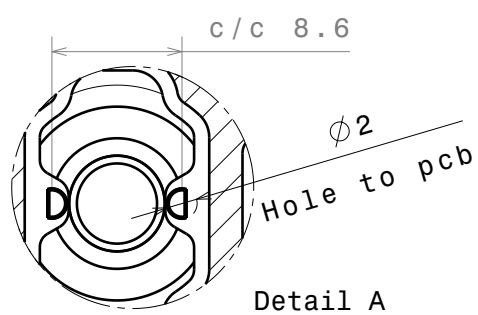
without tape



2

Materials:
 Lens PMMA
 Holder PC
 Tape PU Foam

2



Detail A
 Scale: 2:1

This drawing is our property.
 It can't be reproduced
 or communicated without
 our written agreement.



L T F F
 e e i n
 i n

DRAWING TITLE

Datasheet Iris-XM-tape assy

DRAWN BY
 p
 DATE
 03.02.2011

CHECKED BY
 h
 DATE
 02.02.2011

DESIGNED BY
 ol
 DATE
 19.03.2010

SIZE A4 DRAWING NUMBER - REV 1

SCALE 1:1 WEIGHT (g) SHEET 1/1

1

1

D A

D

C

B

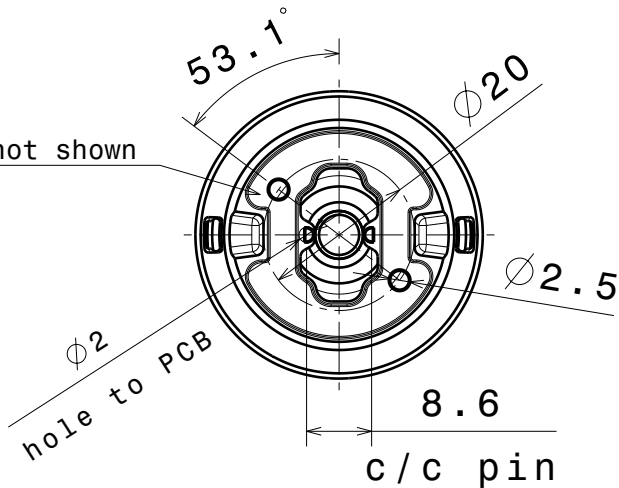
A

4

4

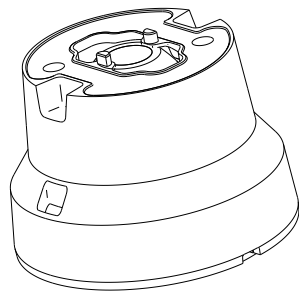
Tape not shown

Bottom view

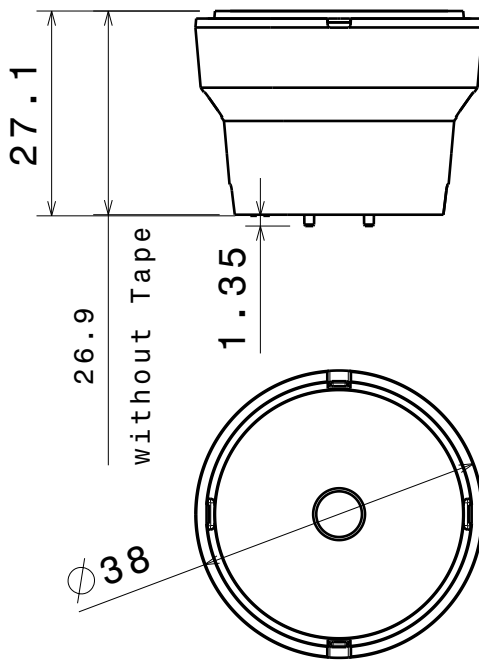


3

3



Front view



Top view

2

2

Materials:
 Lens PMMA
 Holder PC
 Tape PU Foam

This drawing is our property.
 It can't be reproduced
 or communicated without
 our written agreement.



L
T
F
F

e
e
i
i
N
n

d
h

DRAWING TITLE

Datasheet Iris-XP-E-tape assy

1

1

DRAWN BY

DATE

p

13.04.2010

CHECKED BY

DATE

t

k

19.03.2010

DESIGNED BY

DATE

ol

19.03.2010

SIZE

A4

DRAWING NUMBER

-

REV

1

SCALE

1:1

WEIGHT (g)

SHEET

1/1

D

A

D

C

B

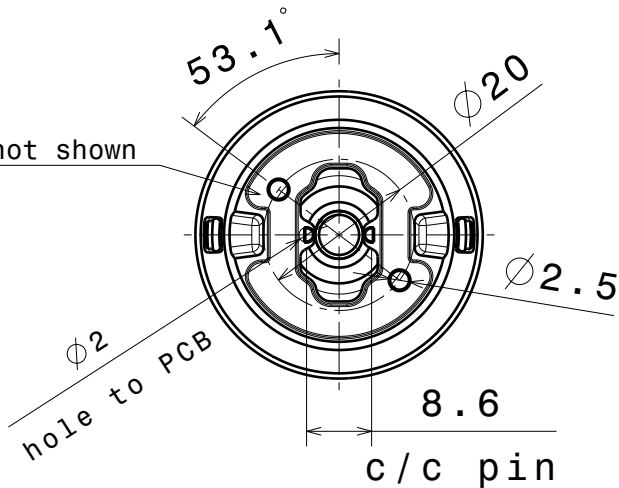
A

4

4

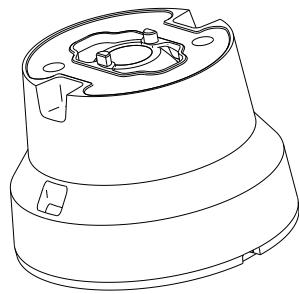
Tape not shown

Bottom view

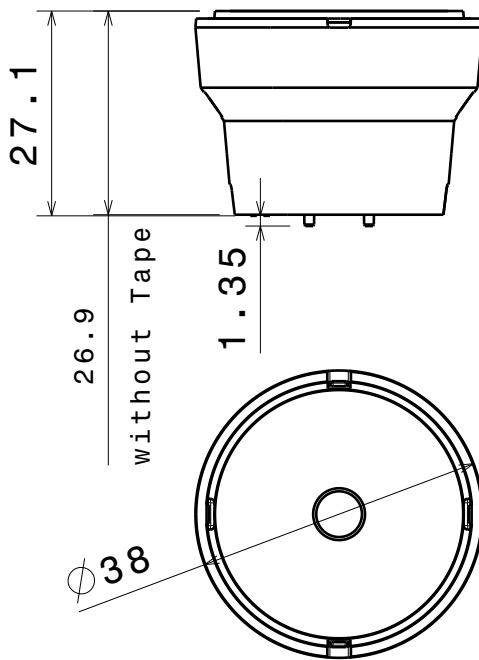


3

3



Front view



Top view

2

2

Materials:
 Lens PMMA
 Holder PC
 Tape PU Foam

This drawing is our property.
 It can't be reproduced
 or communicated without
 our written agreement.



L
T
F
F

e
e
i
i
N
n

d
h

DRAWING TITLE

Datasheet Iris-XP-E-tape assy

1

1

DRAWN BY

DATE

p

13.04.2010

CHECKED BY

DATE

t

k

19.03.2010

DESIGNED BY

DATE

ol

19.03.2010

SIZE

A4

DRAWING NUMBER

-

REV

1

SCALE

1:1

WEIGHT (g)

SHEET

1/1

D

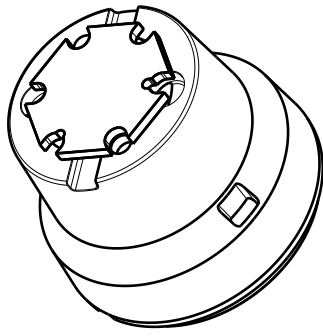
A

D

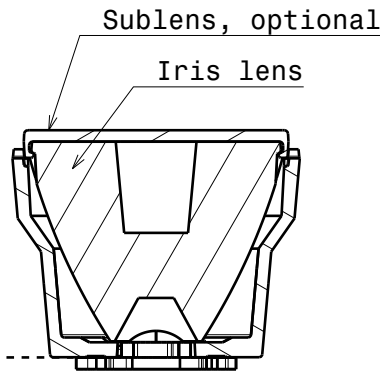
C

B

A

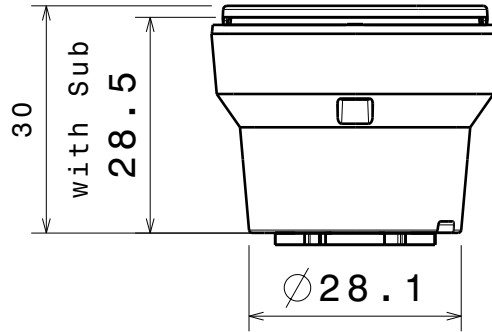


Isometric view

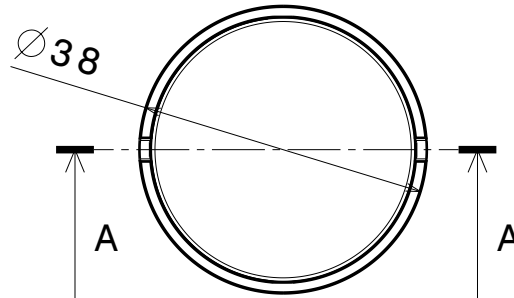


Section view A-A

Pcb top level



Front view



Top view

Materials:
 Lens PMMA
 Holder PC

Part no.s:
 Spot CA10861
 Medium CA10953
 Oval CA11470

This drawing is our property.
 It can't be reproduced
 or communicated without
 our written agreement.



L
T
F
F

e
e
i
i
N
n

d

DRAWING TITLE

Datasheet Iris MC/ Ostar assy

DRAWN BY

DATE

03.02.2009

CHECKED BY

DATE

02.02.2009

DESIGNED BY

DATE

26.01.2009

SIZE

A4

DRAWING NUMBER

-

REV

1

SCALE

1:1

WEIGHT (g)

SHEET

1/1

D

A

4

4

3

3

2

2

1

1

X-ON Electronics

Largest Supplier of Electrical and Electronic Components

Click to view similar products for [LED Lenses](#) category:

Click to view products by [Ledil](#) manufacturer:

Other Similar products are found below :

[131A-303G](#) [131A-304R](#) [139A-403R](#) [139A-403A](#) [160A-604R](#) [160A-604Y](#) [SMB_200_GTP](#) [SMQ_250_ATP](#) [SMS_172_RTP](#) [SQB_400_ATP](#)
[SSN-LX13049L-CD](#) [SSN-LX18754A](#) [SSN-LX18754C](#) [2817](#) [CLR_301_YTP](#) [CMC_313_ATP](#) [3121](#) [3124](#) [3125](#) [39-30-W03](#) [4344](#) [4623](#)
[4745](#) [4747](#) [3111](#) [3114](#) [3115](#) [3121](#) [3122](#) [3124](#) [3125](#) [4327](#) [4743](#) [4745](#) [4752](#) [4757](#) [SSN-LX690L1-C](#) [SQL_360_YTP](#) [SMQ_250_BTP](#) [3114](#)
[3113](#) [CMS444CTP](#) [1125-227-000](#) [4317](#) [4347](#) [4741](#) [4316](#) [4343](#) [4345](#) [4345](#)