



ELECTRONICS, INC.  
 44 FARRAND STREET  
 BLOOMFIELD, NJ 07003  
 (973) 748-5089  
<http://www.nteinc.com>



## NTE424 Non-Silicone Heat Sink Compound 1 oz. Plunger Tube

**Description:**

NTE424 heat sink compound is a grease-like, non-silicone, non-migrating material heavily impregnated with heat-conductive metal oxides. This formulation provides high thermal conductivity, low bleed and high temperature stability.

NTE424 has been engineered to solve the problems of contamination and migration associated with silicone-based products. A unique poly synthetic-based thermal grease use to insure quick, efficient heat transfer and dissipation for the full operational life of your hardware.

**Key Features and Benefits:**

- Non-Silicone Advantages/No Creep or Migration over Wide Temperature Range
- Low Interface Thermal Resistance (0.03°C-In<sup>2</sup>/W)
- High Thermal Conductivity, High Dielectric Strength
- Exceptionally Low Bleed and Evaporation
- Meets MIL-C-47113 & MIS-19846 Specifications
- Will Not harden, Dry-Out or Melt
- Will Not Contaminate Solder bath or Other Devices
- Non-Toxic
- Reworkable/Easy to Remove
- Easy to Dispense

**Typical Properties:**

Viscosity .....	Thixotropic Paste
Specific Gravity @ +25°C .....	2.7
Color .....	White
Evaporation @ +200°C, 24 Hours, %/Wt. ....	0.3
Thermal Conductivity, (ASTM D5470)	
Cal/Sec. Cm. °C .....	23 x 10 <sup>-4</sup>
BTU.In/(Hr.Ft <sup>2</sup> .°F) .....	6.9
W/m.°K .....	1.0
Thermal Resistance (°C-In <sup>2</sup> /W) .....	0.03

**Electrical Properties:**

Dielectric Strength (ASTM D150) 0.05" gap, V/mil .....	350
Dielectric Constant (ASTM D150) +25°C @ 1000Hz .....	4.65
Dissipation Factor (ASTM D150) +25°C @ 1000Hz .....	0.0026
Volume Resistivity (ASTM D257) Ohm-cm .....	1.8 x 10 <sup>14</sup>
Operating Temperature Range .....	-55° to +200°C

**Typical Applications:**

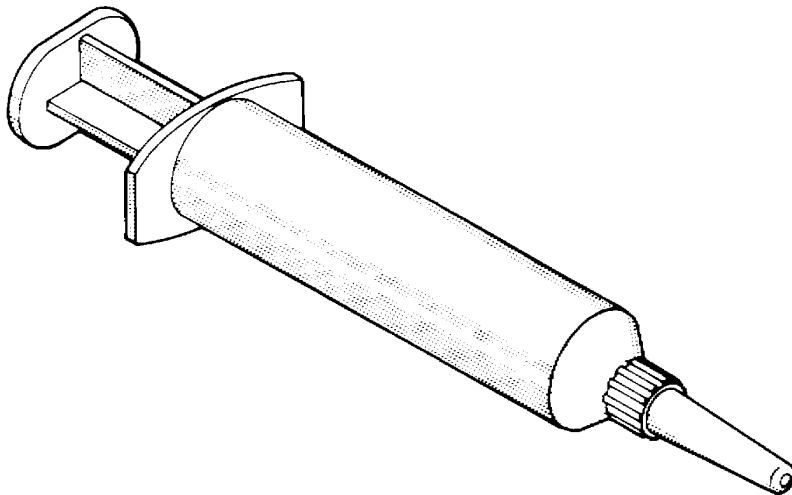
The NTE424 heat sink compound is applied to the base and mounting studs of transistors, diodes and silicon controlled rectifiers (SCRs). In these situations, a small amount of the thermal grease is applied using either the dispensing or screen printing/stencil methods. NTE424 can be used as a high-voltage corona suppressant/non-flammable coating, in connections for flyback transformers located in TV sets and similar design applications. It is also used in mounting semiconductor devices; thermoelectric modules; power transistors and diodes; coupling entire heat generating assemblies to chassis; heat transfer medium on ballasts; thermal joints; thermocouple wells; mounting power resistors; and for any devices where efficient cooling is required in major industries including: electronic (computer, appliance, wireless, etc.), automotive and electrical.

**Shelf-Life:**

The NTE424 has a shelf-life of 5 years at room temperature (+25°C) in unopened containers. Slight settling of the filler may occur during long-term storage. In this case, it is recommended to re-disperse the filler by hand or mechanical mixing. Refrigerate material at 0° to +10°C to avoid any settling.

**Clean-Up:**

Standard approved clean-up and disposal procedures should be followed in every situation. The use of disposable containers and utensils are recommended whenever possible to simplify and expedite clean-up. However, when disposable containers are impractical, NTE424 can be removed by cleaning solvents such as Mineral Spirit (Paint Thinner), Heptane or Isopropyl Alcohol.



## X-ON Electronics

Largest Supplier of Electrical and Electronic Components

*Click to view similar products for [Thermal Interface Products](#) category:*

*Click to view products by [NTE manufacturer](#):*

Other Similar products are found below :

[63072-2-4013](#) [64442-1-7612](#) [FGN80-2](#) [PFM-172-60](#) [95778-1-5171](#) [A-40](#) [ACDIN4001-01-S](#) [APA502-80-001](#) [188761F00000G](#) [95779-1-5171](#) [9601-7](#) [9614-2-4013](#) [189790F00000](#) [189951F00000G](#) [2103-4-7320](#) [CN9565-000](#) [31570-2-4013](#) [LZ24-1](#) [4103G](#) [450-20-0025](#) [5300AC](#) [1.500G](#) [53-77-13ACG](#) [450-20-0017](#) [4949G](#) [08121](#) [08133](#) [08151](#) [08188](#) [08196](#) [10637-4-1040](#) [54476-2-4013](#) [71883-2-4053](#) [188651F00000G](#) [64445-1-7612](#) [66786-4-7320](#) [TP0001](#) [4952G](#) [4860](#) [450-20-0148](#) [88601-2-2929](#) [SC80-W2](#) [09450-M45](#) [09362-M45](#) [V6516C](#) [A17713-05](#) [A17690-06](#) [A17690-10](#) [A17690-05](#) [A17690-03](#) [A17775-05](#)