



ELECTRONICS, INC.
 44 FARRAND STREET
 BLOOMFIELD, NJ 07003
 (973) 748-5089
<http://www.nteinc.com>

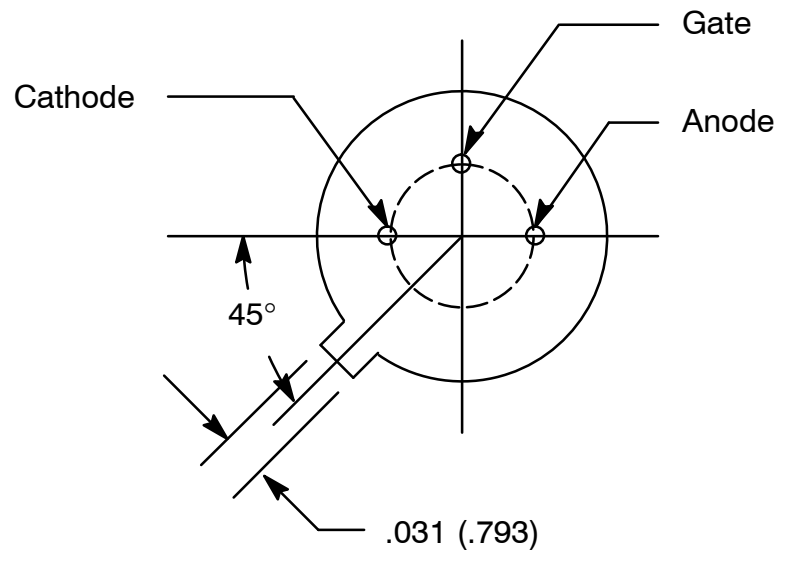
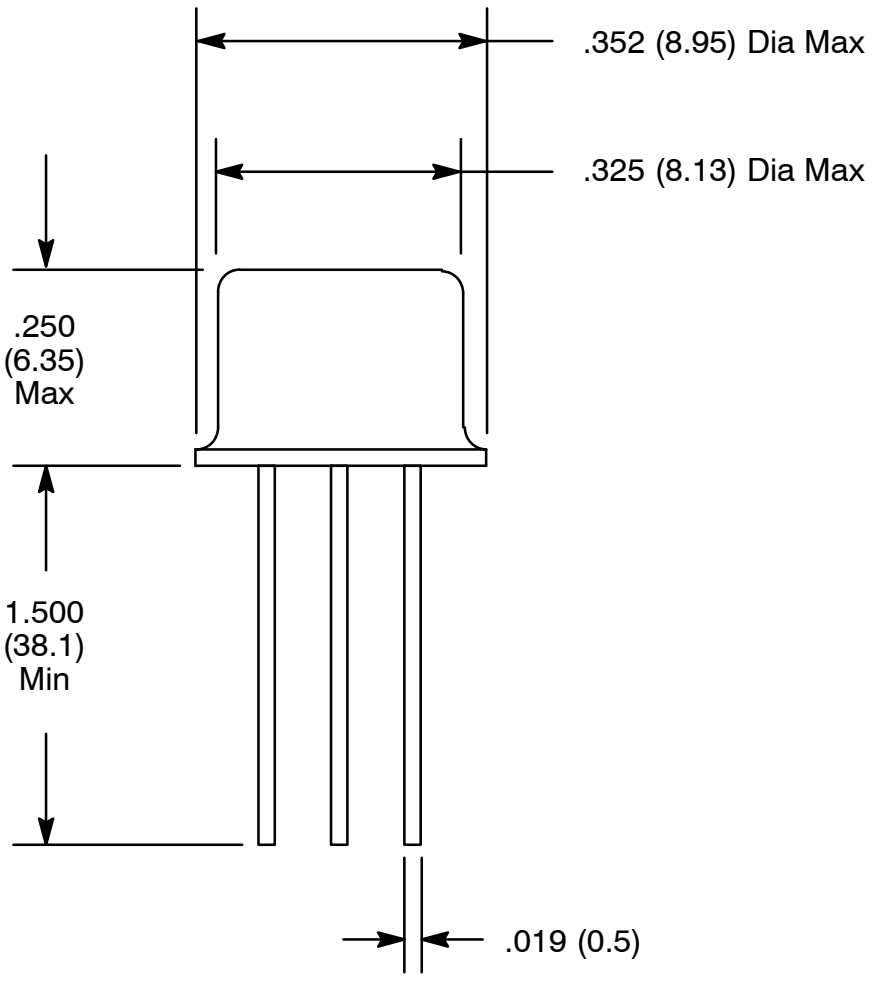
NTE5427 thru NTE5429 Silicon Controlled Rectifier (SCR) 7 Amp, TO5

Absolute Maximum Ratings:

Repetitive Peak Reverse Voltage ($T_C = +110^\circ\text{C}$), V_{RRM}	
NTE5427	200V
NTE5428	400V
NTE5429	600V
Repetitive Peak Off-State Voltage ($T_C = +110^\circ\text{C}$), V_{DRM}	
NTE5427	200V
NTE5428	400V
NTE5429	600V
RMS On-State Current ($T_C = +80^\circ\text{C}$, Conduction Angle of 180°), $I_{T(RMS)}$	
7A	
Peak Surge (Non-Repetitive) On-State Current (One Cycle at 50 or 60Hz), I_{TSM}	
80A	
Peak Gate-Trigger Current ($3\mu\text{s Max}$), I_{GTM}	
1A	
Peak Gate-Power Dissipation ($I_{GT} \leq I_{GTM}$), P_{GM}	
20W	
Average Gate Power Dissipation, $P_{G(AV)}$	
500mW	
Operating Temperature Range, T_{opr}	
-40° to $+110^\circ\text{C}$	
Storage Temperature Range, T_{stg}	
-40° to $+150^\circ\text{C}$	
Typical Thermal Resistance, Junction-to-Case, R_{thJC}	
2.5°C/W	

Electrical Characteristics: ($T_C = +25^\circ\text{C}$ unless otherwise specified)

Parameter	Symbol	Test Conditions	Min	Typ	Max	Unit
Peak Off-State Current	I_{RRM}	$V_{RRM} = \text{Max}, V_{DRM} = \text{Max},$ $T_C = +110^\circ\text{C}, R_{GK} = 1\text{k}\Omega$	-	-	1	mA
	I_{DRM}		-	-	1	mA
Maximum On-State Voltage	V_{TM}	$I_T = 7\text{A}$	-	-	2	V
DC Holding Current	I_{HOLD}		-	-	50	mA
DC Gate-Trigger Current	I_{GT}	$V_D = 6\text{VDC}, R_L = 100\Omega$	-	-	25	mA
DC Gate-Trigger Voltage	V_{GT}	$V_D = 6\text{VDC}, R_L = 100\Omega$	-	-	1.5	V
Gate Controlled Turn-On Time	t_{gt}	$I_G \times 3\text{GT}$	-	2	-	μs
I^2t for Fusing Reference	I^2t	For SCR Protection	-	-	2.6	A^2sec
Critical Rate of Off-State Voltage	dv/dt (critical)	Gate Open, $T_C = +100^\circ\text{C}$	-	100	-	$\text{V}/\mu\text{s}$



X-ON Electronics

Largest Supplier of Electrical and Electronic Components

Click to view similar products for [SCRs](#) category:

Click to view products by [NTE](#) manufacturer:

Other Similar products are found below :

[NTE5428](#) [NTE5448](#) [NTE5457](#) [NTE5511](#) [T1500N16TOF VT](#) [T720N18TOF](#) [T880N14TOF](#) [T880N16TOF](#) [TS110-7UF](#) [TT104N12KOF-A](#)
[TT104N12KOF-K](#) [TT162N16KOF-A](#) [TT162N16KOF-K](#) [TT330N16AOF](#) [VS-16RIA100](#) [VS-22RIA20](#) [VS-2N5206](#) [VS-2N685](#) [VS-](#)
[40TPS08A-M3](#) [VS-ST230S12P1VPBF](#) [057219R](#) [CLB30I1200HB](#) [T1190N16TOF VT](#) [T1220N22TOF VT](#) [T201N70TOH](#) [T830N18TOF](#)
[TD92N16KOF-A](#) [TT250N12KOF-K](#) [VS-2N692](#) [VS-2N689](#) [VS-25RIA40](#) [VS-16RIA120](#) [VS-10RIA120](#) [VS-30TPS08PBF](#) [NTE5427](#)
[NTE5442](#) [VS-2N690](#) [VS-ST300S20P0PBF](#) [TT251N16KOF-K](#) [VS-22RIA100](#) [VS-16RIA40](#) [CR02AM-8#F00](#) [VS-ST110S12P0VPBF](#)
[TD250N16KOF-A](#) [VS-ST110S16P0](#) [VS-10RIA10](#) [VS-16TTS08-M3](#) [TS110-7A1-AP](#) [T930N36TOF VT](#) [T2160N24TOF VT](#)