



**ELECTRONICS, INC.**  
 44 FARRAND STREET  
 BLOOMFIELD, NJ 07003  
 (973) 748-5089

## NTE552 Silicon Rectifier General Purpose, Fast Recovery

**Features:**

- Low Cost
- Low Leakage
- Low Forward Voltage Drop
- High Current Capability
- Supplied in DO41 Package

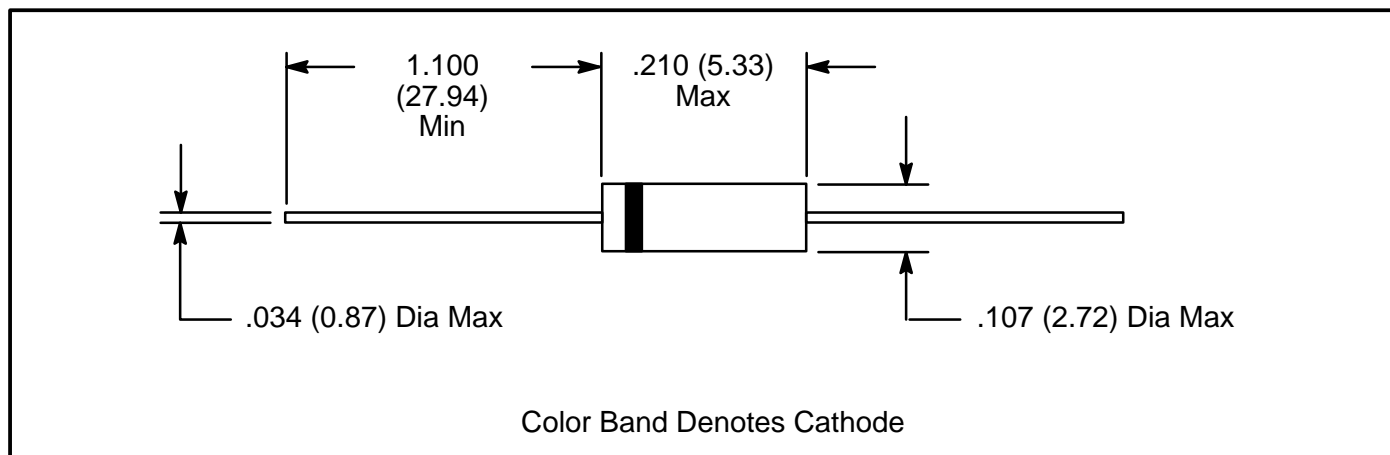
**Maximum Ratings and Electrical Characteristics:**

(Ratings at 26°C ambient temperature unless otherwise noted. Single phase, half wave, 60Hz, resistive or inductive load. For capacitive load, derate current by 20%)

Maximum Recurrent Peak Reverse Voltage	600V
Maximum RMS Voltage	420V
Maximum DC Blocking Voltage	600V
Maximum Average Forward Rectified Current (.375" (9.5mm) Lead Length at T <sub>A</sub> = +75°C)	1A
Peak Forward Surge Current (8.3ms Single Half Sine-Wave Superimposed on Rated Load)	50A
Maximum Instantaneous Forward Voltage at 1A DC	1.2V
Maximum DC Reverse Current at Rated DC Blocking Voltage (T <sub>A</sub> = +25°C)	5.0µA
Maximum Full Load Reverse Current (Full Cycle Average (.375" (9.5mm) Lead Length at T <sub>L</sub> = +55°C)	100µA
Maximum Reverse Recovery Time (Note 1)	200nS
Typical Junction Capacitance (Note 2)	15pF
Operating Junction Temperature Range, T <sub>J</sub>	-65° to +175°C
Storage Temperature Range, T <sub>stg</sub>	-65° to +175°C

Note 1. Reverse Recovery Test Conditions: I<sub>F</sub> = 1A, V<sub>R</sub> = 30V

Note 2. Measured at 1MHz and applied reverse voltage of 4 volts.



## X-ON Electronics

Largest Supplier of Electrical and Electronic Components

*Click to view similar products for [nte manufacturer](#):*

Other Similar products are found below :

[747](#) [797](#) [868](#) [1724](#) [NEH680M50FE](#) [NEHH1.0M450CB](#) [NTE48](#) [NTE526A](#) [228A](#) [231](#) [954](#) [2023](#) [510](#) [R04-11A30-120](#) [04-SLPE3750A](#)  
[5615](#) [591](#) [7056](#) [NTE5710](#) [7448](#) [NEH.10M50AA](#) [NEH2.2M63AA](#) [NEH330M35DD](#) [NEH33M10AA](#) [NEV.22M100AA](#) [TP0006-100](#)  
[NTE182](#) [NTE528](#) [NTE542](#) [NTE74154](#) [WH20-02-25](#) [04-SCBW25L-BK](#) [04-SCBW32L-BK](#) [04-SCW10C-BK](#) [04-SCBW19L-GR](#) [04-](#)  
[SCW19L-WH](#) [04-SCW19L-OR](#) [04-SCW38L-WH](#) [04-SCBW50L-OR](#) [04-SCBW50L-GR](#) [04-SCW10C-GR](#) [04-SCW10C-OR](#) [04-SCBW32L-](#)  
[GR](#) [04-SCBW32L-WH](#) [04-SCBW32L-OR](#) [04-SCBW6C-WH](#) [04-SCBW6C-GR](#) [04-SCBW6C-OR](#) [04-SCBW25L-GR](#) [04-SCBW25L-WH](#)