

NTE558 General Purpose Silicon Rectifier

Description:

The NTE558 is a general purpose silicon rectifier in a DO41 type case designed for low high voltage fast recovery applications.

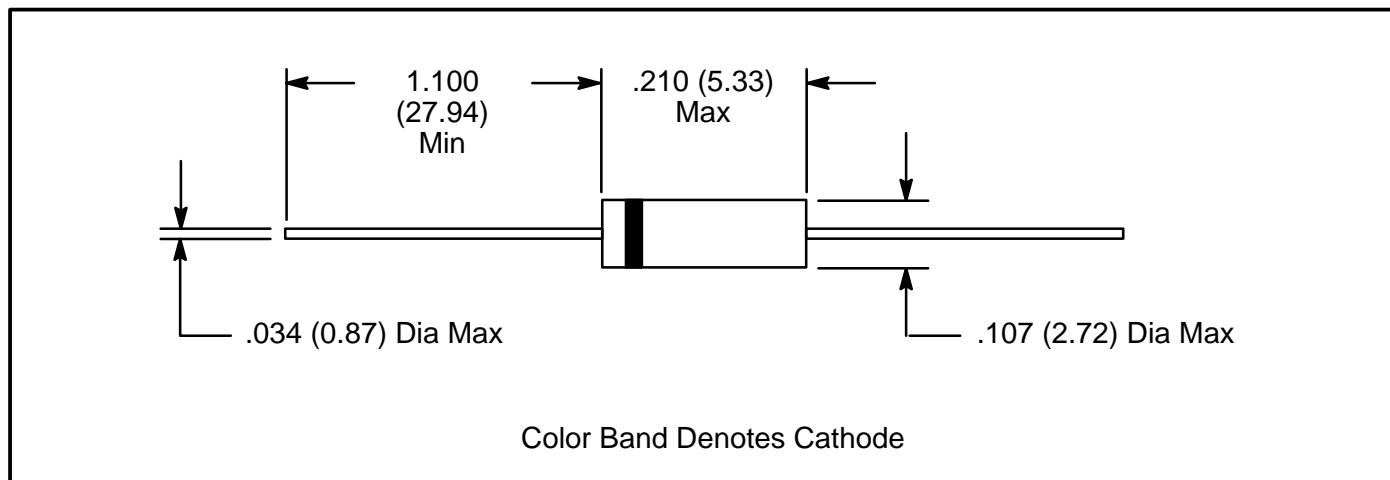
Maximum Ratings:

Peak Repetitive Reverse Voltage, V_{RRM} 1500V
 DC Blocking Voltage, V_R 1500V
 RMS Reverse Voltage, $V_{R(RMS)}$ 1050V
 Average Rectified Forward Current, I_O
 (Single Phase, Resistive Load, 60Hz, $T_A = +75^\circ\text{C}$) 1A
 Peak Forward Surge Current, I_{FSM}
 (8.3ms Single Half Sine-Wave Superimposed on Rated Load) 50A
 Operating Junction Temperature Range, T_J -65° to $+175^\circ\text{C}$
 Storage Temperature Range, T_{stg} -65° to $+175^\circ\text{C}$

Electrical Characteristics: ($T_A = +25^\circ\text{C}$ unless otherwise specified. Single Phase, Half Wave, 60Hz, Resistive or Inductive Load)

Parameter	Symbol	Test Conditions	Min	Typ	Max	Unit
Maximum Instantaneous Forward Voltage Drop	V_F	$I_O = 1A, T_J = +25^\circ\text{C}$	-	-	1.3	V
Maximum DC Reverse Current	I_R	$V_R = 1500V, T_A = +25^\circ\text{C}$	-	-	5	μA
Maximum Full-Cycle Average Reverse Current	$I_{R(AV)}$	Full Cycle, $T_L +55^\circ\text{C}$, .375" (9.5mm) lead length	-	-	100	μA
Maximum Reverse Recovery Time	t_{rr}	$I_F = 500\text{mA}, I_R = 1A, I_{RR} = 250\text{mA}$	-	-	250	ns
Typical Junction capacitance	C	Note 1	-	20	-	pF

Note 1. Measured at 1MHz and applied reverse voltage of 4V.



X-ON Electronics

Largest Supplier of Electrical and Electronic Components

Click to view similar products for [nte manufacturer](#):

Other Similar products are found below :

[747](#) [797](#) [868](#) [1724](#) [NEH680M50FE](#) [NEHH1.0M450CB](#) [NTE48](#) [NTE526A](#) [228A](#) [231](#) [954](#) [2023](#) [510](#) [R04-11A30-120](#) [04-SLPE3750A](#)
[5615](#) [591](#) [7056](#) [NTE5710](#) [7448](#) [NEH.10M50AA](#) [NEH2.2M63AA](#) [NEH330M35DD](#) [NEH33M10AA](#) [NEV.22M100AA](#) [TP0006-100](#)
[NTE182](#) [NTE528](#) [NTE542](#) [NTE74154](#) [WH20-02-25](#) [04-SCBW25L-BK](#) [04-SCBW32L-BK](#) [04-SCW10C-BK](#) [04-SCBW19L-GR](#) [04-](#)
[SCW19L-WH](#) [04-SCW19L-OR](#) [04-SCW38L-WH](#) [04-SCBW50L-OR](#) [04-SCBW50L-GR](#) [04-SCW10C-GR](#) [04-SCW10C-OR](#) [04-SCBW32L-](#)
[GR](#) [04-SCBW32L-WH](#) [04-SCBW32L-OR](#) [04-SCBW6C-WH](#) [04-SCBW6C-GR](#) [04-SCBW6C-OR](#) [04-SCBW25L-GR](#) [04-SCBW25L-WH](#)